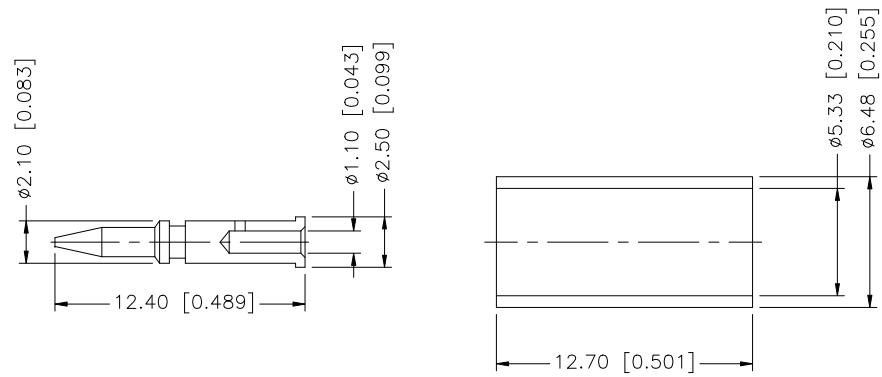
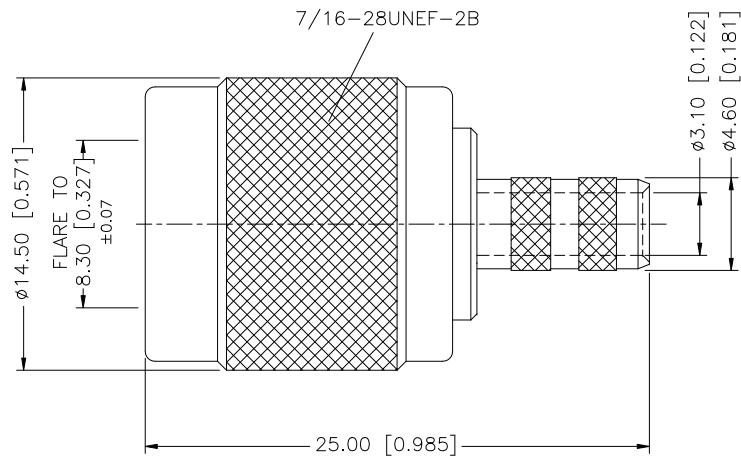
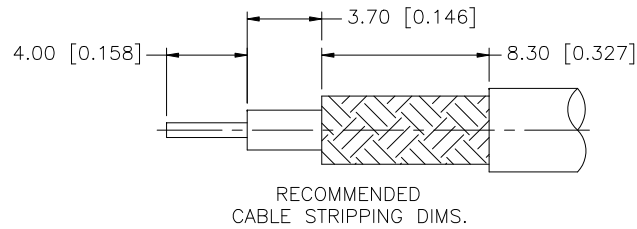


REV.	DATE	ECR NO.	DESCRIPTION
A	12/23/02	-	MODIFY CONTACT PIN LENGTH TO 12.25mm
B	07/16/08	-	MODIFY CONTACT PIN LENGTH TO 12.40mm



NOTE:

1. CRIMPED FERRULE HEX CRIMP SIZE .213" [5.41]
2. CRIMPED CONTACT PIN HEX CRIMP SIZE .068" [1.73]

DESCRIPTION	MATERIAL	FINISH	QTY	DO NOT SCALE DRAWING	APPROVALS	DATE	<h1 style="color: blue; margin: 0;">Amphenol Connex</h1> <p style="margin: 0;">PART DESCRIPTION TNC STRAIGHT CRIMP PLUG-CAPTIVE CONTACT (FOR RG-58/U CABLE)</p> <p style="margin: 0;">PART NO. 122108</p> <p style="margin: 0;">DWG. NO. 122108.DWG REV. B SIZE A SCALE NA</p>	
8				<small>UNLESS OTHERWISE SPECIFIED DIMENSIONS ARE IN MILLIMETERS. DIMENSIONS IN [] ARE IN INCHES AND FOR CUSTOMER REFERENCE ONLY.</small> <small>UNLESS OTHERWISE SPECIFIED TOLERANCES FOR MILLIMETERS ARE:</small> 0.5 - 8mm ± 0.20mm 8 - 30mm ± 0.40mm 30 - 120mm ± 0.50mm <small>UNLESS OTHERWISE SPECIFIED TOLERANCES FOR INCHES ARE:</small> .020 - .315 = ± 0.007" .315 - 1.180 = ± 0.015" 1.180 - 4.724 = ± 0.020"				
7					DRAWN	G.R.S.		07/16/08
6					CHECKED			
5	FERRULE	BRASS	NICKEL		1	ISSUED		
4	GASKET	RUBBER	RED		1	SHEET	1 OF 1	
3	INSULATOR	DELTRIN	NATURAL	1	CAD FILE	C:/122/122108.DWG		
2	CONTACT PIN	BRASS	GOLD	1				
1	SHELL/BODY	BRASS	NICKEL	1				

Mouser Electronics

Authorized Distributor

Click to View Pricing, Inventory, Delivery & Lifecycle Information:

[Amphenol:](#)

[122108](#)