

CDCM9102 Low-Noise Two-Channel 100-MHz Clock Generator

1 Features

- Integrated Low-Noise Clock Generator Including PLL, VCO, and Loop Filter
- Two Low-Noise 100-MHz Clocks (LVPECL, LVDS, or pair of LVCMOS)
 - Support for HCSL Signaling Levels (AC-Coupled)
 - Typical Period Jitter: 21 ps pk-pk
 - Typical Random Jitter: 510 fs RMS
 - Output Type Set by Pins
- Bonus Single-Ended 25-MHz Output
- Integrated Crystal Oscillator Input Accepts 25-MHz Crystal
- Output Enable Pin Shuts Off Device and Outputs
- 5-mm x 5-mm 32-Pin VQFN Package
- ESD Protection Exceeds 2000 V HBM, 500 V CDM
- Industrial Temperature Range (–40°C to 85°C)
- 3.3-V Power Supply

2 Applications

- Reference Clock Generation for PCI Express Gen 1, Gen 2, and Gen 3
- General-Purpose Clocking

3 Description

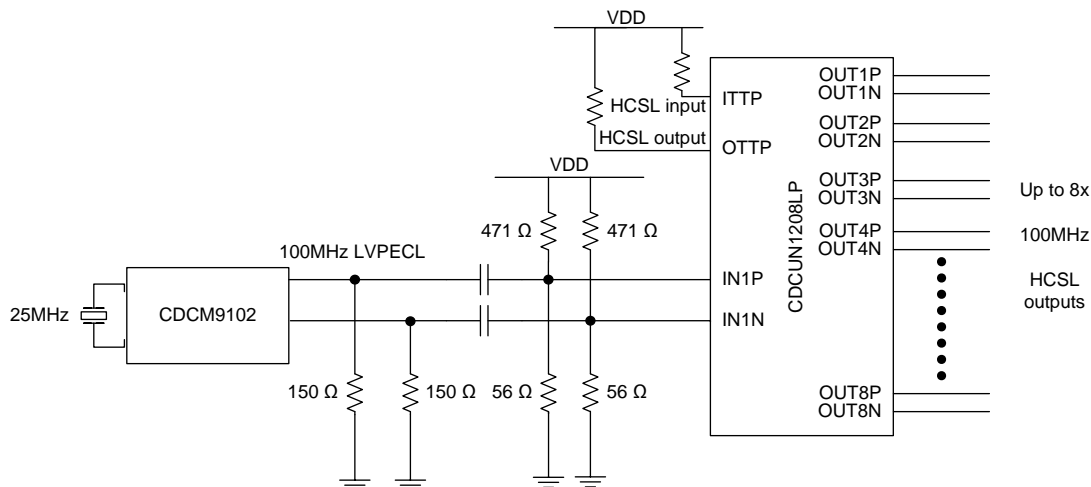
The CDCM9102 is a low-jitter clock generator designed to provide reference clocks for communications standards such as PCI Express™. The device supports up to PCIe gen3 and is easy to configure and use. The CDCM9102 provides two 100-MHz differential clock ports. The output types supported for these ports include LVPECL, LVDS, or a pair of LVCMOS buffers. HCSL signaling is supported using an AC-coupled network. The user configures the output buffer type desired by strapping device pins. Additionally, a single-ended 25-MHz clock output port is provided. Uses for this port include general-purpose clocking, clocking Ethernet PHYs, or providing a reference clock for additional clock generators. All clocks generated are derived from a single external 25-MHz crystal.

Device Information⁽¹⁾

PART NUMBER	PACKAGE	BODY SIZE (NOM)
CDCM9102	VQFN (32)	5.00 mm x 5.00 mm

(1) For all available packages, see the orderable addendum at the end of the data sheet.

Simplified Schematic



Copyright © 2016, Texas Instruments Incorporated



Table of Contents

1 Features 1 2 Applications 1 3 Description 1 4 Revision History 2 5 Device Comparison Table 3 6 Pin Configuration and Functions 3 7 Specifications 5 7.1 Absolute Maximum Ratings 5 7.2 ESD Ratings..... 5 7.3 Recommended Operating Conditions 5 7.4 Thermal Information 5 7.5 Electrical Characteristics..... 6 7.6 Timing Requirements 7 7.7 Typical Characteristics 7 8 Parameter Measurement Information 8 8.1 Test Configurations 8 9 Detailed Description 10 9.1 Overview 10 9.2 Functional Block Diagrams 10	9.3 Feature Description..... 10 9.4 Device Functional Modes 10 9.5 Programming..... 12 10 Application and Implementation 13 10.1 Application Information..... 13 10.2 Typical Application 16 11 Power Supply Recommendations 19 11.1 Thermal Management 19 11.2 Power Supply Filtering 19 12 Layout 20 12.1 Layout Guidelines 20 12.2 Layout Example 20 13 Device and Documentation Support 21 13.1 Community Resources..... 21 13.2 Trademarks 21 13.3 Electrostatic Discharge Caution..... 21 13.4 Glossary 21 14 Mechanical, Packaging, and Orderable Information 21
--	---

4 Revision History

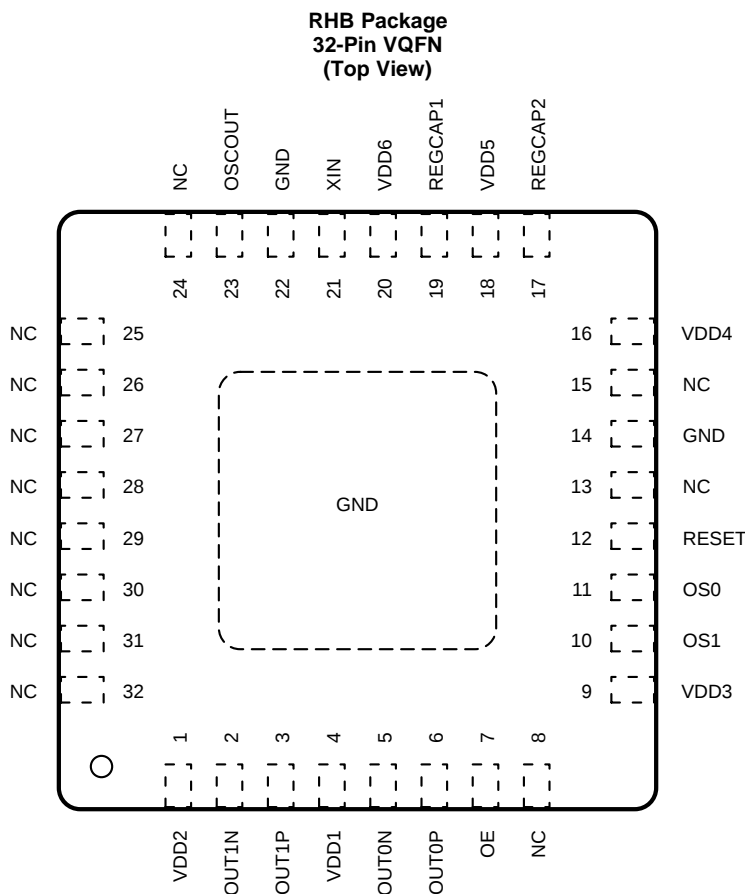
NOTE: Page numbers for previous revisions may differ from page numbers in the current version.

Changes from Original (February 2012) to Revision A	Page
• Added <i>ESD Ratings</i> table, <i>Feature Description</i> section, <i>Device Functional Modes</i> , <i>Application and Implementation</i> section, <i>Power Supply Recommendations</i> section, <i>Layout</i> section, <i>Device and Documentation Support</i> section, and <i>Mechanical, Packaging, and Orderable Information</i> section	1
• Added text to <i>Description</i> : The device supports up to PCIE gen3 and is	1
• Changed part number to 1134 25M0000000	11
• Changed part number to FP2500002.....	11
• Added text and Figure 16 to <i>PCI Express Applications</i>	15

5 Device Comparison Table

PACKAGED DEVICES	FEATURES	T _A
CDCM9102RHBT	32-pin VQFN (RHB) package, small tape and reel	–40°C to 85°C
CDCM9102RHBR	32-pin VQFN (RHB) package, tape and reel	

6 Pin Configuration and Functions



Pin Functions

PIN		TYPE ⁽¹⁾	DESCRIPTION
NAME	NO.		
POWER SUPPLIES			
GND	Thermal pad, 14, 22	G	Power supply ground and thermal relief
REGCAP1	19	P	Capacitor for internal regulator, connect 10-μF Y5V capacitor to GND
REGCAP2	17	P	Capacitor for internal regulator, connect 10-μF Y5V capacitor to GND
VDD1	4	P	Power Supply, OUT0 clock port
VDD2	1	P	Power Supply, OUT1 clock port
VDD3	9	P	Power supply, low-noise clock generator
VDD4	16	P	Power supply, low-noise clock generator
VDD5	18	P	Power supply, low-noise clock generator
VDD6	20	P	Power supply, crystal oscillator input

(1) G = Ground, I = Input, O = Output, P = Power

Pin Functions (continued)

PIN		TYPE ⁽¹⁾	DESCRIPTION
NAME	NO.		
DEVICE CONFIGURATION AND CONTROL			
NC	8, 13, 15, 24–32	—	No connection permitted
OE	7	O	Output enable/shutdown control input (see Table 2)
OS1	10	O	Output format select control inputs (see Table 3)
OS0	11	O	Output format select control inputs (see Table 3)
RESET	12	I	Device reset input (active-low) (see Table 4) ⁽²⁾
CRYSTAL OSCILLATOR			
XIN	21	I	Parallel resonant crystal input (25 MHz)
DEVICE OUTPUTS			
OSCOU	23	O	Oscillator output port (25 MHz)
OUT0N	5	O	Output 0 – negative terminal (100 MHz)
OUT0P	6	O	Output 0 – positive terminal (100 MHz)
OUT1N	2	O	Output 1 – negative terminal (100 MHz)
OUT1P	3	O	Output 1 – positive terminal (100 MHz)

(2) For proper device startup, it is recommended that a capacitor be installed from pin 12 to GND. See [Start-Up Time Estimation](#) for more details.

7 Specifications

7.1 Absolute Maximum Ratings

over operating free-air temperature range (unless otherwise noted)⁽¹⁾

		MIN	MAX	UNIT
I_{IN}	Input current		20	mA
I_{OUT}	Output current		50	mA
V_{DDx}	Supply voltage ⁽²⁾	-0.5	4.6	V
V_{IN}	Input voltage ⁽³⁾	-0.5	$V_{DDx} + 0.5$	V
V_{OUT}	Output voltage ⁽³⁾	-0.5	$V_{DDx} + 0.5$	V
T_A	Operating temperature		85	°C
T_{stg}	Storage temperature	-65	150	°C

- (1) Stresses beyond those listed under *Absolute Maximum Ratings* may cause permanent damage to the device. These are stress ratings only, which do not imply functional operation of the device at these or any other conditions beyond those indicated under *Recommended Operating Conditions*. Exposure to absolute-maximum-rated conditions for extended periods may affect device reliability.
- (2) Supply voltages must be applied simultaneously.
- (3) The input and output negative voltage ratings may be exceeded if the input and output clamp-current ratings are observed

7.2 ESD Ratings

		VALUE	UNIT
$V_{(ESD)}$	Electrostatic discharge	Human-body model (HBM), per ANSI/ESDA/JEDEC JS-001 ⁽¹⁾	±2000
		Charged-device model (CDM), per JEDEC specification JESD22-C101 ⁽²⁾	±500

- (1) JEDEC document JEP155 states that 500-V HBM allows safe manufacturing with a standard ESD control process.
- (2) JEDEC document JEP157 states that 250-V CDM allows safe manufacturing with a standard ESD control process.

7.3 Recommended Operating Conditions

		MIN	NOM	MAX	UNIT
V_{DDX}	DC power-supply voltage	3	3.3	3.6	V
T_A	Ambient temperature	-40		85	°C

7.4 Thermal Information

THERMAL METRIC ⁽¹⁾⁽²⁾	CDCM9102	UNIT	
	RHB (VQFN)		
	32 PINS		
$R_{\theta JA}$	Junction-to-ambient thermal resistance	33.1	°C/W
$R_{\theta JC(top)}$	Junction-to-case (top) thermal resistance	25.7	°C/W
$R_{\theta JB}$	Junction-to-board thermal resistance	0.3	°C/W
Ψ_{JT}	Junction-to-top characterization parameter	7.1	°C/W
Ψ_{JB}	Junction-to-board characterization parameter	2	°C/W
$R_{\theta JC(bot)}$	Junction-to-case (bottom) thermal resistance	6.12	°C/W

- (1) For more information about traditional and new thermal metrics, see the *Semiconductor and IC Package Thermal Metrics* application report, [SPRA953](#).
- (2) 4 × 4 Vias on Pad.

7.5 Electrical Characteristics

over operating free-air temperature range (unless otherwise noted)

PARAMETER		TEST CONDITIONS	MIN	TYP	MAX	UNIT
LVC MOS INPUTS⁽¹⁾						
V _{IH}	Input high voltage		0.6 × V _{DD}			V
V _{IL}	Input low voltage			0.4 × V _{DD}		V
I _{IH}	Input high current	V _{DD} = 3.6 V, V _{IL} = 0 V			200	μA
I _{IL}	Input low current	V _{DD} = 3 V, V _{IH} = 3.6 V			–200	μA
C _{IN}	Input capacitance			8	10	pF
R _{PU}	Input pullup resistor			150		kΩ
CRYSTAL CHARACTERISTICS (XIN)⁽²⁾						
f _{XTAL}	Crystal input frequency	Fundamental mode		25		MHz
ESR	Effective series resistance of crystal				50	Ω
C _{IN}	On-chip load capacitance			8	10	pF
XTAL _{DL}	Maximum drive level - XTAL		0.1		1	mW
C _{SHUNT}	Maximum shunt capacitance				7	pF
CLOCK OUTPUT BUFFER (OUTPUT MODE = LVPECL)⁽³⁾						
V _{OH}	Output high voltage		V _{DD} – 1.18	V _{DD} – 0.73		V
V _{OL}	Output low voltage		V _{DD} – 2	V _{DD} – 1.55		V
V _{OD}	Differential output voltage		0.6		1.23	V
t _R and t _F	Output rise and fall time	20% to 80%			175	ps
ODC	Output duty cycle		45%		55%	
t _{SKEW}	Skew between outputs				20	ps
CLOCK OUTPUT BUFFER (OUTPUT MODE = LVDS)⁽⁴⁾						
V _{OD}	Differential output voltage		0.247		0.454	V
ΔV _{OD}	V _{OD} magnitude change				50	mV
V _{OS}	Common-mode voltage		1.125		1.375	V
ΔV _{OS}	V _{OS} magnitude change				50	mV
t _R and t _F	Output rise and fall time	20% to 80%			255	ps
ODC	Output duty cycle		45%		55%	
t _{SKEW}	Skew between outputs				30	ps
CLOCK OUTPUT BUFFER (OUTPUT MODE = LVCMOS)⁽⁵⁾						
V _{OH}	Output high voltage	V _{CC} = 3 V to 3.6 V, I _{OH} = –100 μA	V _{DD} – 0.5			V
V _{OL}	Output low voltage	V _{CC} = 3 V to 3.6 V, I _{OH} = 100 μA			0.3	V
t _{SLEW}	Output rise/fall slew rate	20% to 80%		2.4		V/ns
ODC	Output duty cycle		45%		55%	
t _{SKEW}	Skew between outputs				50	ps

 (1) LVC MOS inputs at T_A = –40°C to 85°C

 (2) Crystal characteristics for external 25 MHz crystal with V_{DD} = 3.3 V, T_A = –40°C to 85°C

 (3) Clock output buffer with output mode = LVPECL at VDD1, VDD2 = 3.3 V; T_A = –40°C to 85°C

 (4) Clock output buffer with output mode = LVDS at VDD1, VDD2 = 3.3 V; T_A = –40°C to 85°C

 (5) Clock output buffer with output mode = LVCMOS at VDD1, VDD2 = 3.3 V; T_A = –40°C to 85°C

7.6 Timing Requirements

$f_{OUT} = 100 \text{ MHz}$, $V_{DD} = 3.3 \text{ V}$, $T_A = 25^\circ\text{C}$, and jitter integration bandwidth between 10 kHz and 20 MHz (unless otherwise noted)

	MIN	TYP	MAX	UNIT
LVCMOS OUTPUT MODE				
Random jitter			507	fs RMS
Period jitter			24.5	ps pk-pk
LVPECL OUTPUT MODE				
Random jitter			510	fs RMS
Period jitter			20.7	ps pk-pk
LVDS OUTPUT MODE				
Random jitter			533	fs RMS
Period jitter			26.5	ps pk-pk

7.7 Typical Characteristics

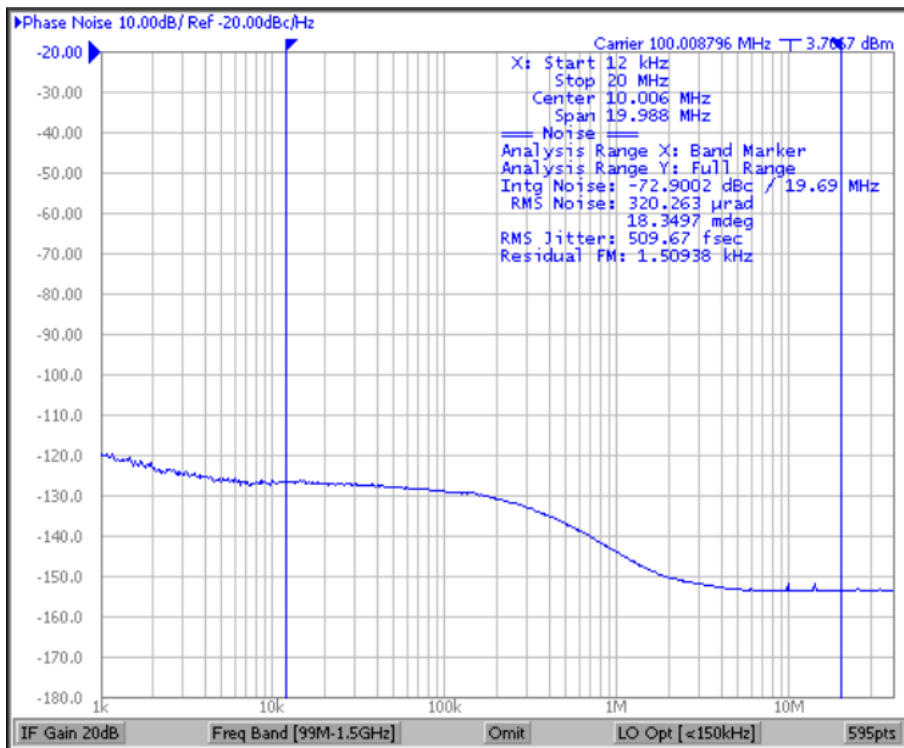


Figure 1. CDCM9102 Typical Phase Noise Performance (LVPECL Mode)

8 Parameter Measurement Information

8.1 Test Configurations

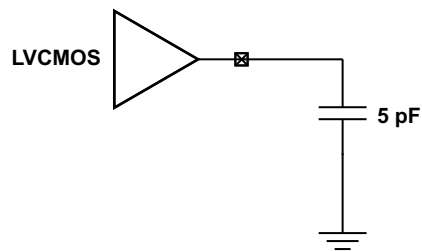


Figure 2. LVC MOS Output Test Load

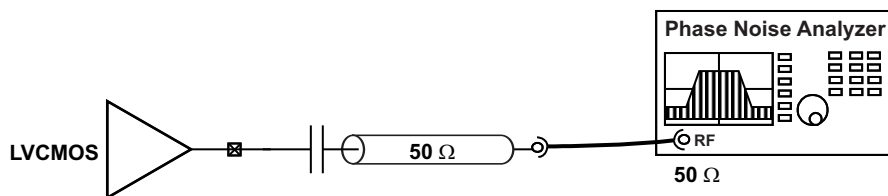


Figure 3. LVC MOS AC Configuration for Device Test

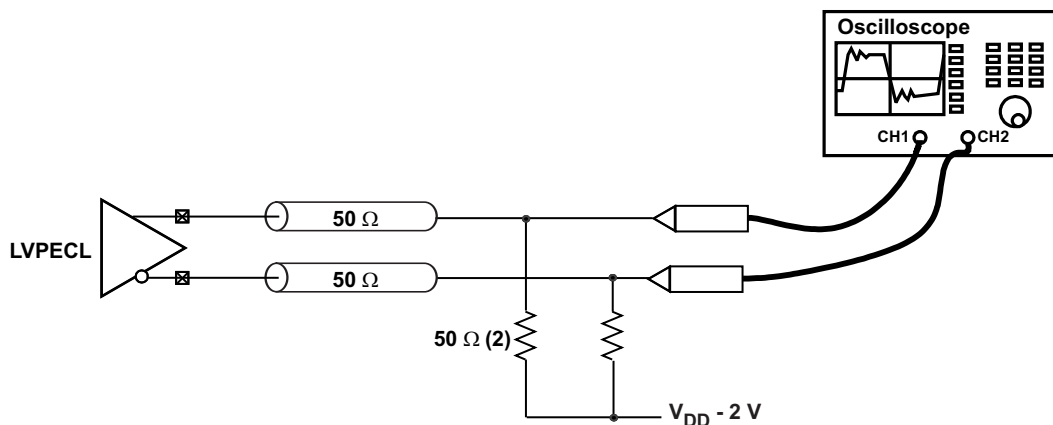


Figure 4. LVPECL DC Configuration for Device Test

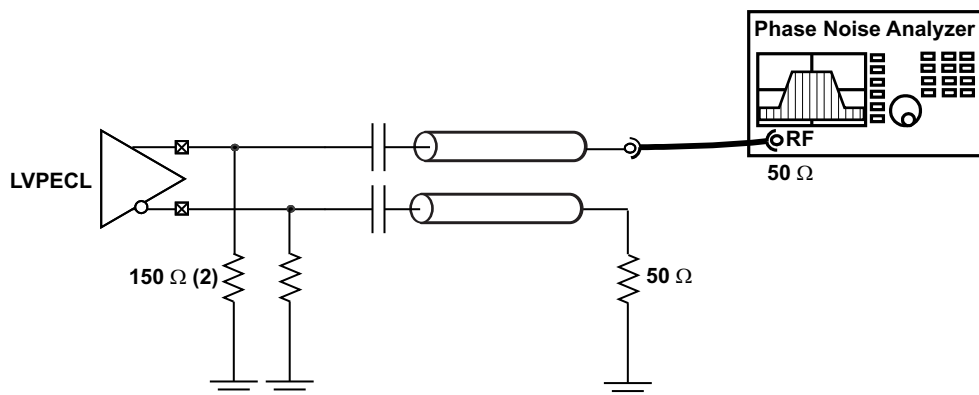


Figure 5. LVPECL AC Configuration for Device Test

Test Configurations (continued)

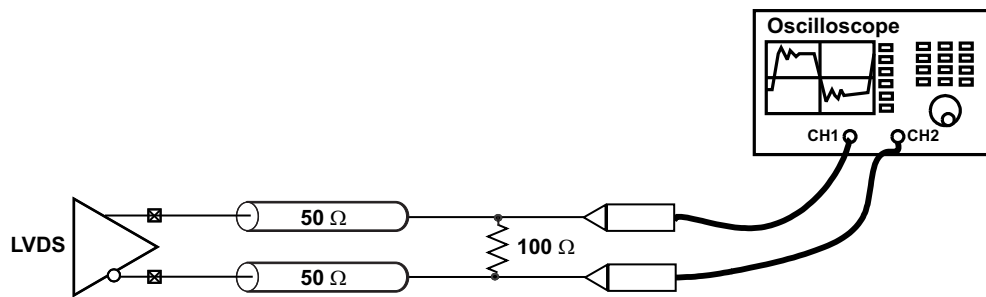


Figure 6. LVDS DC Configuration for Device Test

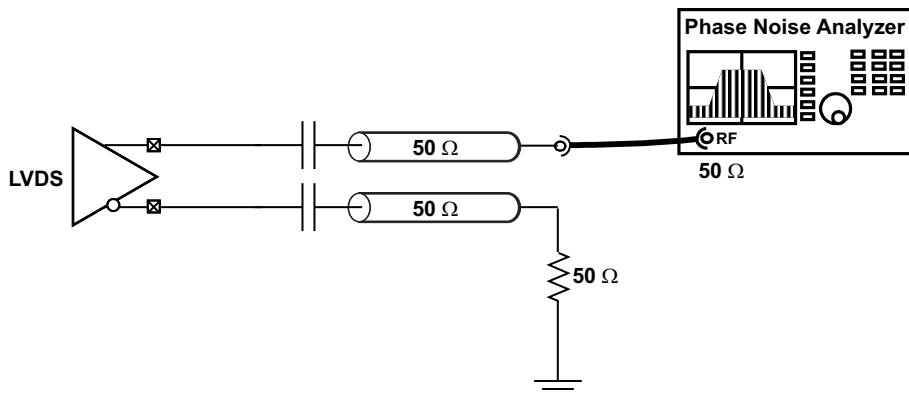


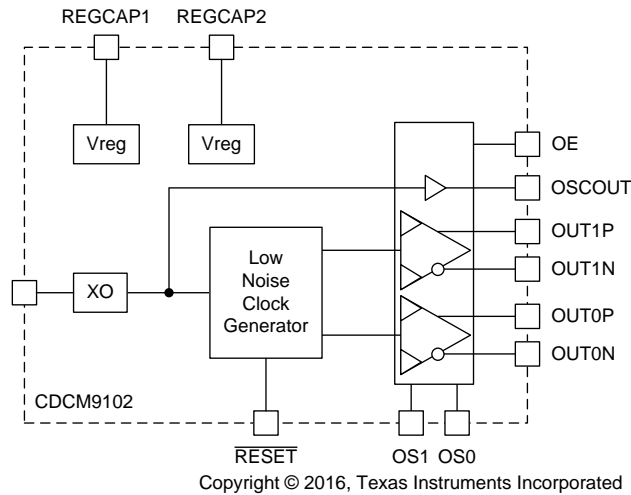
Figure 7. LVDS AC Configuration for Device Test

9 Detailed Description

9.1 Overview

The CDCM9102 is a high-performance PLL that generates 2 copies of commonly-used reference clocks with less than 1-ps RMS jitter from a low-cost crystal.

9.2 Functional Block Diagrams



9.3 Feature Description

The CDCM9102 includes an on-chip PLL with an on-chip VCO. The PLL blocks consist of a crystal input interface, a phase frequency detector (PFD), a charge pump, an on-chip loop filter, and prescaler and feedback dividers. Completing the CDCM9102 device are the output divider and universal output buffer. The PLL and output divider are pre-programmed to generate 2 copies of 100 MHz in LVCMOS, LVPECL or LVDS format.

The PLL is powered by on-chip, low-dropout (LDO) linear voltage regulators. The regulated supply network is partitioned such that the sensitive analog supplies are powered from separate LDOs rather than the digital supplies which use a separate LDO regulator. These LDOs provide isolation for the PLL from any noise in the external power-supply rail. The REG_CAP1 and REG_CAP2 pins should each be connected to ground by 10- μ F capacitors to ensure stability.

9.4 Device Functional Modes

9.4.1 Crystal Input (XIN) Interface

The CDCM9102 implements a *Colpitts oscillator*, therefore, one side of the crystal connects to the XIN pin and the other crystal terminal connects to ground. The device requires the use of a fundamental-mode crystal, and the oscillator operates in parallel resonance mode. The correct load capacitance is necessary to ensure that the circuit oscillates properly. The load capacitance comprises all capacitances in the oscillator feedback loop (the capacitances seen between the terminals of the crystal in the circuit). It is important to account for all sources of capacitance when calculating the correct value for the external discrete load capacitance shown in [Figure 8](#).

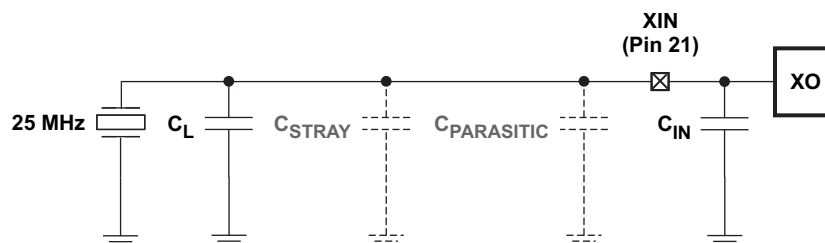


Figure 8. Configuration of Circuit for CDCM9102 XIN Oscillator

Device Functional Modes (continued)

The CDCM9102 has been characterized with 10-pF parallel-resonant crystals. The input stage of the crystal oscillator in the CDCM9102 is designed to oscillate at the correct frequency for all parallel-resonant crystals with low-pull capability and rated with a load capacitance that is equal to the sum of the on-chip load capacitance at the XIN pin ($C_{IN} = 10$ pF maximum), crystal stray capacitance, and board parasitic capacitance between the crystal and XIN pin. To minimize stray and parasitic capacitances, minimize the trace distance routed from the crystal to the XIN pin and avoid other active traces and active circuitry in the area of the crystal oscillator circuit. [Table 1](#) lists crystal types that have been evaluated with the CDCM9102.

Table 1. CDCM9102 Crystal Recommendations

MANUFACTURER	PART NUMBER
Vectron	VXC1-1134 25M0000000
Fox	218-3
Saronix	FP2500002

A mismatch of the load capacitance results in a frequency error according to [Equation 1](#).

$$\frac{\Delta f}{f} = \frac{C_S}{2(C_{Lr} + C_O)} - \frac{C_S}{2(C_{La} + C_O)}$$

where

- Δf is the frequency error required by the application.
- f is the fundamental frequency of the crystal.
- C_S is the motional capacitance of the crystal. This is a parameter in the data sheet of the crystal.
- C_O is the shunt capacitance of the crystal. This is a parameter in the data sheet of the crystal.
- C_{Lr} is the rated load capacitance of the crystal. This is a parameter in the data sheet of the crystal.
- C_{La} is the actual load capacitance implemented on the PCB ($C_{IN} + \text{stray capacitance} + \text{parasitic capacitance} + C_L$). (1)

The difference between the rated load capacitance (from the crystal datasheet) and the actual load capacitance ($C_{La} = C_{IN} + C_L + C_{STRAY} + C_{PARASITIC}$) should be minimized. A crystal with a low pullability rating (low C_S) is ideal.

Design Example:

Desired frequency tolerance $\Delta f \leq \pm 80$ ppm

Crystal Vendor Parameters:

Intrinsic Frequency Tolerance = ± 30 ppm

$C_O = 7$ pF (shunt capacitance)

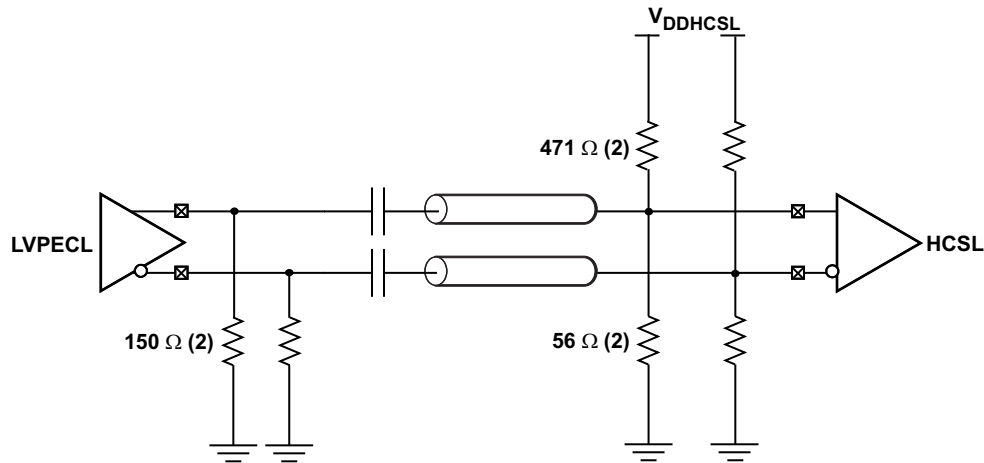
$C_S = 10$ fF (motional capacitance)

$C_{Lr} = 12$ pF (load capacitance)

Substituting these parameters into [Equation 1](#) yields a maximum value of $C_{La} = 17$ pF to achieve the desired Δf (± 50 ppm). Recall that $C_{La} = C_{IN} + C_L + C_{STRAY} + C_{PARASITIC} = 8$ pF + ($C_L + C_{STRAY} + C_{PARASITIC}$). Ideally, the load presented to this crystal should be 12 pF; therefore, the sum of ($C_L + C_{STRAY} + C_{PARASITIC}$) must be less than 9 pF. Stray and parasitic capacitance must be controlled. This is because the Colpitts oscillator is particularly sensitive to capacitance in parallel with the crystal; therefore, good layout practice is essential. TI recommends that the designer extract the stray and parasitic capacitance from the printed-circuit board design tool and adjust C_L accordingly to achieve $C_{Lr} = C_{La}$. In common scenarios, the external load capacitor is often unnecessary; however, TI recommends that pads be implemented to accommodate an external load capacitor so that the ppm error can be minimized.

9.4.2 Interfacing between LVPECL and HCSL (PCI Express)

Certain PCI Express applications require HCSL signaling. Because the common-mode voltage for LVPECL and HCSL are different, applications requiring HCSL signaling must use AC-coupling as shown in [Figure 9](#). The 150- Ω resistors ensure proper biasing of the CDCM9102 LVPECL output stage. The 471- Ω and 56- Ω resistor network biases the HCSL receiver input stage.



$C_{IN} = 8 \text{ pF}$ (typical), 10 pF (maximum); see [Electrical Characteristics](#).

Figure 9. Interfacing Between LVPECL and HCSL

9.5 Programming

Table 2 and Table 3 list the pin controls and pin configurations of the CDCM9102 output. Table 4 lists the device reset.

9.5.1 Device Configuration

Table 2. CDCM9102 Pin Control of Output Enable

OE (Pin 7)	MODE	DEVICE CORE	OUTPUT
0	Power down	Power down	Hi-Z
1	Normal	Active	Active

Table 3. CDCM9102 Pin Configuration of Output Type

CONTROL PINS		OUTPUT MODE
OS1 (Pin 10)	OS0 (Pin 11)	
0	0	LVC MOS, OSCOUT = OFF
0	1	LVDS, OSCOUT = OFF
1	0	LVPECL, OSCOUT = OFF
1	1	LVPECL, OSCOUT = ON

Table 4. CDCM9102 Device Reset

RESET (Pin 12)	OPERATING MODE	DEVICE OUTPUTS
0	Device reset	Hi-Z
0 → 1	Clock generator calibration	Hi-Z
1	Normal	Active

10 Application and Implementation

NOTE

Information in the following applications sections is not part of the TI component specification, and TI does not warrant its accuracy or completeness. TI's customers are responsible for determining suitability of components for their purposes. Customers should validate and test their design implementation to confirm system functionality.

10.1 Application Information

10.1.1 Start-Up Time Estimation

The CDCM9102 contains a low-noise clock generator that calibrates to an optimal operating point at device power up. To ensure proper device operation, the oscillator must be stable before the low-noise clock generator calibration procedure. Quartz-based oscillators can take up to 2 ms to stabilize; therefore, TI recommends that the application ensure that the RESET pin is de-asserted at least 5 ms after the power supply has finished ramping. This can be accomplished by controlling the RESET pin directly, or by applying a 47-nF capacitor to ground on the RESET pin (this provides a delay because the RESET pin includes a 150-kΩ pullup resistor).

The CDCM9102 start-up time can be estimated based on parameters defined in [Table 5](#) and graphically shown in [Figure 10](#).

Table 5. CDCM9102 Start-Up Time Dependencies

PARAMETER	DEFINITION	DESCRIPTION	FORMULA OR METHOD OF DETERMINATION
t_{REF}	Reference clock period	The reciprocal of the applied reference frequency in seconds	$t_{REF} = \frac{1}{f_{REF}} = 0.04 \mu s$
t_{pul}	Power-up time (low limit)	Power-supply rise time to low limit of power-on-reset trip point	Time required for power supply to ramp to 2.27 V
t_{puh}	Power-up time (high limit)	Power supply rise time to high limit of power-on-reset trip point	Time required for power supply to ramp to 2.64 V
t_{rsu}	Reference start-up time	After POR releases, the Colpitts oscillator is enabled. This start-up time is required for the oscillator to generate the requisite signal levels for the delay block to be clocked by the reference input.	500 μs best case and 800 μs worst case (for a crystal input)
t_{delay}	Delay time	Internal delay time generated from the reference clock. This delay provides time for the reference oscillator to stabilize.	$t_{delay} = 16,384 \times t_{REF} = 655 \mu s$
t_{VCO_CAL}	VCO calibration time	VCO calibration time generated from the reference clock. This process selects the operating point for the VCO based on the PLL settings.	$t_{VCO_CAL} = 550 \times t_{REF} = 22 \mu s$
t_{PLL_LOCK}	PLL lock time	Time required for PLL to lock within ± 10 ppm of f_{REF}	The PLL settles in 12.5 μs

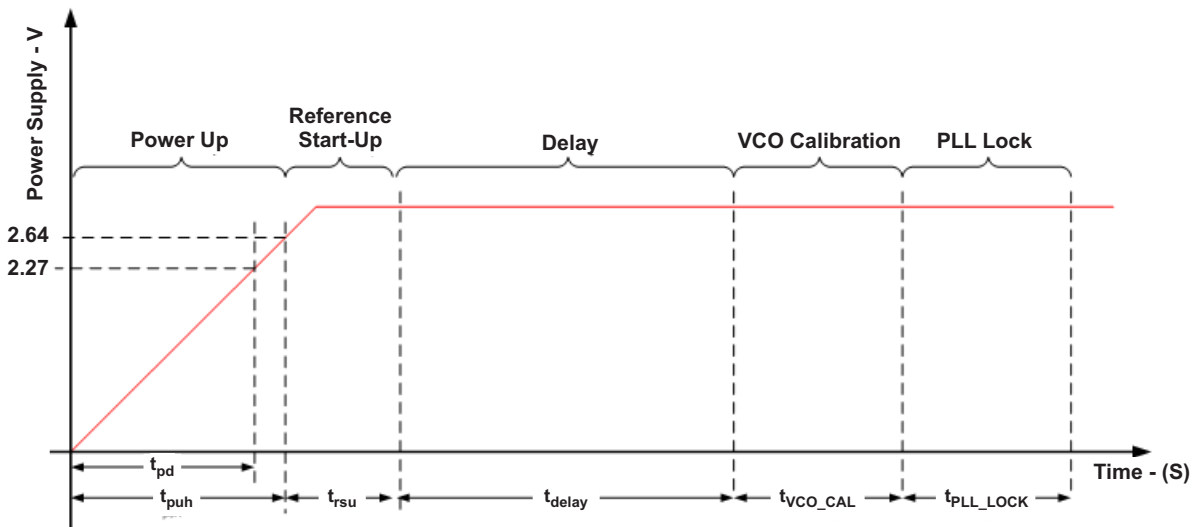


Figure 10. CDCM9102 Start-Up Time Dependencies

The CDCM9102 start-up time limits, t_{MAX} and t_{MIN} , can now be calculated with Equation 2 and Equation 3.

$$t_{MAX} = t_{puh} + t_{rsu} + t_{delay} + t_{VCO_CAL} + t_{PLL_LOCK} \tag{2}$$

$$t_{MIN} = t_{pul} + t_{rsu} + t_{delay} + t_{VCO_CAL} + t_{PLL_LOCK} \tag{3}$$

10.1.2 Output Termination

The CDCM9102 is a 3.3-V clock driver which has the following options for the output type: LVPECL, LVDS, and LVCMOS.

10.1.3 LVPECL Termination

The CDCM9102 is an open emitter for LVPECL outputs. Therefore, proper biasing and termination is required to ensure correct operation of the device and to optimize signal integrity. The proper termination for LVPECL is 50 Ω to (V_{cc}-2) V but this DC voltage is not readily available on a board. Thus a Thevenin's equivalent circuit is worked out for the LVPECL termination in both direct-coupled (DC) and AC-coupled cases, as shown in Figure 11 and Figure 12. TI recommends placing all resistive components close to either the driver end or the receiver end. If the supply voltages of the driver and receiver are different, AC coupling is required.

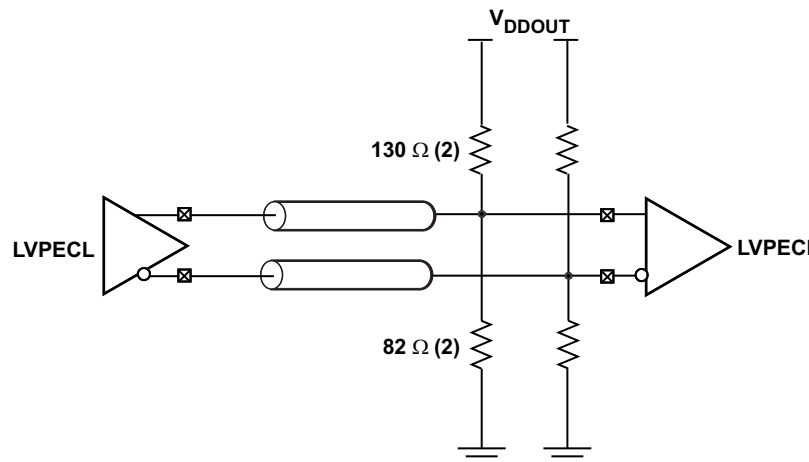


Figure 11. LVPECL Output Termination (DC-Coupled)

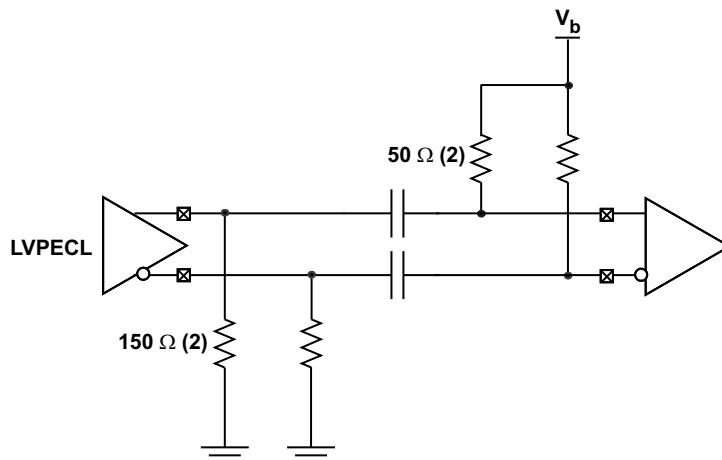


Figure 12. LVPECL Output Termination (AC-Coupled)

10.1.4 LVDS Termination

The proper LVDS termination for signal integrity over two 50-Ω lines is 100 Ω between the outputs on the receiver end. Either a direct-coupled (dc) termination or ac-coupled termination can be used for LVDS outputs, as shown in Figure 13 and Figure 14. TI recommends placing all resistive components close to either the driver end or the receiver end. If the supply voltages of the driver and receiver are different, AC coupling is required.



Figure 13. LVDS Output Termination (DC Coupled)

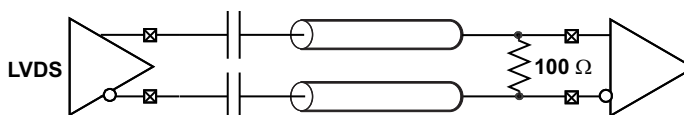


Figure 14. LVDS Output Termination (AC Coupling)

10.1.5 LVCMOS Termination

Series termination is a common method to maintain the signal integrity for LVCMOS drivers, if connected to a receiver with a high-impedance input. For series termination, a series resistor, R_s , is placed close to the driver, as shown in Figure 15. The sum of the driver impedance and R_s should be close to the transmission-line impedance, which is usually 50 Ω. Because the LVCMOS driver in the CDCM9102 has an impedance of 30 Ω, TI recommends R_s be 22 Ω to maintain proper signal integrity.

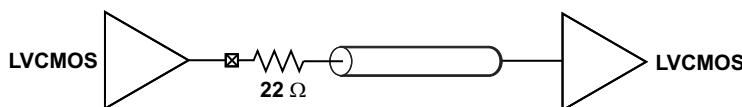


Figure 15. LVCMOS Output Termination

10.1.6 PCI Express Applications

Texas Instruments offers a complete clock solution for PCI Express applications. The CDCUN1208LP can be used to fan out reference clock generated by the CDCM9102 as shown in Figure 16.

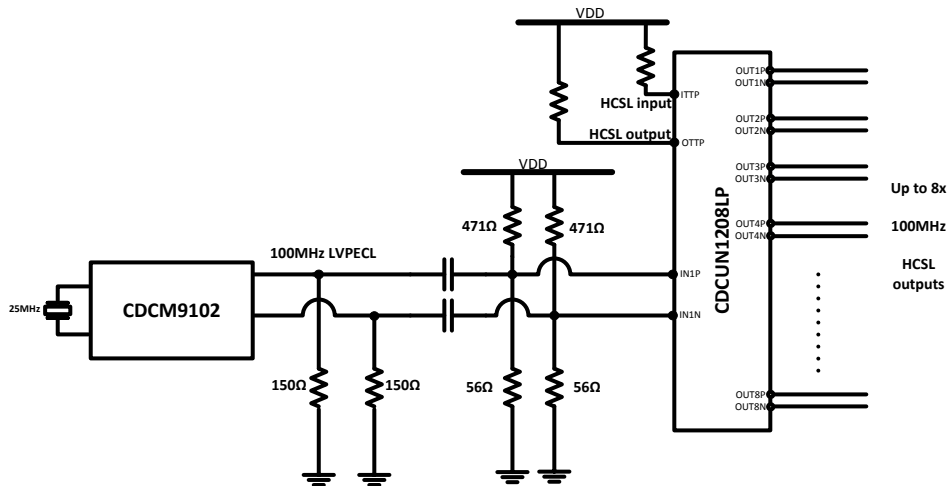
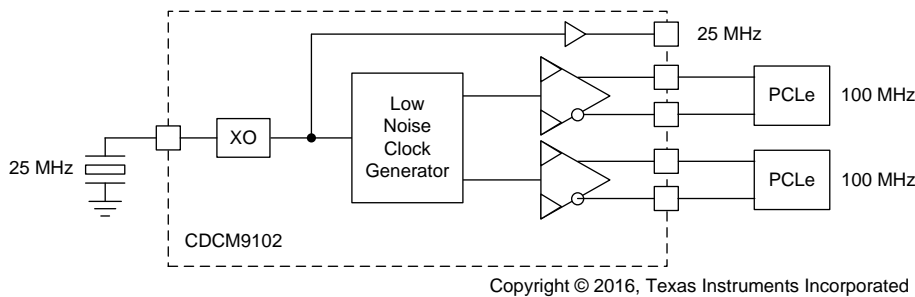


Figure 16. Clock Solution for PCIe Express Applications

10.2 Typical Application



Copyright © 2016, Texas Instruments Incorporated

Figure 17. CDCM9102 Typical Application Example

10.2.1 Design Requirements

Consider a typical wired communications application, like a top-of-rack switch, which needs to clock PCI Express Gen 2 or 3 PHYs. For such asynchronous systems, the reference input can be a crystal. In such systems, the clocks are expected to be available upon power up without the need for any device-level programming. An example of clock input and output requirements is shown below:

- Clock Input:
 - 25-MHz crystal
- Clock Outputs:
 - 2x 100 MHz clock for PCI Express Gen 3 (8 GT/s), LVPECL

See [Detailed Design Procedure](#) for how to generate the required output frequencies for this application using the CDCM9102.

Typical Application (continued)

10.2.2 Detailed Design Procedure

Design of all aspects of the CDCM61004 is quite involved and software support is available to assist in part selection and phase noise simulation. This design procedure will give a quick outline of the process.

1. Device Selection

- The first step is to calculate the VCO frequency given the required output frequency. The device must be able to produce the VCO frequency that can be divided down to the required output frequency.
- The WEBENCH Clock Architect Tool from TI will aid in the selection of the right device that meets the customer's output frequencies and format requirements.

2. Device Configuration

- The WEBENCH Clock Architect Tool attempts to maximize the phase detector frequency, use smallest dividers, and maximizes PLL bandwidth.

10.2.2.1 Device Selection

Use the WEBENCH Clock Architect Tool. Enter the required frequencies and formats into the tool. To use this device, find a solution using the CDCM9102.

10.2.2.1.1 Calculation Using LCM

In this example, the valid VCO frequency for CDCM9102 is 1.8 GHz.

10.2.2.2 Device Configuration

For this example, when using the WEBENCH Clock Architect Tool, the reference would have been manually entered as 25 MHz according to input frequency requirements. Enter the desired output frequencies and click on Generate Solutions. Select CDCM9102 from the solution list.

From the simulation page of the WEBENCH Clock Architect Tool, it can be seen that to maximize phase detector frequencies, the N divider is set to 24 and prescaler divider is set to 3. This results in a VCO frequency of 1.8 GHz. The output divider is set to 6. At this point the design meets all input and output frequency requirements and simulate performance on the clock outputs. [Figure 18](#) shows the typical phase noise plot of the 100 MHz LVPECL output.

Typical Application (continued)

10.2.3 Application Curve

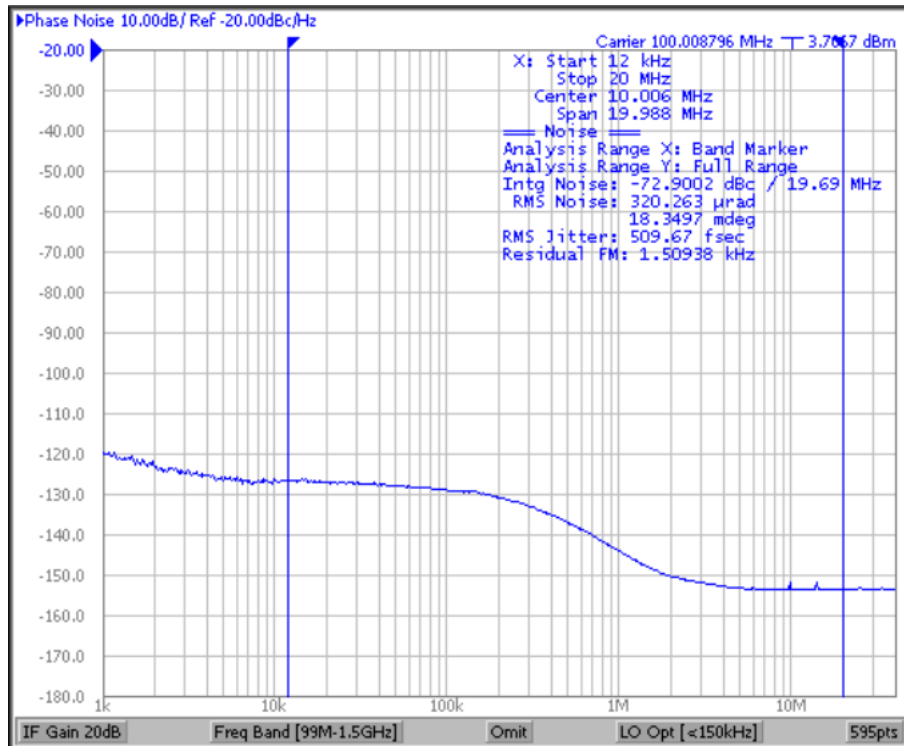


Figure 18. Typical Phase Noise Plot of 100 MHz LVPECL Output

11 Power Supply Recommendations

$T_A = -40^{\circ}\text{C}$ to 85°C , $V_{DDx} = 3.3\text{ V}$, $OE = 1$, values represent cumulative current/power on all V_{DDx} pins.

Table 6. Device Current Consumption

BLOCK	CONDITION	CURRENT (mA)	DEVICE POWER (mW)	EXTERNAL RESISTOR POWER (mW)
Entire device, core current		85	280	
Output Buffers	LVPECL	28	42.4	50
	LVDS	20	66	
	LVC MOS	$V \times f_{out} \times (C_L + 20 \times 10^{-12}) \times 10^3$	$V^2 \times f_{out} \times (C_L + 20 \times 10^{-12}) \times 10^3$	

11.1 Thermal Management

To ensure optimal performance and reliability, good thermal design practices are important when using the CDCM9102. Die temperature should be limited to a maximum of 125°C . That is, as an estimate, T_A (ambient temperature) plus device power consumption times $R_{\theta JA}$ should not exceed 125°C .

The device package has an exposed pad that provides the primary heat removal path as well as an electrical grounding to the printed circuit board (PCB). To maximize the removal of heat from the package, a thermal landing pattern including multiple vias to a ground plane must be incorporated on the PCB within the footprint of the package. The exposed pad must be soldered down to ensure adequate heat conduction out of the package. A recommended land and via pattern is shown in Figure 19.

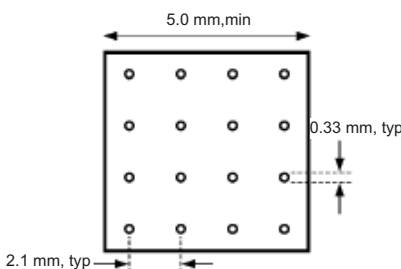


Figure 19. Recommended PCB Layout for CDCM9102

11.2 Power Supply Filtering

PLL-based frequency synthesizers are very sensitive to noise on the power supply, which can dramatically increase the jitter of the PLL. This is especially true for analog-based PLLs. Thus, it is essential to reduce noise from the system power supply, especially when jitter/phase noise is very critical to applications. A PLL has attenuated jitter due to power supply noise at frequencies beyond the PLL bandwidth due to attenuation by the loop response.

Filter capacitors are used to eliminate the low-frequency noise from the power supply, where the bypass capacitors provide the very low-impedance path for high-frequency noise and guard the power supply system against induced fluctuations. The bypass capacitors also provide a source of instantaneous current as required by the device output stages. Therefore, bypass capacitors must have low ESR. To properly use the bypass capacitors, they must be placed very close to the power supply pins and must be laid out with short loops to minimize inductance.

Figure 20 shows a general recommendation for decoupling the power supply. The CDCM9102 power supplies fall into one of two categories: analog supplies (V_{DD3} , V_{DD4} , and V_{DD5}), and input/output supplies (V_{DD1} , V_{DD2} , and V_{DD6}). Short the analog supplies together to form the analog supply node; likewise, short the input/output supplies together to form the I/O supply node. Isolate the analog node from the PCB power supply and I/O node by inserting a ferrite bead. This helps isolate the high-frequency switching noises generated by the clock drivers and I/O from the sensitive analog supply node. Choosing an appropriate ferrite bead with low dc resistance is important, as it is imperative to maintain a voltage at the power-supply pin of the CDCM9102 that is over the minimum voltage needed for its proper operation.

Power Supply Filtering (continued)

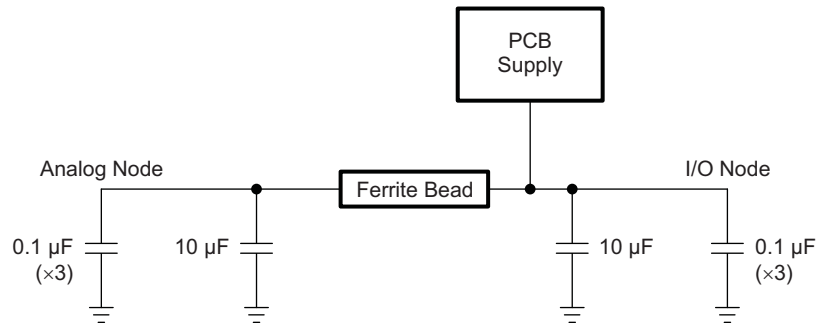


Figure 20. CDCM9102 Power Supply Decoupling – Power Pin Bypass Concept

12 Layout

12.1 Layout Guidelines

The CDCM9102 is a high-performance device; therefore, pay careful attention to device configuration and printed-circuit board layout with respect to power consumption. Observing good thermal layout practices enables the thermal pad on the backside of the 32-pin VQFN package to provide a good thermal path between the die contained within the package and the ambient air. This thermal pad also serves as the ground connection the device; therefore, a low inductance connection to the ground plane is essential.

12.2 Layout Example

Figure 21 shows a general recommendation of PCB layout with the CDCM9102 that ensures good system-level thermal reliability.

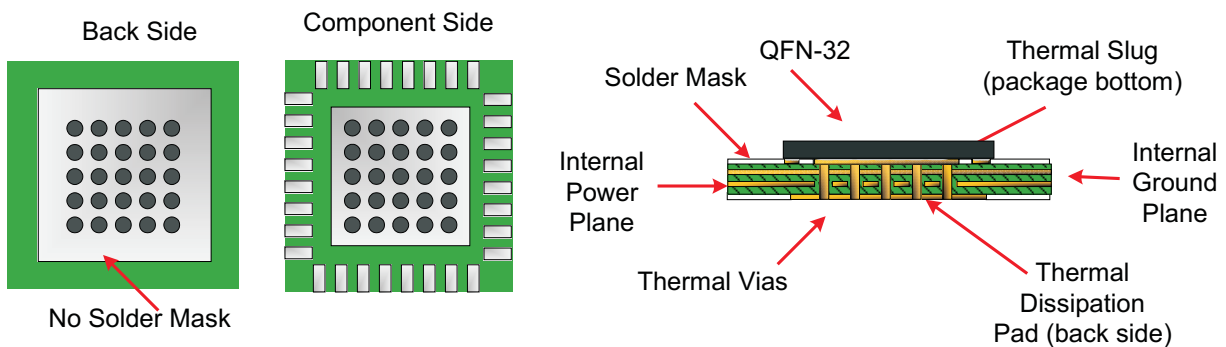


Figure 21. Recommended PCB Layout

13 Device and Documentation Support

13.1 Community Resources

The following links connect to TI community resources. Linked contents are provided "AS IS" by the respective contributors. They do not constitute TI specifications and do not necessarily reflect TI's views; see TI's [Terms of Use](#).

TI E2E™ Online Community *TI's Engineer-to-Engineer (E2E) Community*. Created to foster collaboration among engineers. At e2e.ti.com, you can ask questions, share knowledge, explore ideas and help solve problems with fellow engineers.

Design Support *TI's Design Support* Quickly find helpful E2E forums along with design support tools and contact information for technical support.

13.2 Trademarks

E2E is a trademark of Texas Instruments.

PCI Express is a trademark of PCI-SIG.

All other trademarks are the property of their respective owners.

13.3 Electrostatic Discharge Caution



These devices have limited built-in ESD protection. The leads should be shorted together or the device placed in conductive foam during storage or handling to prevent electrostatic damage to the MOS gates.

13.4 Glossary

[SLYZ022](#) — *TI Glossary*.

This glossary lists and explains terms, acronyms, and definitions.

14 Mechanical, Packaging, and Orderable Information

The following pages include mechanical, packaging, and orderable information. This information is the most current data available for the designated devices. This data is subject to change without notice and revision of this document. For browser-based versions of this data sheet, refer to the left-hand navigation.

PACKAGING INFORMATION

Orderable Device	Status (1)	Package Type	Package Drawing	Pins	Package Qty	Eco Plan (2)	Lead/Ball Finish	MSL Peak Temp (3)	Op Temp (°C)	Device Marking (4/5)	Samples
CDCM9102RHBR	ACTIVE	VQFN	RHB	32	3000	Green (RoHS & no Sb/Br)	CU NIPDAU	Level-2-260C-1 YEAR	-40 to 85	CDCM 9102	Samples
CDCM9102RHBT	ACTIVE	VQFN	RHB	32	250	Green (RoHS & no Sb/Br)	CU NIPDAU	Level-2-260C-1 YEAR	-40 to 85	CDCM 9102	Samples

(1) The marketing status values are defined as follows:

ACTIVE: Product device recommended for new designs.

LIFEBUY: TI has announced that the device will be discontinued, and a lifetime-buy period is in effect.

NRND: Not recommended for new designs. Device is in production to support existing customers, but TI does not recommend using this part in a new design.

PREVIEW: Device has been announced but is not in production. Samples may or may not be available.

OBSOLETE: TI has discontinued the production of the device.

(2) Eco Plan - The planned eco-friendly classification: Pb-Free (RoHS), Pb-Free (RoHS Exempt), or Green (RoHS & no Sb/Br) - please check <http://www.ti.com/productcontent> for the latest availability information and additional product content details.

TBD: The Pb-Free/Green conversion plan has not been defined.

Pb-Free (RoHS): TI's terms "Lead-Free" or "Pb-Free" mean semiconductor products that are compatible with the current RoHS requirements for all 6 substances, including the requirement that lead not exceed 0.1% by weight in homogeneous materials. Where designed to be soldered at high temperatures, TI Pb-Free products are suitable for use in specified lead-free processes.

Pb-Free (RoHS Exempt): This component has a RoHS exemption for either 1) lead-based flip-chip solder bumps used between the die and package, or 2) lead-based die adhesive used between the die and leadframe. The component is otherwise considered Pb-Free (RoHS compatible) as defined above.

Green (RoHS & no Sb/Br): TI defines "Green" to mean Pb-Free (RoHS compatible), and free of Bromine (Br) and Antimony (Sb) based flame retardants (Br or Sb do not exceed 0.1% by weight in homogeneous material)

(3) MSL, Peak Temp. -- The Moisture Sensitivity Level rating according to the JEDEC industry standard classifications, and peak solder temperature.

(4) There may be additional marking, which relates to the logo, the lot trace code information, or the environmental category on the device.

(5) Multiple Device Markings will be inside parentheses. Only one Device Marking contained in parentheses and separated by a "~" will appear on a device. If a line is indented then it is a continuation of the previous line and the two combined represent the entire Device Marking for that device.

Important Information and Disclaimer: The information provided on this page represents TI's knowledge and belief as of the date that it is provided. TI bases its knowledge and belief on information provided by third parties, and makes no representation or warranty as to the accuracy of such information. Efforts are underway to better integrate information from third parties. TI has taken and continues to take reasonable steps to provide representative and accurate information but may not have conducted destructive testing or chemical analysis on incoming materials and chemicals. TI and TI suppliers consider certain information to be proprietary, and thus CAS numbers and other limited information may not be available for release.

In no event shall TI's liability arising out of such information exceed the total purchase price of the TI part(s) at issue in this document sold by TI to Customer on an annual basis.

TAPE AND REEL INFORMATION

QUADRANT ASSIGNMENTS FOR PIN 1 ORIENTATION IN TAPE


*All dimensions are nominal

Device	Package Type	Package Drawing	Pins	SPQ	Reel Diameter (mm)	Reel Width W1 (mm)	A0 (mm)	B0 (mm)	K0 (mm)	P1 (mm)	W (mm)	Pin1 Quadrant
CDCM9102RHBR	VQFN	RHB	32	3000	330.0	12.4	5.3	5.3	1.5	8.0	12.0	Q2
CDCM9102RHBT	VQFN	RHB	32	250	180.0	12.4	5.3	5.3	1.5	8.0	12.0	Q2

TAPE AND REEL BOX DIMENSIONS



*All dimensions are nominal

Device	Package Type	Package Drawing	Pins	SPQ	Length (mm)	Width (mm)	Height (mm)
CDCM9102RHBR	VQFN	RHB	32	3000	367.0	367.0	35.0
CDCM9102RHBT	VQFN	RHB	32	250	210.0	185.0	35.0

GENERIC PACKAGE VIEW

RHB 32

VQFN - 1 mm max height

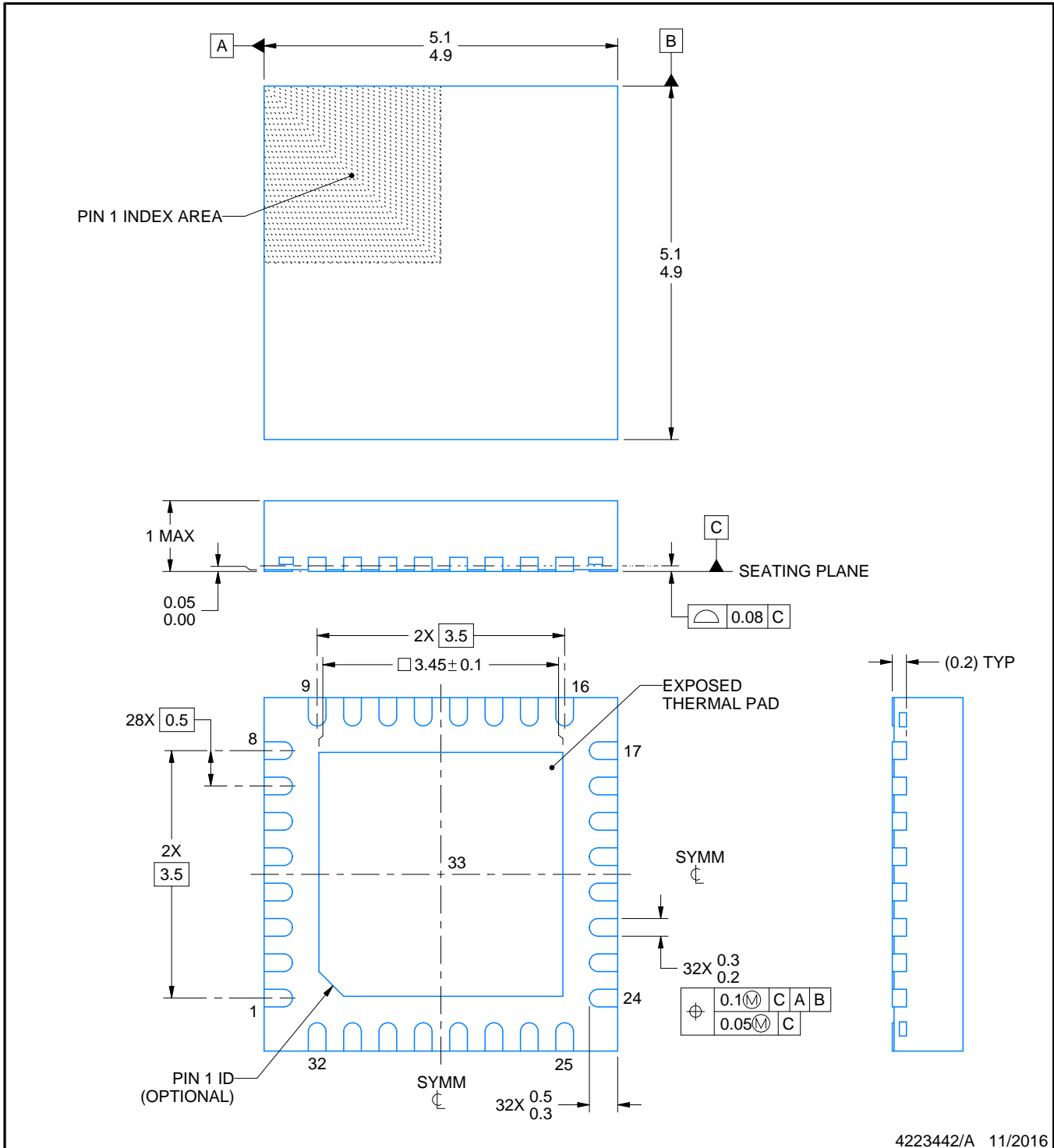
5 x 5, 0.5 mm pitch

PLASTIC QUAD FLATPACK - NO LEAD



Images above are just a representation of the package family, actual package may vary.
Refer to the product data sheet for package details.

4224745/A



4223442/A 11/2016

NOTES:

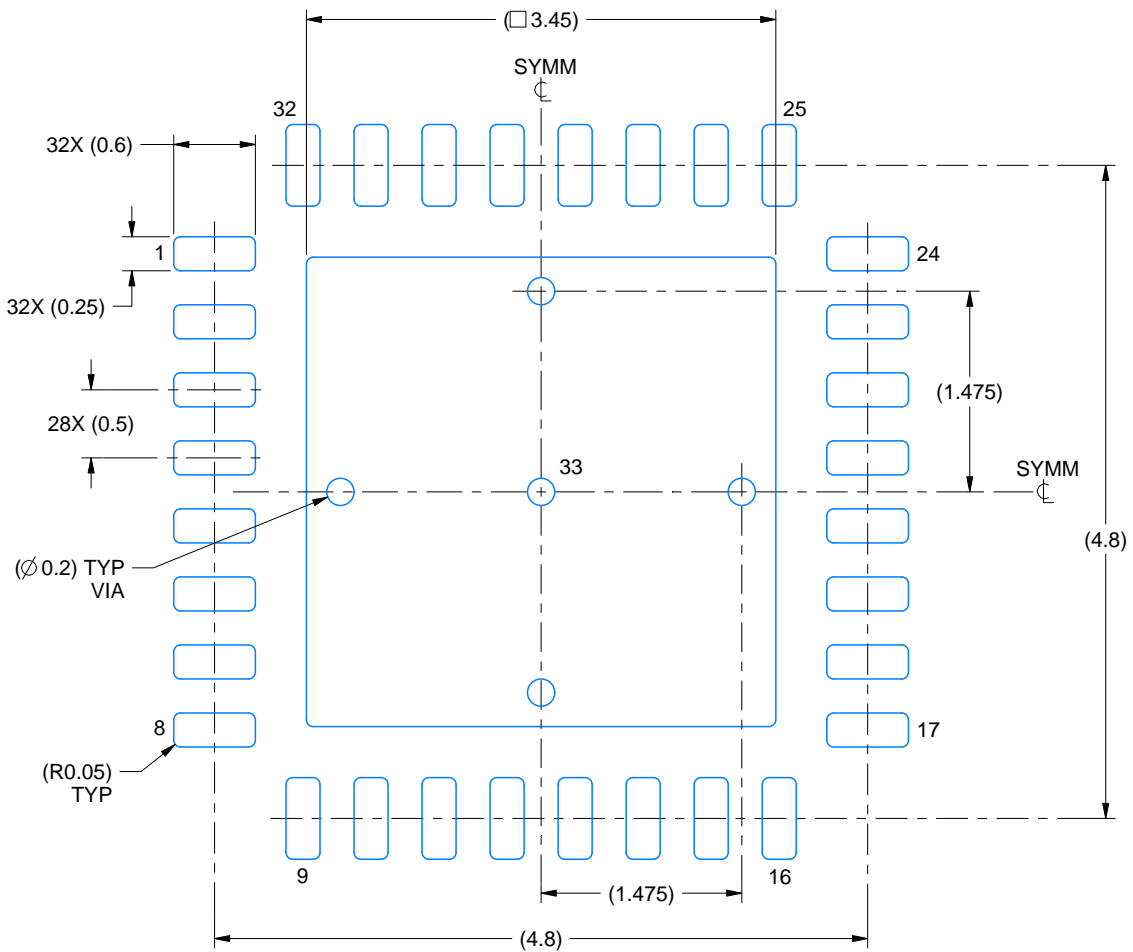
1. All linear dimensions are in millimeters. Any dimensions in parenthesis are for reference only. Dimensioning and tolerancing per ASME Y14.5M.
2. This drawing is subject to change without notice.
3. The package thermal pad must be soldered to the printed circuit board for thermal and mechanical performance.

EXAMPLE BOARD LAYOUT

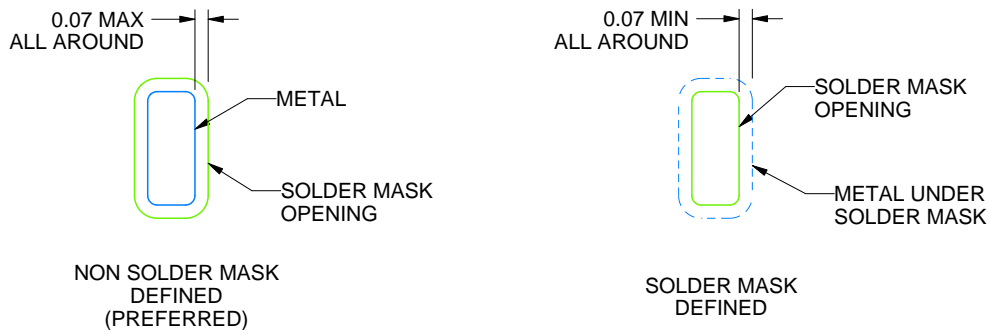
RHB0032E

VQFN - 1 mm max height

PLASTIC QUAD FLATPACK - NO LEAD



LAND PATTERN EXAMPLE
SCALE:18X



SOLDER MASK DETAILS

4223442/A 11/2016

NOTES: (continued)

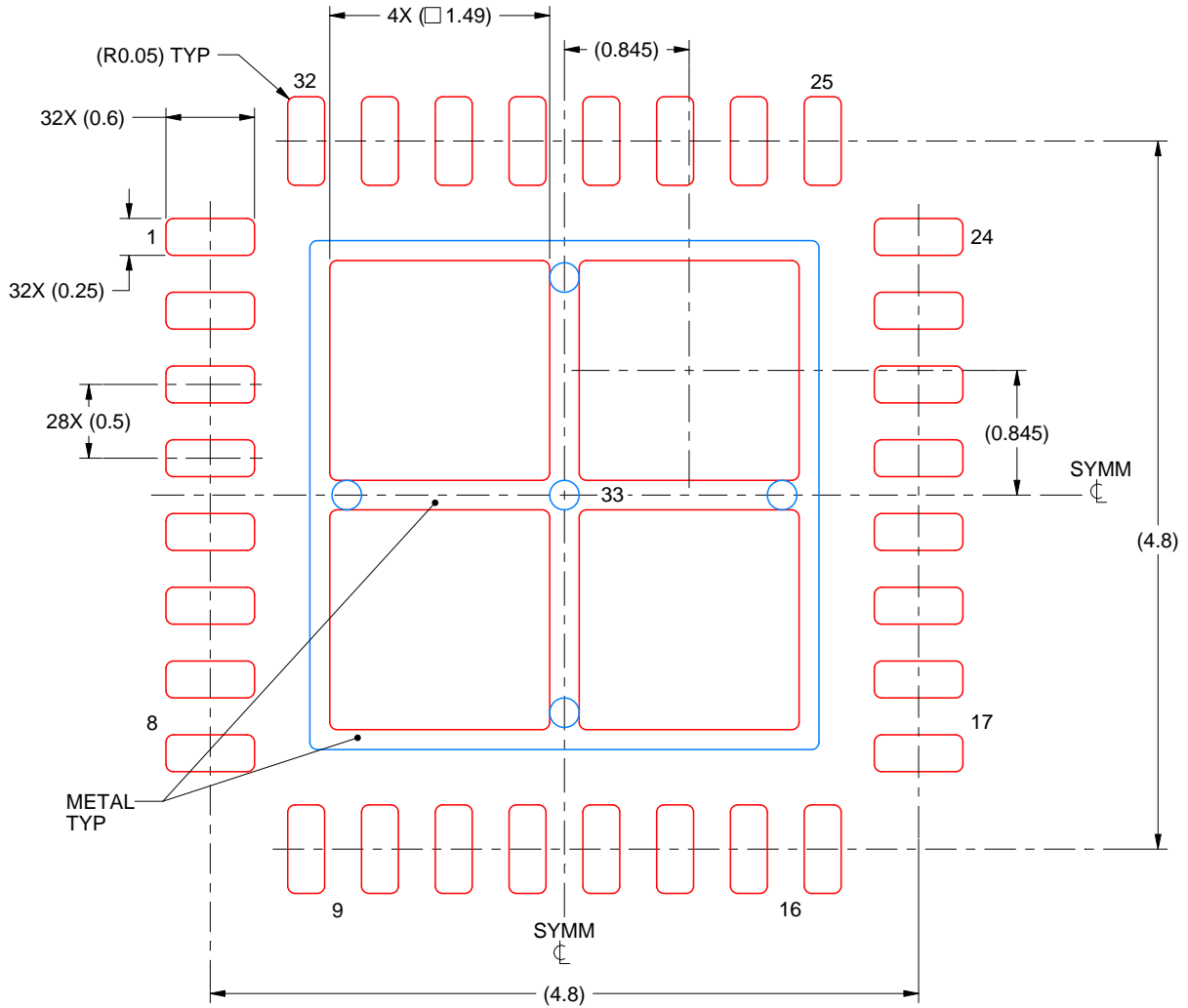
- This package is designed to be soldered to a thermal pad on the board. For more information, see Texas Instruments literature number SLUA271 (www.ti.com/lit/slua271).
- Vias are optional depending on application, refer to device data sheet. If any vias are implemented, refer to their locations shown on this view. It is recommended that vias under paste be filled, plugged or tented.

EXAMPLE STENCIL DESIGN

RHB0032E

VQFN - 1 mm max height

PLASTIC QUAD FLATPACK - NO LEAD



SOLDER PASTE EXAMPLE
 BASED ON 0.125 mm THICK STENCIL

EXPOSED PAD 33:
 75% PRINTED SOLDER COVERAGE BY AREA UNDER PACKAGE
 SCALE:20X

4223442/A 11/2016

NOTES: (continued)

6. Laser cutting apertures with trapezoidal walls and rounded corners may offer better paste release. IPC-7525 may have alternate design recommendations.

IMPORTANT NOTICE AND DISCLAIMER

TI PROVIDES TECHNICAL AND RELIABILITY DATA (INCLUDING DATASHEETS), DESIGN RESOURCES (INCLUDING REFERENCE DESIGNS), APPLICATION OR OTHER DESIGN ADVICE, WEB TOOLS, SAFETY INFORMATION, AND OTHER RESOURCES "AS IS" AND WITH ALL FAULTS, AND DISCLAIMS ALL WARRANTIES, EXPRESS AND IMPLIED, INCLUDING WITHOUT LIMITATION ANY IMPLIED WARRANTIES OF MERCHANTABILITY, FITNESS FOR A PARTICULAR PURPOSE OR NON-INFRINGEMENT OF THIRD PARTY INTELLECTUAL PROPERTY RIGHTS.

These resources are intended for skilled developers designing with TI products. You are solely responsible for (1) selecting the appropriate TI products for your application, (2) designing, validating and testing your application, and (3) ensuring your application meets applicable standards, and any other safety, security, or other requirements. These resources are subject to change without notice. TI grants you permission to use these resources only for development of an application that uses the TI products described in the resource. Other reproduction and display of these resources is prohibited. No license is granted to any other TI intellectual property right or to any third party intellectual property right. TI disclaims responsibility for, and you will fully indemnify TI and its representatives against, any claims, damages, costs, losses, and liabilities arising out of your use of these resources.

TI's products are provided subject to TI's Terms of Sale (www.ti.com/legal/termsofsale.html) or other applicable terms available either on ti.com or provided in conjunction with such TI products. TI's provision of these resources does not expand or otherwise alter TI's applicable warranties or warranty disclaimers for TI products.

Mailing Address: Texas Instruments, Post Office Box 655303, Dallas, Texas 75265
Copyright © 2019, Texas Instruments Incorporated