

NOTES

1. All dimensions are in  $\frac{\text{Inches}}{\text{(millimeters)}}$
2. Dimensions appearing in table are as follows:  
a - AS SUPPLIED    b - AFTER UNRESTRICTED RECOVERY
3. Coating is optional. As supplied dimensions appearing in table are for uncoated parts. When coating is added, entry diameters will be reduced .06 max.
4. Molding ports are optional. When specified, by -00 modification number, they will be located as shown. A plug and riser will be supplied with each part.

If this document is printed it becomes uncontrolled.  
Check for the latest revision.

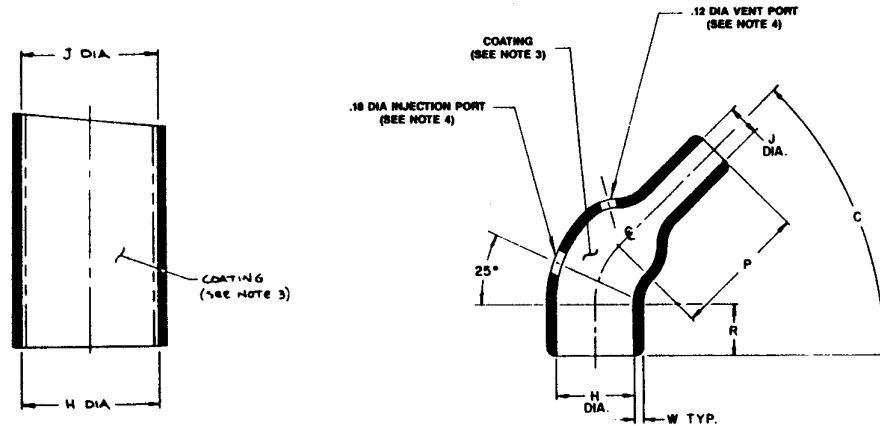
ORDERING INFORMATION

| Matl. No. | Description  | Raychem RT Spec |
|-----------|--|-----------------|
| -3        | Polyolefin, Semi-Rigid                             | RT-301          |
| -4        | Polyolefin, Flexible                               | RT-1304         |
| -5        | Elastomer, Flexible                                | RT-501          |
| -25       | Elastomer, Semi-Rigid                              | RT-1325         |
| /42       | Adhesive, S-1017 (for -3, -4 and -5 material only) |                 |

Add material number as suffix to part number;  
Example 1 - Order 242A142-3 when polyolefin, semi-rigid is required.

Add coating slash number as suffix to material dash number or modification number when coating is required.  
Example 2 - Order 242A142-X/42 or 242A142-X-00/42 when S-1017 adhesive is required.

Example 3 - Order 242A142-X-00 when molding ports are required.



AS SUPPLIED

AFTER UNRESTRICTED RECOVERY

TABLE OF DIMENSIONS

| PART NUMBER | H                     |                      | J                     |                      | P                     | R                   | W                    | C      |       | This Boot Fits MIL-C-5015 Shell Size | This Boot Fits MIL-C-26482 Shell Size |
|-------------|-----------------------|----------------------|-----------------------|----------------------|-----------------------|---------------------|----------------------|--------|-------|--------------------------------------|---------------------------------------|
|             | Min a                 | Max b                | -3, -4, -25 Min a     | -5 Min a             |                       |                     |                      | ±10° a | ±5° b |                                      |                                       |
| 242A142     | $\frac{1.22}{[31,0]}$ | $\frac{.70}{[17,8]}$ | $\frac{1.22}{[31,0]}$ | $\frac{.76}{[19,3]}$ | $\frac{1.04}{[26,4]}$ | $\frac{.32}{[8,1]}$ | $\frac{.07}{[1,78]}$ | 90     | 45    | 14                                   | 12, 14                                |

**Raychem**  
Raychem Corporation  
300 Constitution Drive  
Menlo Park, CA 94025-1164  
(415) 361 6055

| E.O. | REV | DATE | DESCRIPTION              |
|------|-----|------|--------------------------|
| HOP  | A   | 9/87 | RETYPE                   |
| SLJ  | B   | 2/83 | R WAS .38                |
| SLJ  | C   | 6/88 | ADD -4, -5, -25 & S-1017 |
| SLJ  | D   | 2/89 | ADD "AS SUPPLIED" VIEW   |

| DRN   | DD |
|-------|----|
| CHK'D | KT |
| AUTH  | RW |
| AUTH  | HP |

PART DESCRIPTION  
BOOT, 45°

| PART NO. | REV LTR           |
|----------|-------------------|
| 242A142  | D                 |
| DATE     | FEBRUARY 27, 1989 |

# Mouser Electronics

Authorized Distributor

Click to View Pricing, Inventory, Delivery & Lifecycle Information:

[TE Connectivity:](#)

[242A142-3-0](#)