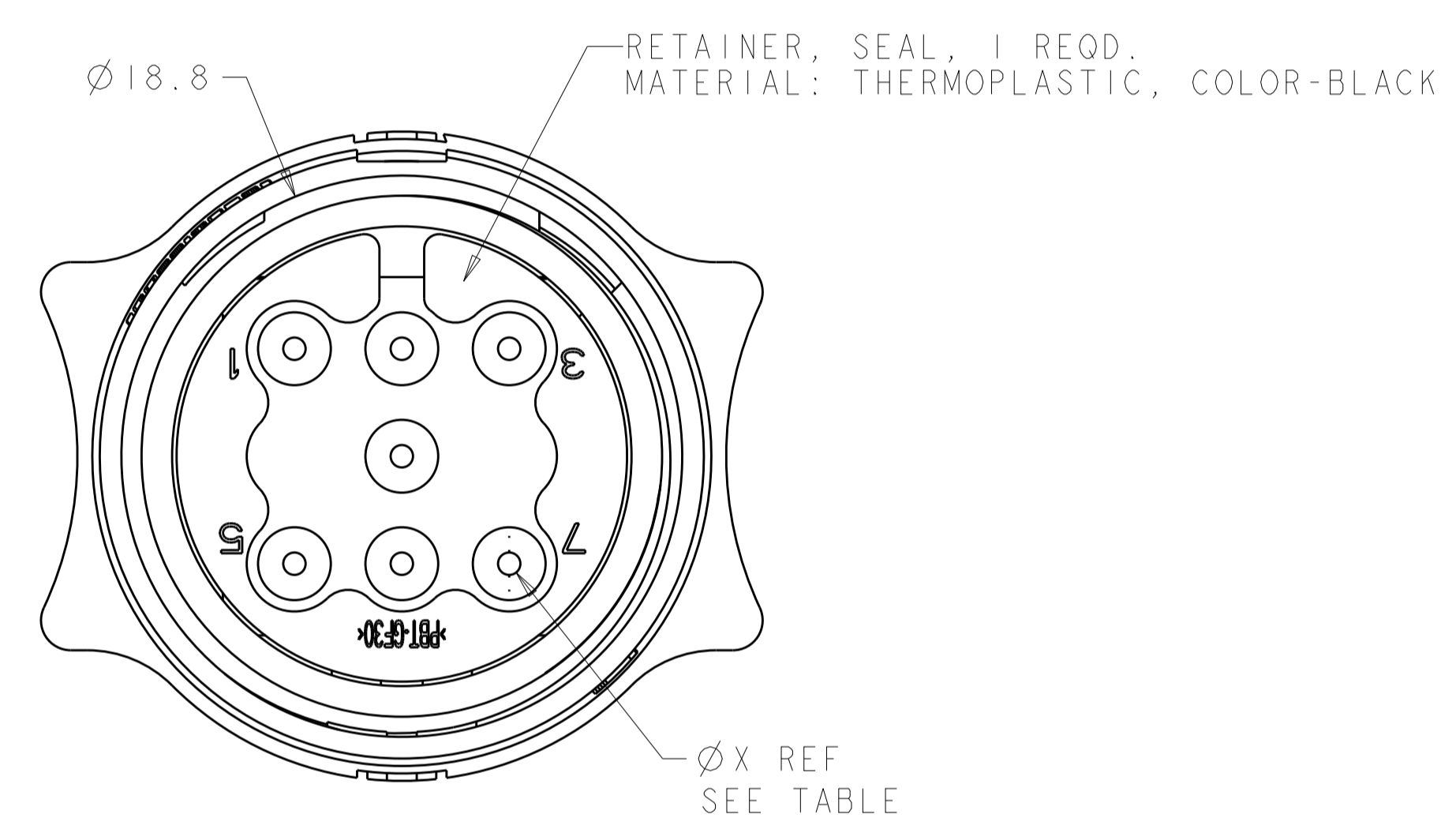
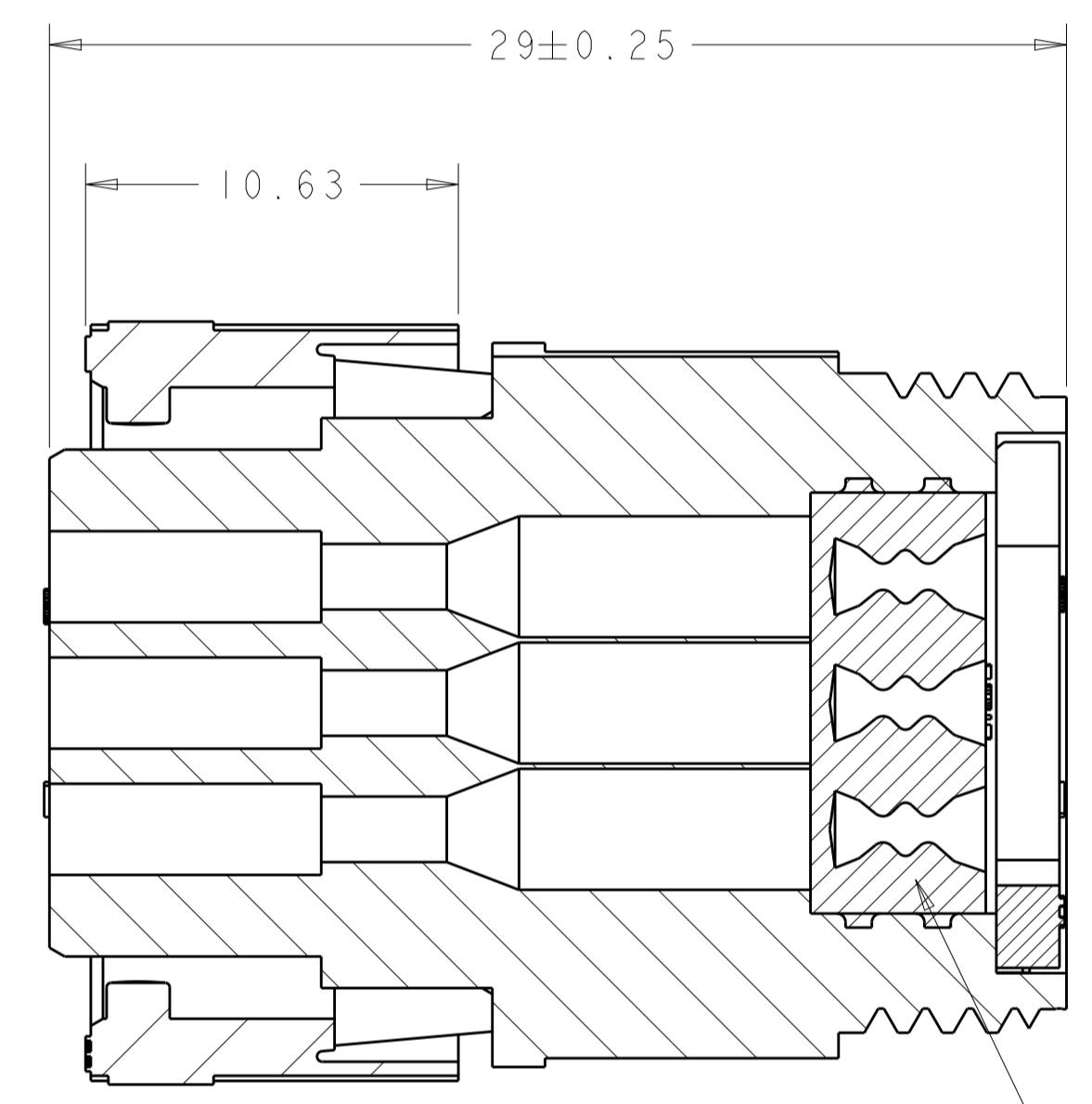
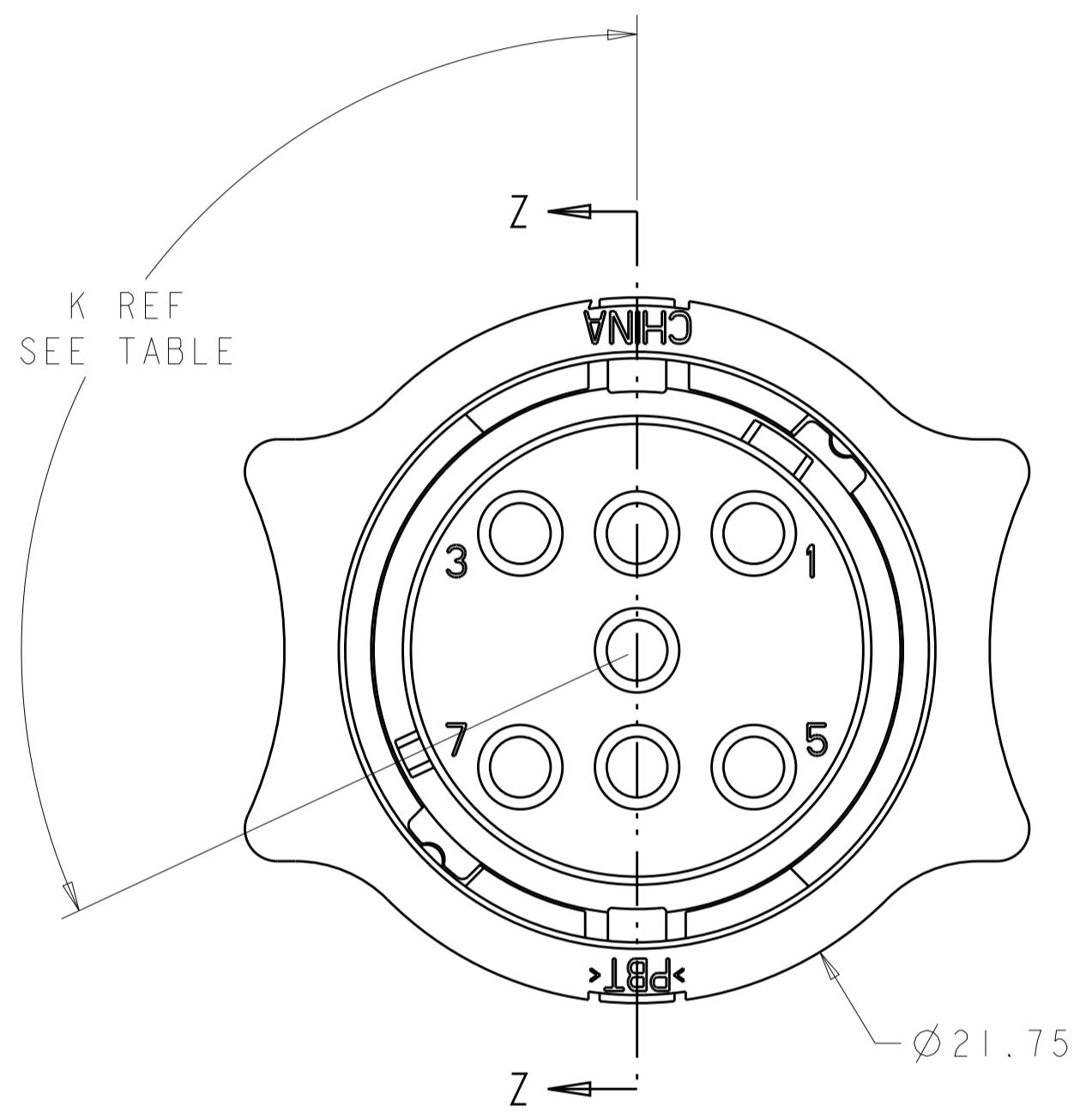
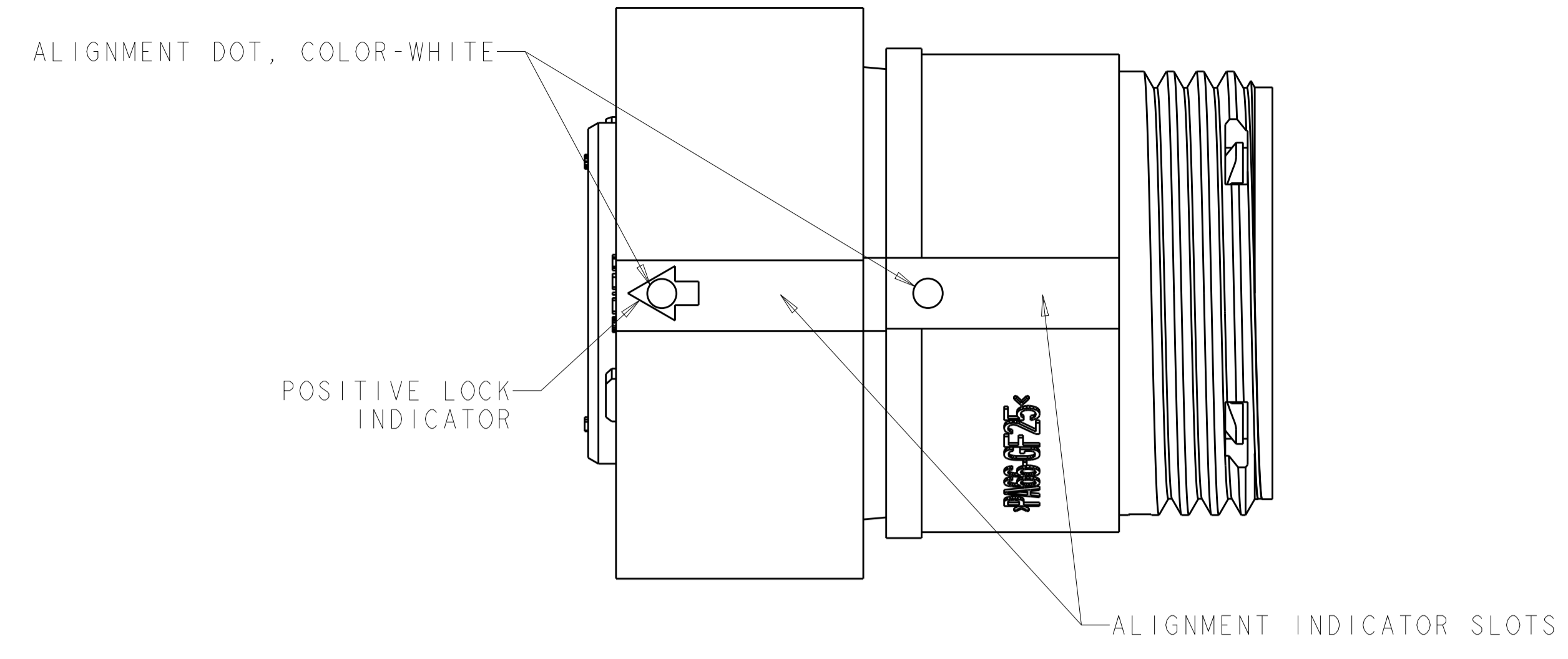
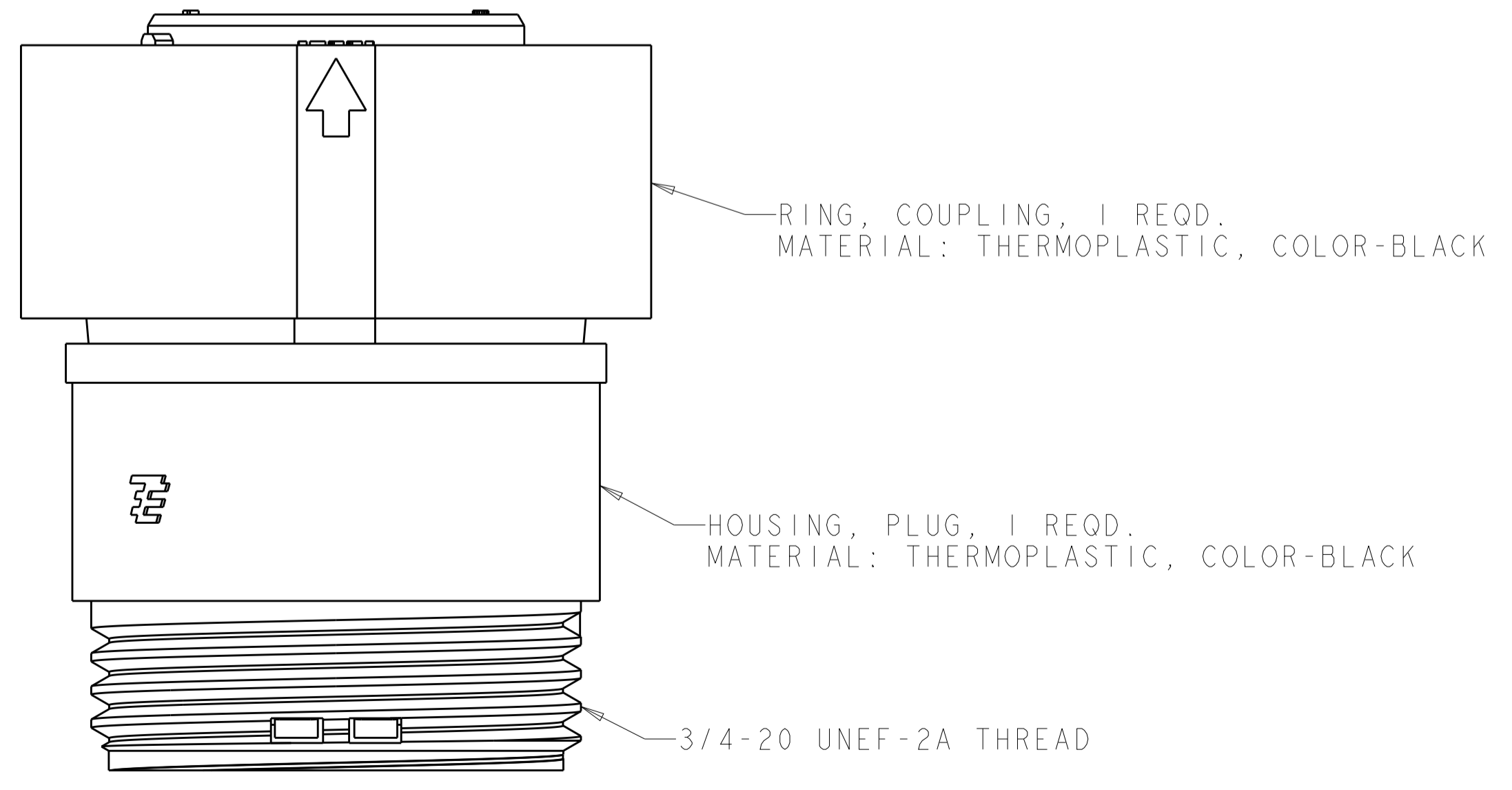


REVISIONS				
P.	LTN	DESCRIPTION	DATE	OWN APVD
C2		REVISED PER ECO-15-010004	13JUL2015	NK MZ
D		REVISED PER ECO-16-018352	24MAR2017	RS MZ



SEAL, WIRE ENTRY, 1 REQD.  
 MATERIAL: ELASTOMER, COLOR-SEE TABLE



OBSELETE	YELLOW	Ø0.75	135°	1445818-4
	NATURAL	Ø1.5	115°	1445818-3
OBSELETE	NATURAL	Ø1.5	135°	1445818-2
	YELLOW	Ø0.75	115°	1445818-1
	SEAL, WIRE ENTRY COLOR	ØX REF	K REF	PART NUMBER

THIS DRAWING IS A CONTROLLED DOCUMENT. DWN SHANE WIESE 16OCT2001  
 CHG G DOUTY 16OCT2001  
 APVD H. WAKEEM 13JUN2003

**STE** TE Connectivity

NAME ASSEMBLY, PLUG, SIZE 11, 7 POSITION, SEALED, MINI CPC  
 PRODUCT SPEC -  
 APPLICATION SPEC -

DIMENSIONS: mm  
 TOLERANCES UNLESS OTHERWISE SPECIFIED:  
 0 PLC ±  
 1 PLC ±  
 2 PLC ±0.13  
 3 PLC ±  
 4 PLC ±  
 ANGLES ±  
 FINISH -

MATERIAL SEE CALLOUT  
 WEIGHT -  
 CUSTOMER DRAWING

SIZE A100779 C=1445818  
 SCALE 5:1 SHEET 1 OF 1 REV D

# Mouser Electronics

Authorized Distributor

Click to View Pricing, Inventory, Delivery & Lifecycle Information:

[TE Connectivity:](#)

[1445818-1](#)