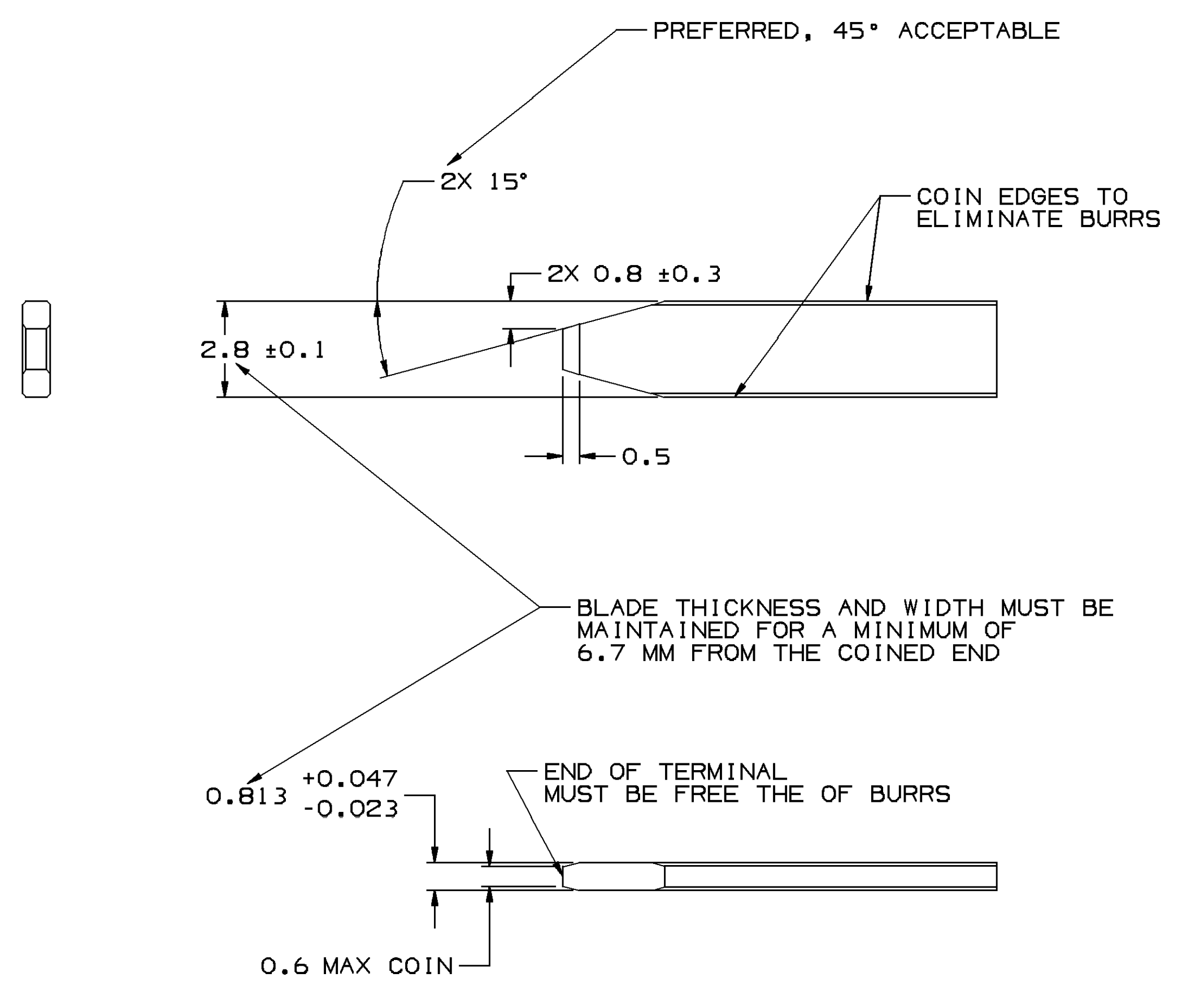


SYMBOL DEFINITION		MISSING SYMBOLS	
A DIMENSION WITHOUT AN INSPECTION REPORT SYMBOL () DOES NOT REQUIRE INSPECTION. IT MAY BE CONTROLLED ON THE INDIVIDUAL COMPONENT DRAWING.	TOTAL NO OF INSPECTIONS REQUIRED	83	NO MISSING SYMBOL NUMBER
	LAST NO. USED	68	

DWS STATUS					REVISION HISTORY					AUTH		DR		APVD	
DATE	STG	REV	W/P	CHG	ZONE	REVISION HISTORY					AUTH	DR	APVD	APVD	
05NO10	R	D1	-	-	-	CLEARED REVISION COLUMN AND REDRAWN					412406	MAB	JVM	FOO	
07MR11	R	D2	-	-	-	UPDATED PDM ATTRIBUTES					413568	MAB	JVM	GEM	



MATERIAL SPECIFICATIONS

RECOMMENDED

BASE METAL - CDA-210, GILDING, EXTRA SPRING TEMPER
 PLATING - 0.0050 ± 0.0025 MM THICK TIN

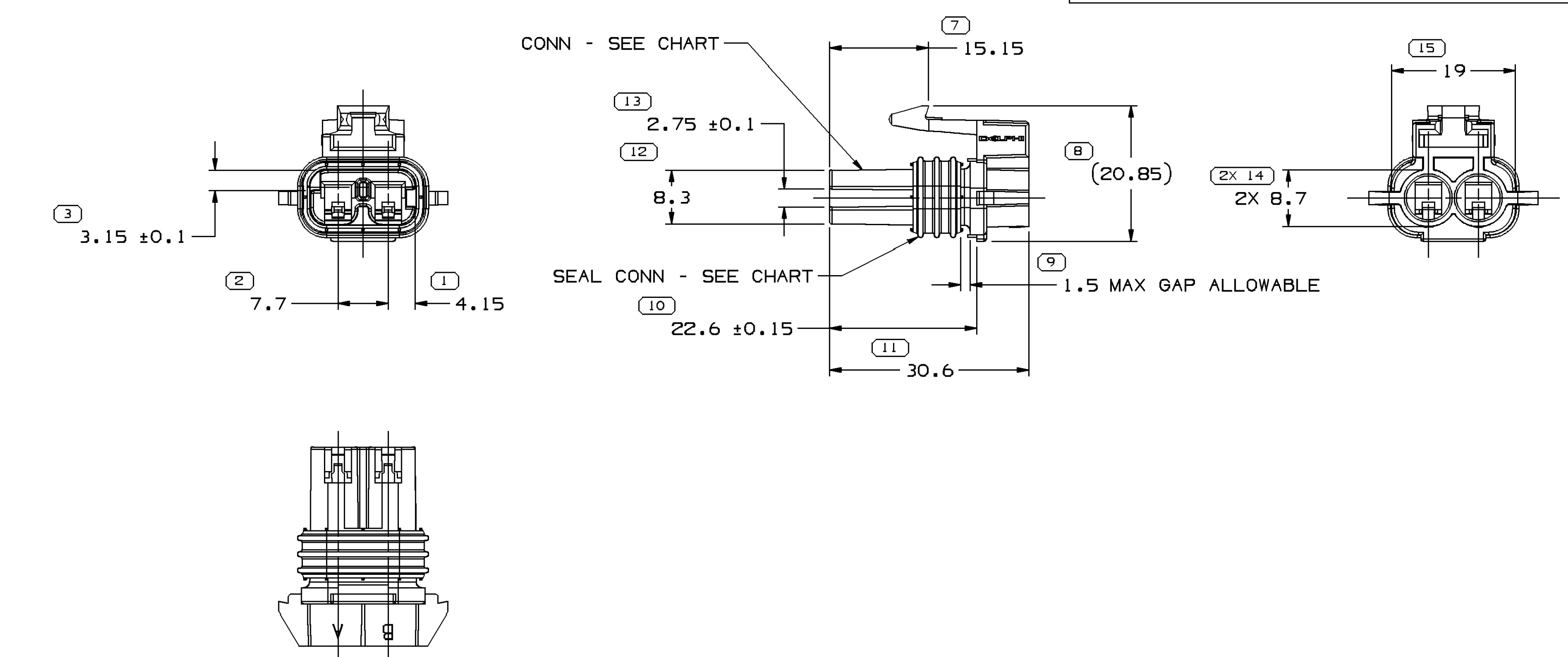
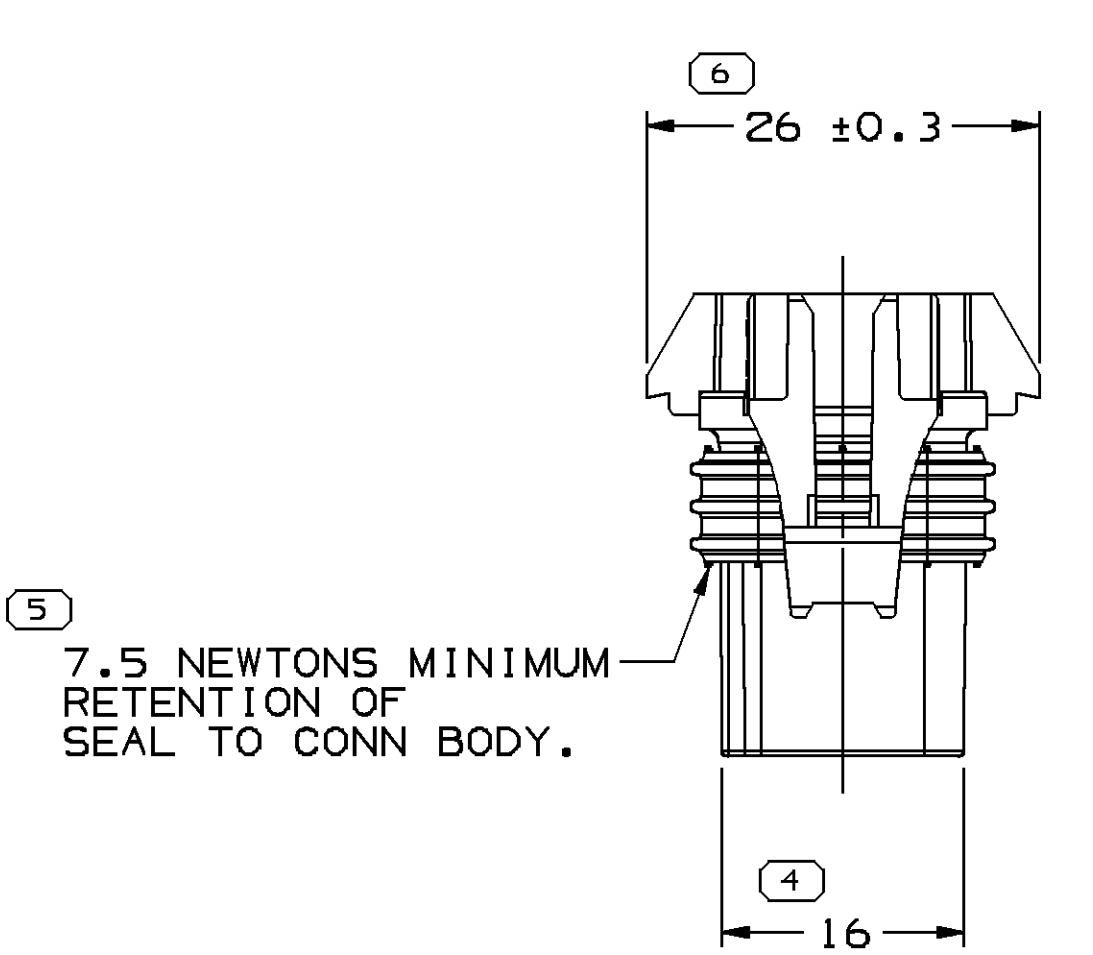
MINIMUMS

ELECTRICAL CONDUCTIVITY - ≥ 20% IACS AT 20°C. USE OF A MATERIAL WITH CONDUCTIVITY < 20% IACS MUST BE APPROVED BY PACKARD ELECTRIC MATERIALS ENGINEERING

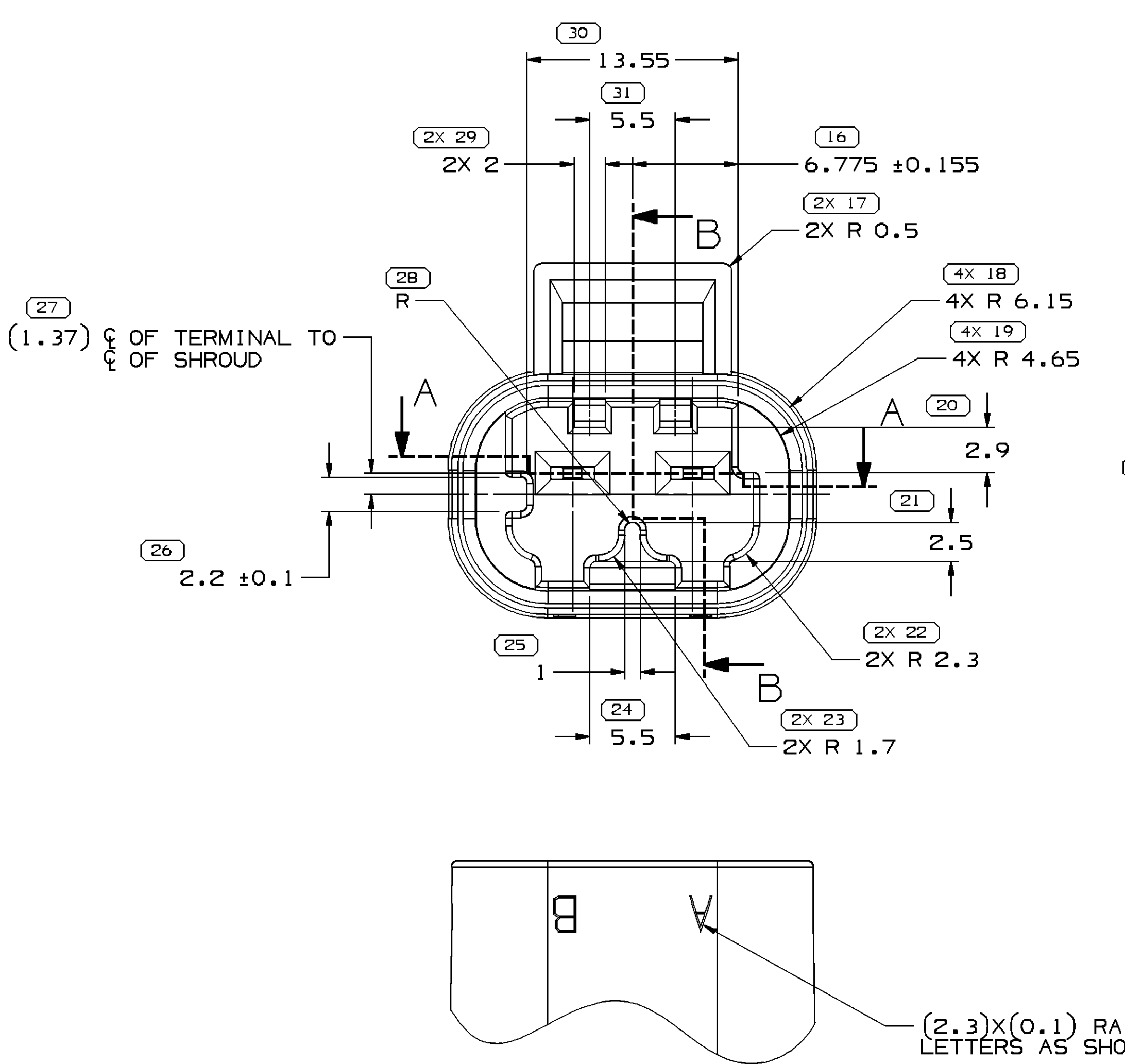
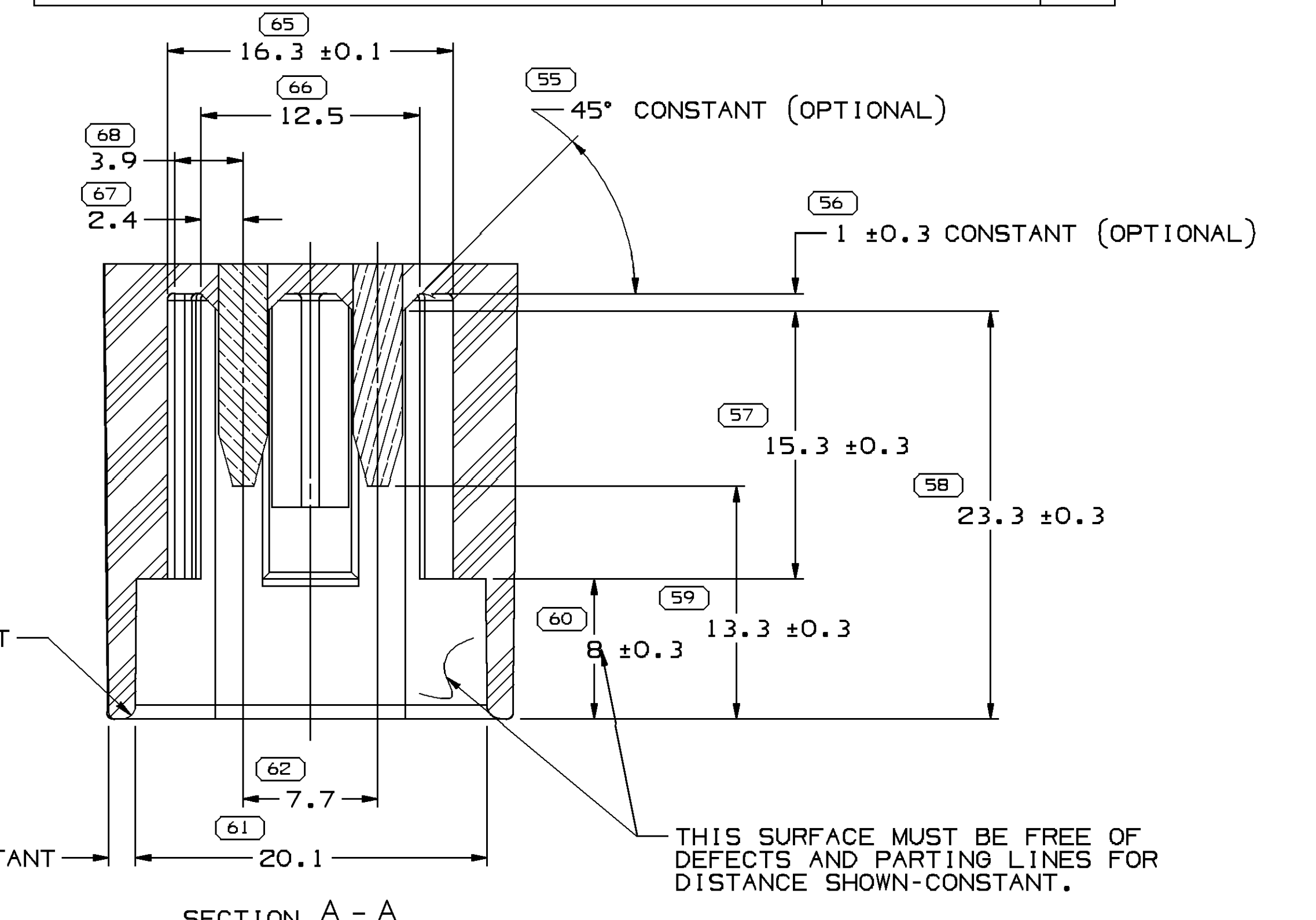
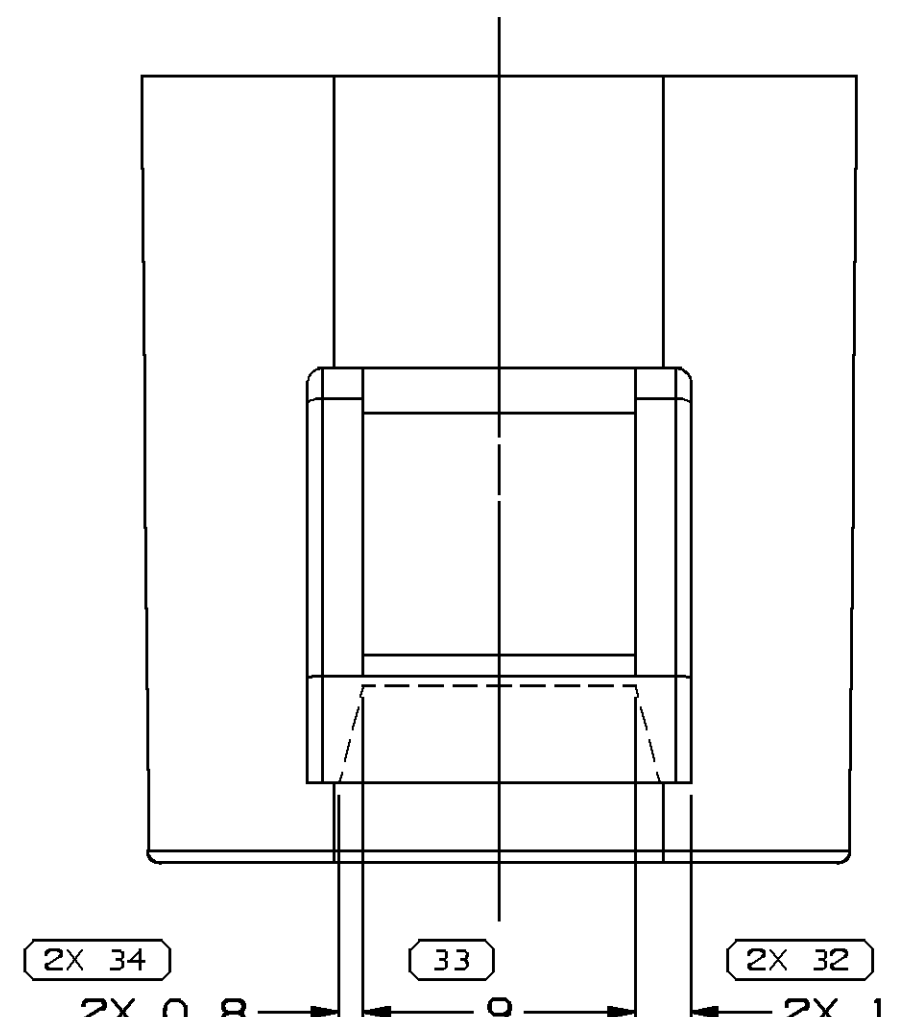
TENSILE STRENGTH - 407 MPa

PLATING - FOR LOW ENERGY (< 5v) AND NON-PASSENGER COMPARTMENT POWER CIRCUITS, 0.0050 ± 0.0025 MM THICK TIN. FOR MATERIALS CONTAINING 10% OR MORE ZINC, AN UNDERPLATE OF COPPER 0.0050 ± 0.0025 MM THICK IS REQUIRED.

MATING BLADE INFORMATION
SCALE 8:1



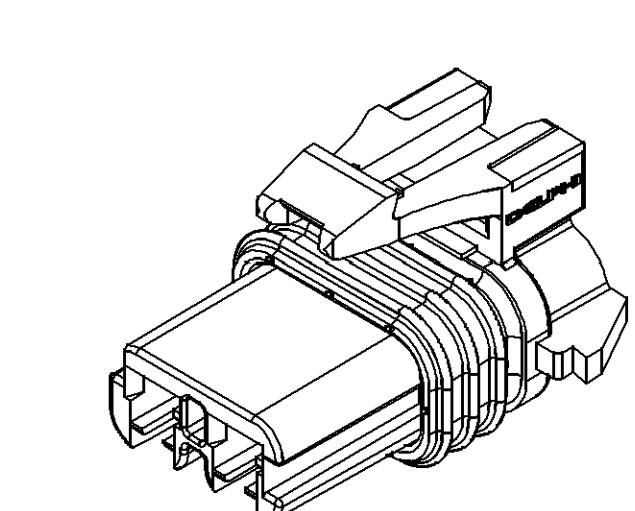
PART NO	SEAL CONN	CONNECTOR
12129487	15300020	12129486



- NOTES**
- UNLESS OTHERWISE SPECIFIED AND/OR INDICATED:
 DIMENSIONS ARE TO FACE OF VIEW SHOWN AND AUTOMATICALLY ROUNDED BY COMPUTER FOR INSPECTION (SEE MATH MODEL FOR PRECISE DIMENSIONS). FOR ALL OTHER DIMENSIONS NOT SHOWN BUT REQUIRED FOR TOOL BUILD, SEE MATH MODEL FOR PRECISE TOOL PATH DATA.
 ALL RADII 0.4
 DRAFT 15 1° MAX ON ALL OUTSIDE SURFACES.
 - RECOMMENDED MATERIAL - GLASS FILLED POLYESTER OR NYLON 66.
 - USE TAXI 12084172 FOR INLINE CONNECTOR INFORMATION.

MATING INSERT MOLDED/"PANEL" CONNECTOR INFORMATION
SCALE 4:1
(INSPECTION SYMBOLS SHOWN IN THESE VIEWS ARE FOR REFERENCE ONLY)

- NOTES**
- UNLESS OTHERWISE SPECIFIED AND/OR INDICATED:
 DIMENSIONS ARE TO FACE OF VIEW SHOWN AND AUTOMATICALLY ROUNDED BY COMPUTER FOR INSPECTION (SEE MATH MODEL FOR PRECISE DIMENSIONS). FOR ALL OTHER DIMENSIONS NOT SHOWN BUT REQUIRED FOR TOOL BUILD, SEE MATH MODEL FOR PRECISE TOOL PATH DATA.
 - SEALING CODE 3 - DESIGN WILL PASS SALT FOG AND IMMERSION TEST AFTER CONDITIONING AS SPECIFIED IN ESA-644 (WEATHER-PACK), ESA-710 (METRI-PACK), ESA-650 (UNDERHOOD MICRO-PACK), C-4006 (WORLD CONNECTOR), ETC WHEN MATED TO MATING PART OR EQUIVALENT
 - WHEN PARTS ARE SHIPPED, THEY MUST BE PACKED IN PLASTIC BAGS OR SHIPPING CONTAINERS MUST BE LINED WITH PLASTIC LINERS. BAGS OR LINERS MUST BE SEALED TO AVOID ENTRY OF FOREIGN MATTER.
 - FOR APPLICATION DATA SEE THE APPLICATION DRAWING.
 - THIS PRODUCT IS NOT CATEGORIZED AS AN APPEARANCE ITEM, MINOR IMPERFECTIONS INCLUDING, BUT NOT LIMITED TO, FLOW MARKS, COLOR BLEMISHES, GATE VESTIGE, AND SOFT FLASH THAT DO NOT AFFECT THE FIT, FORM, OR FUNCTION OF THE PART ARE PERMISSIBLE PER DPNP-4.7-CS-01.



DIMENSIONAL RANGE (MM)	CHART SET	THIRD ANGLE PROJECTION	DO NOT SCALE
FROM > 0	> 20	> 30	> 70
TO 20	30	70	100
	100	150	200
	200	250	300
	300	400	400
TOLERANCE UNLESS OTHERWISE SPECIFIED			
ANGULAR TOLERANCE ±2°			

DELPHI
 DELPHI PACKARD ELECTRICAL/ELECTRONIC ARCHITECTURE
 WARREN, OH

DATE: 19 JUL 89

APV01 J. COLDSNOW
 APV02 J. M. DRAPCHD
 APV03 T. E. GENT
 APV04
 APV05

THIS DOCUMENT IS IN ACCORDANCE WITH ASME Y14.5M-1994 AS MODIFIED BY THE 2003 SUPPLEMENT AND TELEPHONING ADDENDUM-2001. SEPARATE PATTERNS OF FEATURES MAY BE SHOWN SEPARATELY, REGARDLESS OF DATUM REFERENCES.

ALL DIMENSIONS ARE IN MILLIMETERS

UNLESS OTHERWISE SPECIFIED

REFERENCE: ASM CONN 2 F M/P 280 SLD

DRAWING NUMBER: 12129487

SHEET NO 1 OF 1

Mouser Electronics

Authorized Distributor

Click to View Pricing, Inventory, Delivery & Lifecycle Information:

[Aptiv:](#)

[12129487](#)