

| REVISIONS |                             | DATE      | BY  | APPV |
|-----------|-----------------------------|-----------|-----|------|
| C5        | DETAILS SEE PEN E-16-006710 | 09MAY2006 | MAH | DLIC |
| C6        | DETAILS SEE PEN E-17-013146 | 30MAY2007 | HO  | DLIC |
| C7        | DETAILS SEE PEN E-17-017363 | 19DEC2007 | MAH | DLIC |
| C8        | DETAILS SEE PEN E-18-001456 | 29JAN2018 | MAH | DLIC |

WAS EGATN05327-0011  
War

| GROUP<br>Gruppe                     | A<br>114-18743-1                              |   |   | B<br>114-18739-1                              |   | C<br>114-18740-1                              |   |   |   |   |
|-------------------------------------|---|---|---|---|---|---|---|---|---|---|
| INTERFACE<br>Schnittstelle          |   |   |   |   |   |   |   |   |   |   |
| PICTURE<br>Abbildung                |   |   |   |   |   |   |   |   |   |   |
| NUMBER OF POLES / Polzahl           | 2POS. / 2pot.                                 | 3POS. / 3pot.                                 | 2POS. / 2pot.                                 | 4POS. / 4pot.                                 | 6POS. / 6pot.                                 | 6POS. / 6pot.                                 | 8POS. / 8pot.                                 | 7POS. / 7pot.                                 | 2POS. / 2pot.                                 | 2POS. / 2pot.                                 |
| CONTACT SYSTEM / Kontaktsystem      | AMP MCP2.8                                    | AMP MCP1.5k                                   | AMP MCP1.5k                                   | AMP MCP2.8                                    | AMP MCP1.5k                                   | AMP MCP2.8                                    | AMP MCP1.5k                                   | AMP MCP1.5k/2.8 MIX                           | AMP MCP 6.3/4.8k                              | AMP MCP 6.3/4.8k                              |
| TE PART NUMBER (BASIC)              | PN: 1418483                                   | PN: 1418448                                   | PN: X-1418448-2                               | PN: 1418390                                   | PN: 1418469                                   | PN: 1418437                                   | PN: 1418479                                   | PN: 1418480                                   | PN: 1564542                                   | PN: 1564542                                   |
| TE Bestellnummer (Basis)            |   |   |   |   |   |   |   |   |   |   |
| CONTACT DRAWING<br>SEALED           | 1355036<br>WIRE SIZE: MAX. 2.5mm <sup>2</sup> | 1241436<br>WIRE SIZE: MAX. 1.5mm <sup>2</sup> | 1241436<br>WIRE SIZE: MAX. 1.5mm <sup>2</sup> | 1355036<br>WIRE SIZE: MAX. 2.5mm <sup>2</sup> | 1241436<br>WIRE SIZE: MAX. 1.5mm <sup>2</sup> | 1355036<br>WIRE SIZE: MAX. 2.5mm <sup>2</sup> | 1241436<br>WIRE SIZE: MAX. 1.5mm <sup>2</sup> | 1355036<br>WIRE SIZE: MAX. 2.5mm <sup>2</sup> | 1241436<br>WIRE SIZE: MAX. 6.0mm <sup>2</sup> | 1241436<br>WIRE SIZE: MAX. 6.0mm <sup>2</sup> |
| Kontaktzeichnung<br>gedichtet       |   |   |   |   |   |   |   |   |   |   |
| PICTURE<br>Abbildung                |   |   |   |   |   |   |   |   |   |   |
| NUMBER OF POLES / Polzahl           | 2 POS. / 2pot.                                | 3 POS. / 3pot.                                | 2 POS. / 2pot.                                | 4 POS. / 4pot.                                | 6 POS. / 6pot.                                | 6POS. / 6pot.                                 | 8 POS. / 8pot.                                | 7 POS. / 7pot.                                | 2 POS. / 2pot.                                | 2 POS. / 2pot.                                |
| TAB SIZE / TAB Groesse              | 2.8mm x 0.8mm                                 | 1.6mm x 0.6mm                                 | 1.6mm x 0.6mm                                 | 2.8mm x 0.8mm                                 | 1.6mm x 0.6mm                                 | 2.8mm x 0.8mm                                 | 1.6mm x 0.6mm                                 | 1.6mm x 0.6mm<br>2.8mm x 0.8mm                | 5.8mm x 0.8mm                                 | 5.8mm x 0.8mm                                 |
| TE PART NUMBER (BASIC)              | PN: 1703841                                   | PN: 1703843                                   | PN: TBD                                       | PN: 1703808                                   | PN: 1703820                                   | PN: TBD                                       | PN: 1564416                                   | PN: 1670214                                   | PN: 1564546                                   | PN: 1564546                                   |
| TE Bestellnummer (Basis)            |   |   |   |   |   |   |   |   |   |   |
| PRODUCT FEATURES<br>Produktmerkmal  | HOUSING WITH FLANGE<br>Flanschgehäuse         | HOUSING WITH FLANGE<br>Flanschgehäuse         | HOUSING WITH FLANGE<br>Flanschgehäuse         | HOUSING WITH FLANGE<br>Flanschgehäuse         | HOUSING WITH FLANGE<br>Flanschgehäuse         | HOUSING WITH FLANGE<br>Flanschgehäuse         | HOUSING WITH FLANGE<br>Flanschgehäuse         | HOUSING WITH FLANGE<br>Flanschgehäuse         | HOUSING WITH FLANGE<br>Flanschgehäuse         | HOUSING WITH FLANGE<br>Flanschgehäuse         |
| CONTACT DRAWING<br>SEALED           | 1355052<br>WIRE SIZE: MAX. 2.5mm <sup>2</sup> | 1355055<br>WIRE SIZE: MAX. 1.5mm <sup>2</sup> | 1355055<br>WIRE SIZE: MAX. 1.5mm <sup>2</sup> | 1355052<br>WIRE SIZE: MAX. 2.5mm <sup>2</sup> | 1355055<br>WIRE SIZE: MAX. 1.5mm <sup>2</sup> | 1355052<br>WIRE SIZE: MAX. 2.5mm <sup>2</sup> | 1355055<br>WIRE SIZE: MAX. 1.5mm <sup>2</sup> | 1355055<br>WIRE SIZE: MAX. 1.5mm <sup>2</sup> | 1241895<br>WIRE SIZE: MAX. 6.0mm <sup>2</sup> | 1241895<br>WIRE SIZE: MAX. 6.0mm <sup>2</sup> |
| Kontaktzeichnung<br>gedichtet       |   |   |   |   |   |   |   |   |   |   |
| PICTURE<br>Abbildung                |   |   |   |   |   |   |   |   |   |   |
| NUMBER OF POLES / Polzahl           | 2 POS. / 2pot.                                | 3 POS. / 3pot.                                | 2 POS. / 2pot.                                | 4 POS. / 4pot.                                | 6 POS. / 6pot.                                | 6POS. / 6pot.                                 | 8 POS. / 8pot.                                | 7 POS. / 7pot.                                | 2 POS. / 2pot.                                | 2 POS. / 2pot.                                |
| TAB SIZE / TAB Groesse              | 2.8mm x 0.8mm                                 | 1.6mm x 0.6mm                                 | 1.6mm x 0.6mm                                 | 2.8mm x 0.8mm                                 | 1.6mm x 0.6mm                                 | 2.8mm x 0.8mm                                 | 1.6mm x 0.6mm                                 | 1.6mm x 0.6mm<br>2.8mm x 0.8mm                | 5.8mm x 0.8mm                                 | 5.8mm x 0.8mm                                 |
| TE PART NUMBER (BASIC)              | PN: 1703839                                   | PN: 1670730                                   | PN: TBD                                       | PN: 1703818                                   | PN: 1703773                                   | PN: TBD                                       | PN: 1564512                                   | PN: 1703648                                   | PN: 1564544                                   | PN: 1564544                                   |
| TE Bestellnummer (Basis)            |   |   |   |   |   |   |   |   |   |   |
| PRODUCT FEATURES<br>Produktmerkmal  | -   | -   | -   | -   | -   | -   | -   | -   | -   | -   |
| CONTACT DRAWING<br>Kontaktzeichnung | 1355052<br>WIRE SIZE: MAX. 2.5mm <sup>2</sup> | 1355055<br>WIRE SIZE: MAX. 1.5mm <sup>2</sup> | 1355055<br>WIRE SIZE: MAX. 1.5mm <sup>2</sup> | 1355052<br>WIRE SIZE: MAX. 2.5mm <sup>2</sup> | 1355055<br>WIRE SIZE: MAX. 1.5mm <sup>2</sup> | 1355052<br>WIRE SIZE: MAX. 2.5mm <sup>2</sup> | 1355055<br>WIRE SIZE: MAX. 1.5mm <sup>2</sup> | 1355055<br>WIRE SIZE: MAX. 1.5mm <sup>2</sup> | 1241895<br>WIRE SIZE: MAX. 6.0mm <sup>2</sup> | 1241895<br>WIRE SIZE: MAX. 6.0mm <sup>2</sup> |
| Kontaktzeichnung<br>gedichtet       |   |   |   |   |   |   |   |   |   |   |

ACCESSORIES SEE PAGE 3  
Zubehoer siehe Seite 3

THIS DRAWING IS NOT SUBJECT TO CONSTANT CHANGING SERVICE AND DOES NOT LAY CLAIM TO BE COMPLETE. FOR DEFINITE SPECIFICATION SEE RESPECTIVE TE CUSTOMER DRAWINGS. FURTHER VERSIONS ON INQUIRY.

Diese Zeichnung unterliegt nicht dem ständigen Aenderungsdienst und erhebt keinen Anspruch auf Vollstaendigkeit. Verbindliche Angaben sind der jeweiligen TE-Kundenzeichnung zu entnehmen. Weitere Ausfuehrungen auf Anfrage.

|  |                 |                 |
|--|-----------------|-----------------|
| THIS DRAWING IS A CONTROLLED DOCUMENT. | DATE: 07DEC2007 | BY: J. Bischoff |
| REVISIONS                              | DATE: 07DEC2007 | BY: J. Bischoff |
| DESCRIPTION                            | DATE: 08DEC2007 | BY: J. Bischoff |
| PRODUCT SPEC                           | DATE: 08DEC2007 | BY: J. Bischoff |
| APPLICATION SPEC                       | DATE: 08DEC2007 | BY: J. Bischoff |
| WIRING DIAGRAM                         | DATE: 08DEC2007 | BY: J. Bischoff |
| TESTING PROCEDURE                      | DATE: 08DEC2007 | BY: J. Bischoff |
| INSPECTION PROCEDURE                   | DATE: 08DEC2007 | BY: J. Bischoff |
| MATERIAL                               | DATE: 08DEC2007 | BY: J. Bischoff |

STE TE Connectivity

PRODUCT GROUP DRAWING: HDSCS  
Produktgruppenzeichnung: HDSCS  
(Heavy Duty Sealed Connector Series)

SCALE: 1:1 SHEET: 1 OF 3

| REVISIONS |             | DATE | BY | APPD |
|-----------|-------------|------|----|------|
| 1         | SEE SHEET 1 | -    | -  | -    |

WAS EGATN05327-0011  
War

| GROUP<br>Gruppe  | D<br>114-18807-1                              |   |  |  | E<br>114-18799-1                              |   |  |  |   |  |  |  |
|--|---|---|--|--|---|---|--|--|---|--|--|--|
|  | INTERFACE<br>Schnittstelle                    |   |  |  |   |   |  |  |   |  |  |  |
| PICTURE<br>Abbildung                                       |   |   |  |  |   |   |  |  |   |  |  |  |
| NUMBER OF POLES / Polzahl                                  | 8POS. / 8pol.                                 | 12POS. / 12pol.                               | 10POS. / 10pol.  | 4POS. / 4pol.  | 12POS. / 12pol.                               | 18POS. / 18pol.                               | 16POS. / 16pol.  | 15POS. / 15pol.  | 4POS. / 4pol.                                 | 8POS. / 8pol.  | 6POS. / 6pol.  |  |
| CONTACT SYSTEM / Kontaktsystem                             | AMP MCP2.8                                    | AMP MCP1.5k                                   | AMP MCP1.5k/2.8 MIX  | AMP MCP1.5k/6.3 MIX  | AMP MCP2.8                                    | AMP MCP1.5k                                   | AMP MCP1.5k/2.8 MIX  | AMP MCP1.5k/2.8 MIX  | AMP MCP6.3/4.8                                | AMP MCP2.8/6.3 MIX   | AMP MCP2.8/6.3 MIX   |  |
| TE PART NUMBER (BASIC)<br>TE Bestellnummer (Basis)         | PN: 1670894                                   | PN: 1703639                                   | PN: 1564514  | PN: 2208157  | PN: 1670901                                   | PN: 1563759                                   | PN: 1564337  | PN: 1563878  | PN: 1564330                                   | PN: 2299782  | PN: X-2299782-2  |  |
| CONTACT DRAWING<br>SEALED<br>Kontaktzeichnung<br>gedichtet | 1355036<br>WIRE SIZE: MAX. 2.5mm <sup>2</sup> | 1241436<br>WIRE SIZE: MAX. 1.5mm <sup>2</sup> | 1355036<br>WIRE SIZE: MAX. 2.5mm <sup>2</sup><br>1241436<br>WIRE SIZE: MAX. 1.5mm <sup>2</sup> | 1241438<br>WIRE SIZE: MAX. 6.0mm <sup>2</sup><br>1241436<br>WIRE SIZE: MAX. 1.5mm <sup>2</sup> | 1355036<br>WIRE SIZE: MAX. 2.5mm <sup>2</sup> | 1241436<br>WIRE SIZE: MAX. 1.5mm <sup>2</sup> | 1355036<br>WIRE SIZE: MAX. 2.5mm <sup>2</sup><br>1241436<br>WIRE SIZE: MAX. 1.5mm <sup>2</sup> | 1355036<br>WIRE SIZE: MAX. 2.5mm <sup>2</sup><br>1241436<br>WIRE SIZE: MAX. 1.5mm <sup>2</sup> | 1241438<br>WIRE SIZE: MAX. 6.0mm <sup>2</sup> | 1241438<br>WIRE SIZE: MAX. 6.0mm <sup>2</sup><br>1355036<br>WIRE SIZE: MAX. 2.5mm <sup>2</sup> | 1241438<br>WIRE SIZE: MAX. 6.0mm <sup>2</sup><br>1355036<br>WIRE SIZE: MAX. 2.5mm <sup>2</sup> |  |
| PICTURE<br>Abbildung                                       |   |   |  |  |   |   |  |  |   |  |  |  |
| NUMBER OF POLES / Polzahl                                  | 8 POS. / 8pol.                                | 12 POS. / 12pol.                              | 10 POS. / 10pol.   | 4 POS. / 4pol.   | 12 POS. / 12pol.                              | 18 POS. / 18pol.                              | 16 POS. / 16pol.   | 15 POS. / 15pol.   | 4 POS. / 4pol.                                | 8 POS. / 8 pol.  | 6 POS. / 6 pol.  |  |
| TAB SIZE / TAB Groesse                                     | 2.8mm x 0.8mm                                 | 1.6mm x 0.6mm                                 | 1.6mm x 0.6mm<br>2.8mm x 0.8mm   | 1.6mm x 0.6mm<br>5.8mm x 0.8mm   | 2.8mm x 0.8mm                                 | 1.6mm x 0.6mm                                 | 1.6mm x 0.6mm<br>2.8mm x 0.8mm   | 1.6mm x 0.6mm<br>2.8mm x 0.8mm   | 5.8mm x 0.8mm                                 | 2.8mm x 0.8mm<br>5.8mm x 0.8mm   | 2.8mm x 0.8mm<br>5.8mm x 0.8mm   |  |
| TE PART NUMBER (BASIC)<br>TE Bestellnummer (Basis)         | PN: TBD                                       | PN: 1564520                                   | PN: 1564518  | PN: TBD  | PN: TBD                                       | PN: 1564526                                   | PN: 1564407  | PN: 1564532  | PN: 1564536                                   | PN: TBD  | PN: TBD  |  |
| PRODUCT FEATURES<br>Produktmerkmal                         | HOUSING WITH FLANGE<br>Flanschgehäuse         | HOUSING WITH FLANGE<br>Flanschgehäuse         | HOUSING WITH FLANGE<br>Flanschgehäuse  | HOUSING WITH FLANGE<br>Flanschgehäuse  | HOUSING WITH FLANGE<br>Flanschgehäuse         | HOUSING WITH FLANGE<br>Flanschgehäuse         | HOUSING WITH FLANGE<br>Flanschgehäuse  | HOUSING WITH FLANGE<br>Flanschgehäuse  | HOUSING WITH FLANGE<br>Flanschgehäuse         | HOUSING WITH FLANGE<br>Flanschgehäuse  | HOUSING WITH FLANGE<br>Flanschgehäuse  |  |
| CONTACT DRAWING<br>Kontaktzeichnung<br>gedichtet           | 1355052<br>WIRE SIZE: MAX. 2.5mm <sup>2</sup> | 1355055<br>WIRE SIZE: MAX. 1.5mm <sup>2</sup> | 1355055<br>WIRE SIZE: MAX. 1.5mm <sup>2</sup><br>1355052<br>WIRE SIZE: MAX. 2.5mm <sup>2</sup> | 1355055<br>WIRE SIZE: MAX. 1.5mm <sup>2</sup><br>1241895<br>WIRE SIZE: MAX. 6.0mm <sup>2</sup> | 1355052<br>WIRE SIZE: MAX. 2.5mm <sup>2</sup> | 1355055<br>WIRE SIZE: MAX. 1.5mm <sup>2</sup> | 1355055<br>WIRE SIZE: MAX. 1.5mm <sup>2</sup><br>1355052<br>WIRE SIZE: MAX. 2.5mm <sup>2</sup> | 1355055<br>WIRE SIZE: MAX. 1.5mm <sup>2</sup><br>1355052<br>WIRE SIZE: MAX. 2.5mm <sup>2</sup> | 1241895<br>WIRE SIZE: MAX. 6.0mm <sup>2</sup> | 1355052<br>WIRE SIZE: MAX. 2.5mm <sup>2</sup><br>1241895<br>WIRE SIZE: MAX. 6.0mm <sup>2</sup> | 1355052<br>WIRE SIZE: MAX. 2.5mm <sup>2</sup><br>1241895<br>WIRE SIZE: MAX. 6.0mm <sup>2</sup> |  |
| PICTURE<br>Abbildung                                       |   |   |  |  |   |   |  |  |   |  |  |  |
| NUMBER OF POLES / Polzahl                                  | 8 POS. / 8pol.                                | 12 POS. / 12pol.                              | 10 POS. / 10pol.   | 4 POS. / 4pol.   | 12 POS. / 12pol.                              | 18 POS. / 18pol.                              | 16 POS. / 16pol.   | 15 POS. / 15pol.   | 4 POS. / 4pol.                                | 8 POS. / 8 pol.  | 6 POS. / 6 pol.  |  |
| TAB SIZE / TAB Groesse                                     | 2.8mm x 0.8mm                                 | 1.6mm x 0.6mm                                 | 1.6mm x 0.6mm<br>2.8mm x 0.8mm   | 1.6mm x 0.6mm<br>5.8mm x 0.8mm   | 2.8mm x 0.8mm                                 | 1.6mm x 0.6mm                                 | 1.6mm x 0.6mm<br>2.8mm x 0.8mm   | 1.6mm x 0.6mm<br>2.8mm x 0.8mm   | 5.8mm x 0.8mm                                 | 2.8mm x 0.8mm<br>5.8mm x 0.8mm   | 2.8mm x 0.8mm<br>5.8mm x 0.8mm   |  |
| TE PART NUMBER (BASIC)<br>TE Bestellnummer (Basis)         | PN: 1564522                                   | PN: 1564414                                   | PN: 1564516  | PN: TBD  | PN: TBD                                       | PN: 1564412                                   | PN: 1564528  | PN: 1564530  | PN: 1564534                                   | PN: TBD  | PN: TBD  |  |
| PRODUCT FEATURES<br>Produktmerkmal                         | -   | -   | -  | -  | -   | -   | -  | -  | -   | -  | -  |  |
| CONTACT DRAWING<br>Kontaktzeichnung<br>gedichtet           | 1355052<br>WIRE SIZE: MAX. 2.5mm <sup>2</sup> | 1355055<br>WIRE SIZE: MAX. 1.5mm <sup>2</sup> | 1355055<br>WIRE SIZE: MAX. 1.5mm <sup>2</sup><br>1355052<br>WIRE SIZE: MAX. 2.5mm <sup>2</sup> | 1355055<br>WIRE SIZE: MAX. 1.5mm <sup>2</sup><br>1241895<br>WIRE SIZE: MAX. 6.0mm <sup>2</sup> | 1355052<br>WIRE SIZE: MAX. 2.5mm <sup>2</sup> | 1355055<br>WIRE SIZE: MAX. 1.5mm <sup>2</sup> | 1355055<br>WIRE SIZE: MAX. 1.5mm <sup>2</sup><br>1355052<br>WIRE SIZE: MAX. 2.5mm <sup>2</sup> | 1355055<br>WIRE SIZE: MAX. 1.5mm <sup>2</sup><br>1355052<br>WIRE SIZE: MAX. 2.5mm <sup>2</sup> | 1241895<br>WIRE SIZE: MAX. 6.0mm <sup>2</sup> | 1355052<br>WIRE SIZE: MAX. 2.5mm <sup>2</sup><br>1241895<br>WIRE SIZE: MAX. 6.0mm <sup>2</sup> | 1355052<br>WIRE SIZE: MAX. 2.5mm <sup>2</sup><br>1241895<br>WIRE SIZE: MAX. 6.0mm <sup>2</sup> |  |

ACCESSORIES SEE PAGE 3  
Zubehoer siehe Seite 3

THIS DRAWING IS NOT SUBJECT TO CONSTANT CHANGING SERVICE AND DOES NOT LAY CLAIM TO BE COMPLETE. FOR DEFINITE SPECIFICATION SEE RESPECTIVE TE CUSTOMER DRAWINGS. FURTHER VERSIONS ON INQUIRY.

Diese Zeichnung unterliegt nicht dem ständigen Änderungsdienst und erhebt keinen Anspruch auf Vollständigkeit. Verbindliche Angaben sind der jeweiligen TE-Kundenzeichnung zu entnehmen. Weitere Ausführungen auf Anfrage.

THIS DRAWING IS A CONTROLLED DOCUMENT.  
REVISIONS: 01 DEC 2007  
DATE: 07 DEC 2007  
BY: J. Bischoff  
CHK: J. Granzow  
08 DEC 2007  
BY: E. Edzwald  
DATE: 08 DEC 2007  
PRODUCT SPEC: 108-94.020  
APPLICATION SPEC: 108-94.020  
DRAWING NO.: 1563759  
SCALE: 1:1  
MATERIAL: -  
FINISHING/REMARKS: -

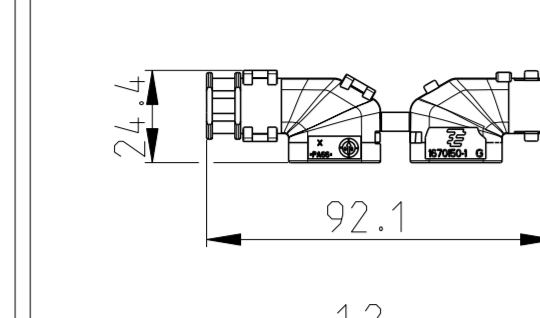
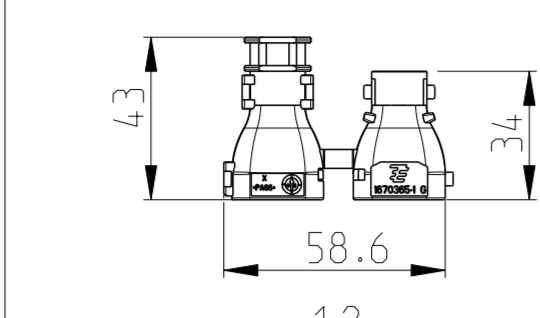
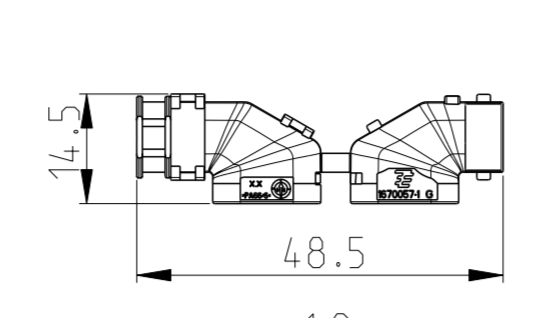
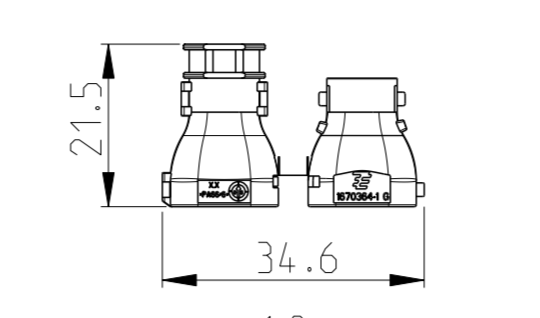
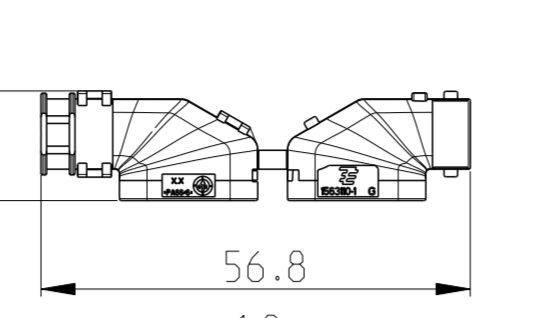
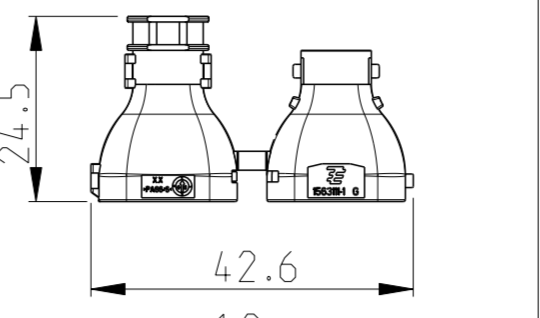
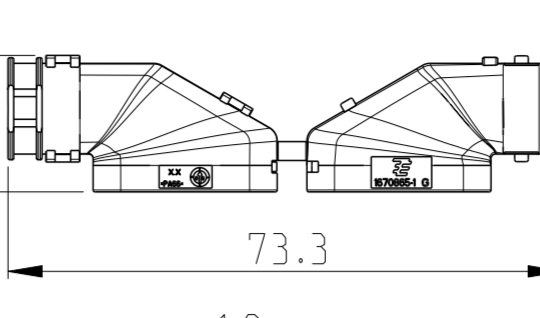
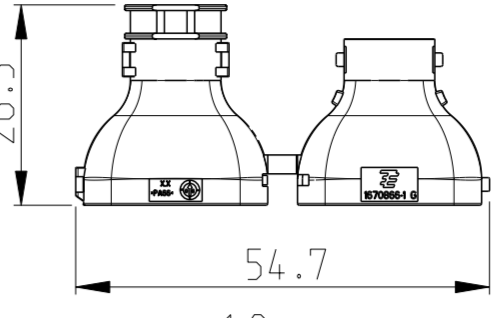
STE TE Connectivity  
PRODUCT GROUP DRAWING: HDSCS  
Produktgruppenzeichnung: HDSCS  
(Heavy Duty Sealed Connector Series)

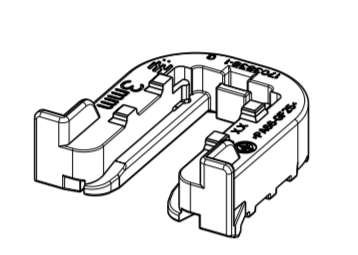
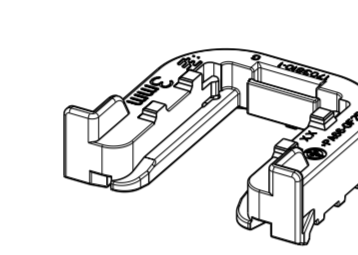
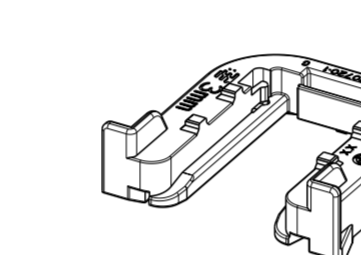
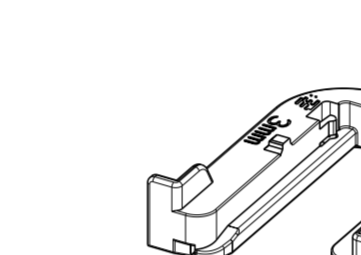
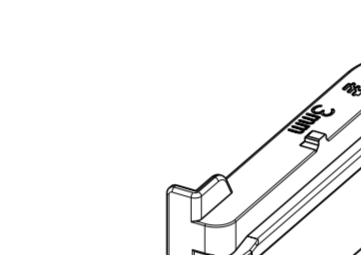
SIZE: A0  
CASE CODE: 00779  
DRAWING NO.: 1563709  
SCALE: 5:1  
SHEET: 2  
BLK: C8

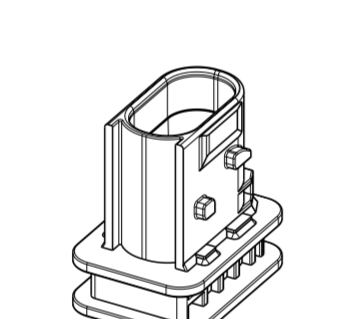
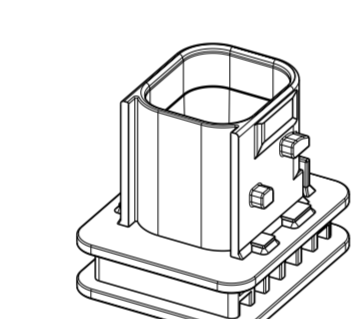
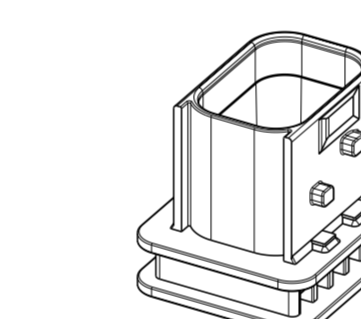
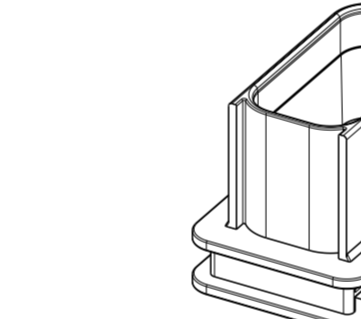
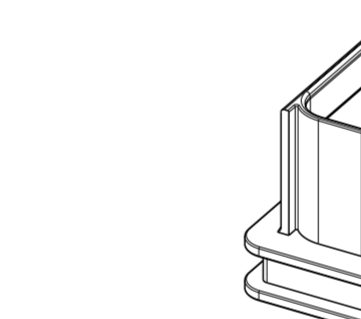
CUSTOMER DRAWING

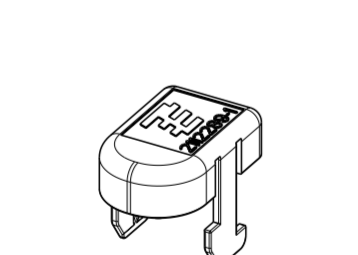
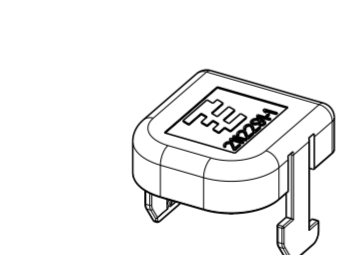
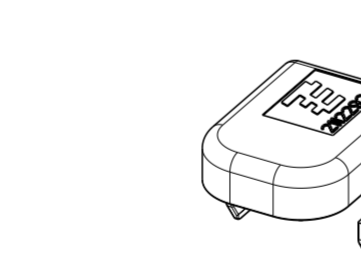
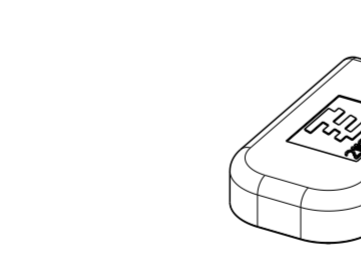
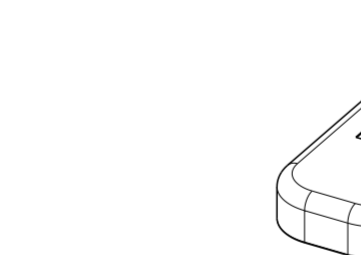
| REV. NO. | DATE      | DESCRIPTION | BY | CHK |
|----------|-----------|-------------|----|-----|
| 1        | 07DEC2007 | SEE SHEET 1 |    |     |

WAS EGATN05327-0011  
War

| GROUP<br>Gruppe                              | A  | B  | C  | D  | E  |  |  |  |  |                 |
|--|--|--|--|--|--|--|--|--|--|-----------------|
| COVER<br>Kappen                              | <br>1:2 | <br>1:2 | PICTURES NOT AVAILABLE<br>Bilder nicht verfuegbar<br>(SEE DRAWINGS)<br>(Siehe Zeichnungen) | <br>1:2 | <br>1:2 | <br>1:2 | <br>1:2 | <br>1:2 | <br>1:2 |                 |
| TE PART NUMBER<br>TE Bestellnummer           | PN: 0-1670150-1  | PN: 0-1670365-1  | PN: 965576<br>1418918<br>1418919<br>965577<br>965783<br>185793<br>1534789                  | PN: 185792<br>965784<br>1418916<br>1418917<br>965785<br>965786<br>1534791                  | PN: 0-1670057-1  | PN: 0-1670364-1  | PN: 0-1563110-1  | PN: 0-1563111-1  | PN: 0-1670865-1  | PN: 0-1670866-1 |
| CORRUGATED TUBE<br>Wellrohr                  | NW 8.5   | NW 8.5   | SEVERAL APPLICATIONS<br>Diverse Anwendungen  | SEVERAL APPLICATIONS<br>Diverse Anwendungen  | NW 13  | NW 13  | NW 13  | NW 13  | NW 17  | NW 17           |
| CABLE EXIT DIRECTION<br>Richtung Kabelabgang | 90°  | 180°   | 90°  | 180°   | 90°  | 180°   | 90°  | 180°   | 90°  | 180°            |

| GROUP<br>Gruppe   | A  | B  | C  | D  | E  |
|---|--|--|--|--|--|
| FIXING SLIDE<br>FOR TAB HOUSING<br><br>Schieber<br>fuer Flachsteckergehaeuse  |                 |                 |               |               |                     |
| TE PART NUMBER (BASIC)<br>TE Bestellnummer (Basis)  | PN: 1703838  | PN: 1703810  | PN: 1670720<br>CUSTOMER RESTRICTED: PN 2208002 FOR 4mm SHEETMETAL                                | PN: 1564562<br>CUSTOMER RESTRICTED: PN 2317070 FOR 1.2mm SHEET METAL                             | PN: 1564411<br>CUSTOMER RESTRICTED: PN 2316939 FOR 1.2mm SHEET METAL<br>PN 2208003 FOR 4mm SHEET METAL |
| SHEETMETAL THICKNESS<br>Blechstaerke<br>1.0 ± 0.1mm<br>1.5 ± 0.1mm<br>2.0 ± 0.1mm<br>2.5 ± 0.1mm<br>3.0 ± 0.1mm<br>3.5 ± 0.1mm<br>4.0 ± 0.1mm | AVAILABLE VERSIONS<br>SEE CUSTOMER DRAWING<br><br>Verfuegbare Versionen<br>siehe Kundenzeichnung | AVAILABLE VERSIONS<br>SEE CUSTOMER DRAWING<br><br>Verfuegbare Versionen<br>siehe Kundenzeichnung | AVAILABLE VERSIONS<br>SEE CUSTOMER DRAWING<br><br>Verfuegbare Versionen<br>siehe Kundenzeichnung | AVAILABLE VERSIONS<br>SEE CUSTOMER DRAWING<br><br>Verfuegbare Versionen<br>siehe Kundenzeichnung | AVAILABLE VERSIONS<br>SEE CUSTOMER DRAWING<br><br>Verfuegbare Versionen<br>siehe Kundenzeichnung       |

| GROUP<br>Gruppe   | A   | B   | C   | D  | E   |
|---|---|---|---|--|---|
| PROTECTION CAP<br>FOR RECEPTACLE HOUSING<br><br>Schutzkappe fuer<br>Buchsengehaeuse |                              |                              |                            |                           |                            |
| TE PART NUMBER<br>TE Bestellnummer  | PN: 0-2112299-1   | PN: 0-2112300-1   | PN: 0-2112301-1   | PN: 0-2112302-1  | PN: 0-2112303-1   |
| COUNTERPART<br>Gegenstueck  | SUITABLE FOR ALL RECEPTACLE HOUSINGS<br>OF GROUP "A"<br><br>Passend zu allen Buchsengehaeusen<br>der Gruppe "A" | SUITABLE FOR ALL RECEPTACLE HOUSINGS<br>OF GROUP "B"<br><br>Passend zu allen Buchsengehaeusen<br>der Gruppe "B" | SUITABLE FOR ALL RECEPTACLE HOUSINGS<br>OF GROUP "C"<br><br>Passend zu allen Buchsengehaeusen<br>der Gruppe "C" | SUITABLE FOR ALL RECEPTACLE HOUSINGS<br>OF GROUP "D"<br><br>Passend zu allen Buchsengehaeuse<br>der Gruppe "D" | SUITABLE FOR ALL RECEPTACLE HOUSINGS<br>OF GROUP "E"<br><br>Passend zu allen Buchsengehaeusen<br>der Gruppe "E" |

| GROUP<br>Gruppe   | A  | B  | C  | D  | E  |
|---|--|--|--|--|--|
| PROTECTION CAP<br>FOR TAB HOUSING<br><br>Schutzkappe fuer<br>Flachsteckergehaeuse |   |   |   |   |   |
| TE PART NUMBER<br>TE Bestellnummer  | PN: 0-2112289-1  | PN: 0-2112291-1  | PN: 0-2112293-1  | PN: 0-2112295-1  | PN: 0-2112297-1  |
| COUNTERPART<br>Gegenstueck  | SUITABLE FOR INTERFACE 114-18743-1 AND<br>ALL TAB HOUSINGS OF GROUP "A"<br><br>Passend zur Schnittstelle 114-18743-1 und<br>allen Flachsteckergehaeusen der Gruppe "A" | SUITABLE FOR INTERFACE 114-18739-1 AND<br>ALL TAB HOUSINGS OF GROUP "B"<br><br>Passend zur Schnittstelle 114-18739-1 und<br>allen Flachsteckergehaeusen der Gruppe "B" | SUITABLE FOR INTERFACE 114-18740-1 AND<br>ALL TAB HOUSINGS OF GROUP "C"<br><br>Passend zur Schnittstelle 114-18740-1 und<br>allen Flachsteckergehaeusen der Gruppe "C" | SUITABLE FOR INTERFACE 114-18807-1 AND<br>ALL TAB HOUSINGS OF GROUP "D"<br><br>Passend zur Schnittstelle 114-18807-1 und<br>allen Flachsteckergehaeusen der Gruppe "D" | SUITABLE FOR INTERFACE 114-18799-1 AND<br>ALL TAB HOUSINGS OF GROUP "E"<br><br>Passend zur Schnittstelle 114-18799-1 und<br>allen Flachsteckergehaeusen der Gruppe "E" |

THIS DRAWING IS NOT SUBJECT TO CONSTANT CHANGING SERVICE AND DOES NOT LAY CLAIM TO BE COMPLETE. FOR DEFINITE SPECIFICATION SEE RESPECTIVE TE CUSTOMER DRAWINGS. FURTHER VERSIONS ON INQUIRY.

Diese Zeichnung unterliegt nicht dem staeandigen Aenderungsdienst und erhebt keinen Anspruch auf Vollstaendigkeit. Verbindliche Angaben sind der jeweiligen TE-Kundenzeichnung zu entnehmen. Weitere Ausfuehrungen auf Anfrage.

THIS DRAWING IS A CONTROLLED DOCUMENT.  
REVISIONS: 01 DEC 2007  
APPROVED BY: J. Bischoff  
DATE: 07 DEC 2007  
DRAWN BY: J. Granzow  
DATE: 08 DEC 2007  
CHECKED BY: J. Edschwan  
DATE: 08 DEC 2007  
PRODUCT SPEC: HDSCS  
PROJECT: 105-94020  
APPLICATION SPEC: 114-18743-1  
MATERIAL: -  
FINISHING/PROCESSING: -  
CUSTOMER DRAWING

STE  
TE Connectivity  
PRODUCT GROUP DRAWING: HDSCS  
Produktgruppenzeichnung: HDSCS  
(Heavy Duty Sealed Connector Series)

SIZE: A0  
CASE CODE: 00779  
DRAWING NO.: C=1563709  
SCALE: 5:1  
SHEET: 3  
OF: 3  
REV: C8

# Mouser Electronics

Authorized Distributor

Click to View Pricing, Inventory, Delivery & Lifecycle Information:

[TE Connectivity:](#)

[1-1703639-1](#)