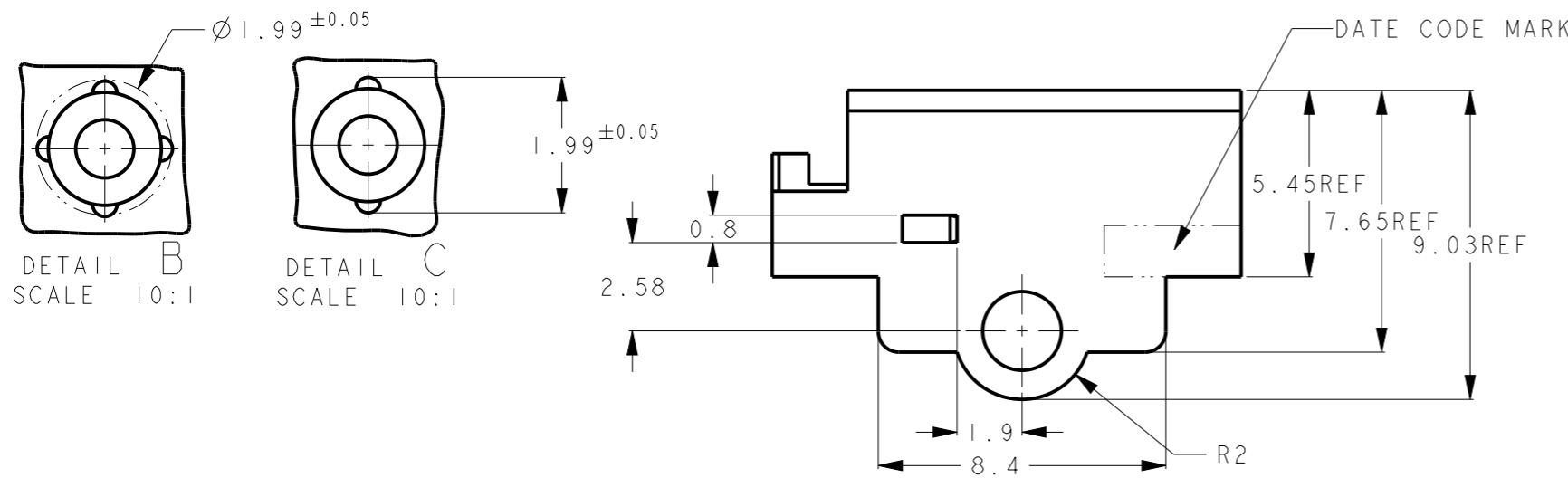


THIS DRAWING IS UNPUBLISHED. RELEASED FOR PUBLICATION 20
 © COPYRIGHT 20 BY - ALL RIGHTS RESERVED.

LOC	DIST	REVISIONS			
P	LTR	DESCRIPTION	DATE	DWN	APVD
J	-	A	RELEASED	25NOV2011	T.N N.Y
		B	REVISED	20DEC2011	T.N N.Y
		C	LAYOUT FOR PCB PANEL ARRAYS VIEW UPDATED	09APR2013	T.N N.Y
		D	REVISED(ECR-14-000923)	22JAN2014	T.N N.Y



2174306-1:AS SHOWN
本図

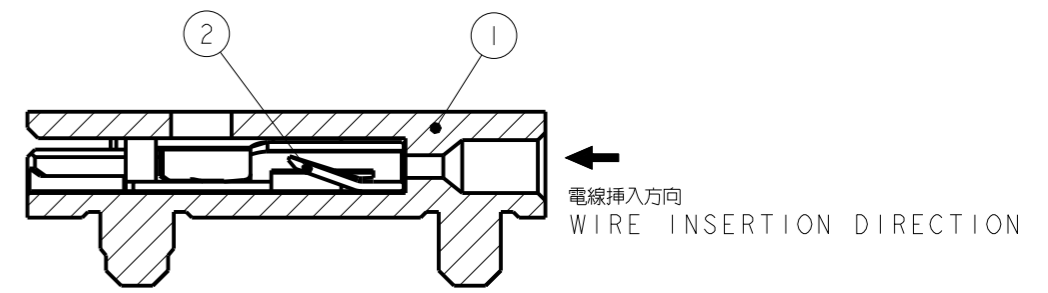
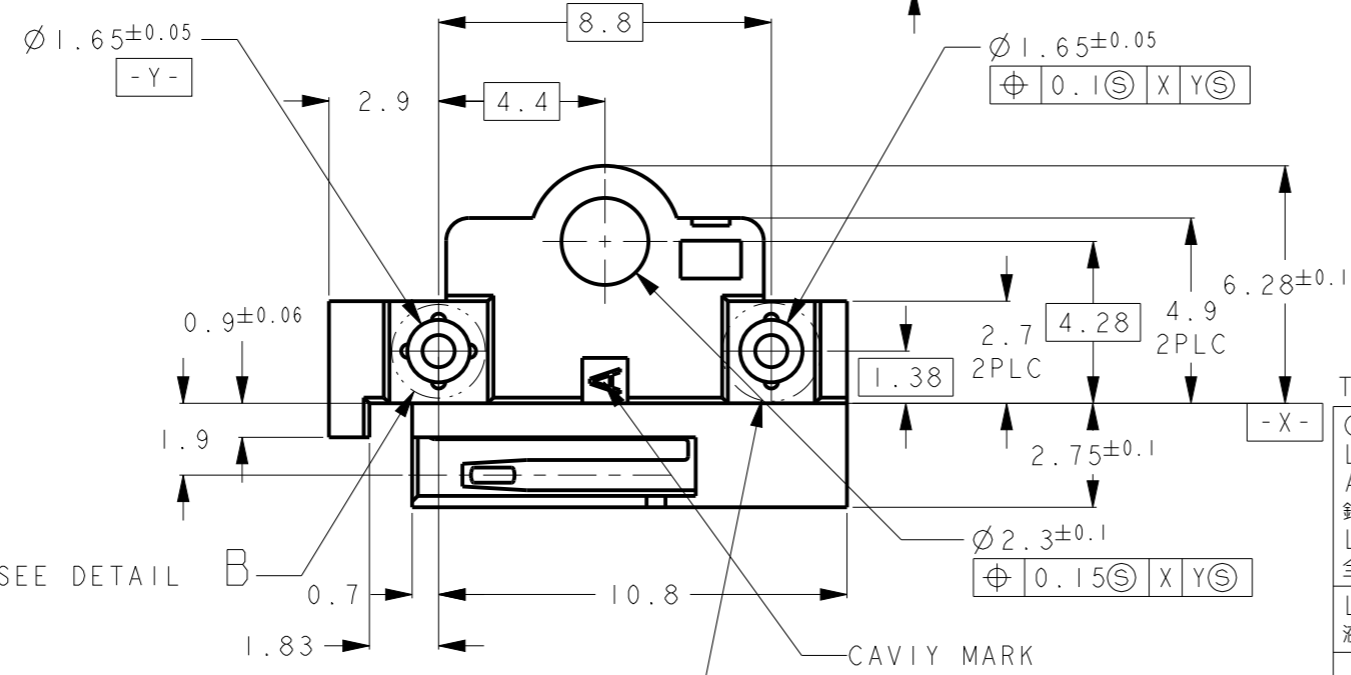
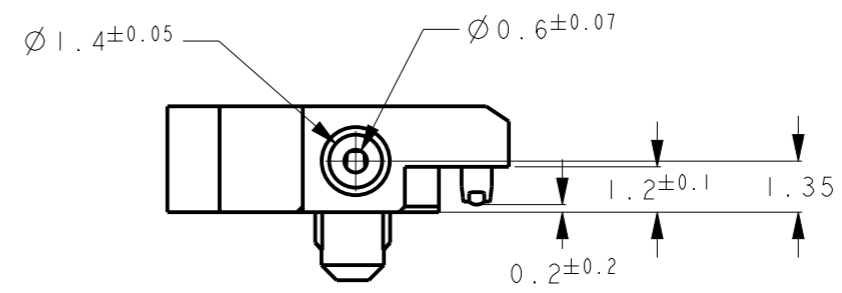
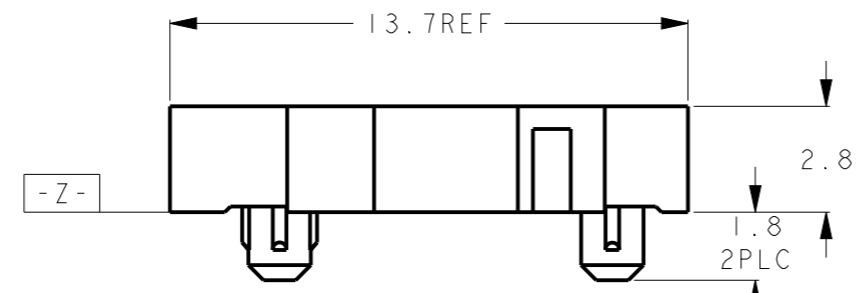
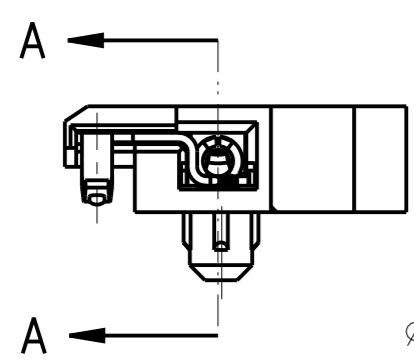
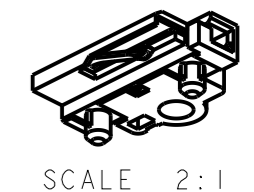


TABLE I		MATERIAL & FINISH	NAME	ITEM
COPPER ALLOY LED MODULE CONTACT AREA : GOLD PLATED ALL OVER UNDER NICKEL PLATED 銅合金 LED モジュール接触部 : 金めっき 全面下地ニッケルめっき		CONTACT コンタクト		②
LCP 液晶ポリマー		HOUSING ハウジング		①

- 適用電線 : AWG24 単線 (錫めっき品)
被覆外径 : $\phi 1.35\text{mmMAX}$
- 適用ネジ : M2
- ねじ締めトルク値 : $9\text{cN}\cdot\text{m MAX}$
- 外観基準 : タイコエレクトロニクスジャパン合同会社社内基準に準拠する。
- 本コネクタはシャープ製ミニ銭形シリーズに使用可能である。

- APPLICABLE WIRES : AWG24 SOLID (TIN COATING)
INSULATION DIAMETER : $\phi 1.35\text{mmMAX}$
- APPLICABLE SCREW : M2
- SCREW TIGHTENING TORQUE : $9\text{cN}\cdot\text{m MAX}$
- VISUAL STANDARD : TO CONFORM TYCO ELECTRONICS JAPAN G.K.
INTERNAL RULE.
- THIS CONNECTOR CAN BE USED FOR MINI ZENIGATA SERIES OF SHARP.

THIS DRAWING IS A CONTROLLED DOCUMENT.	
DIMENSIONS: mm	TOLERANCES UNLESS OTHERWISE SPECIFIED: ± 0.15
	0 PLC \pm
	1 PLC \pm
	2 PLC \pm
	3 PLC \pm
	4 PLC \pm
	ANGLES $\pm 1^\circ$
MATERIAL TABLE I	FINISH TABLE I

DWN	25NOV2011
T. NAGASAKI	
CHK	25NOV2011
M. HARASAWA	
APVD	25NOV2011
N. YAMASAKI	
PRODUCT SPEC	108-78860
APPLICATION SPEC	114-5490
WEIGHT	0.357g

STE TE Connectivity

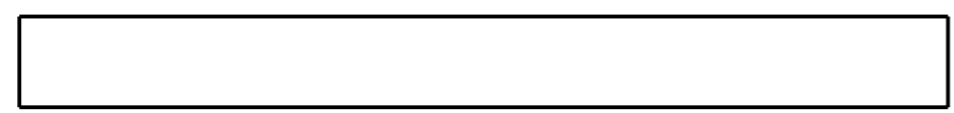
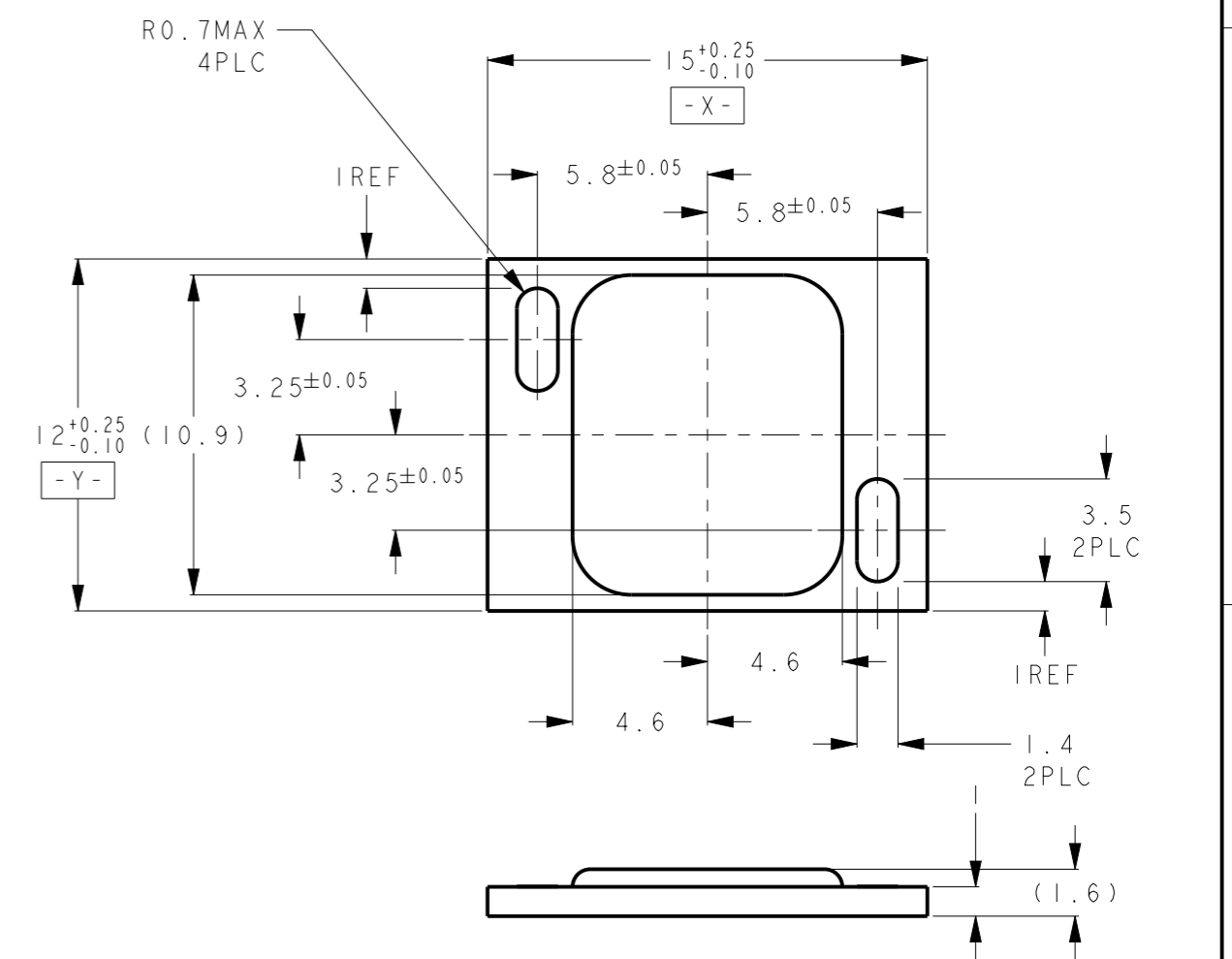
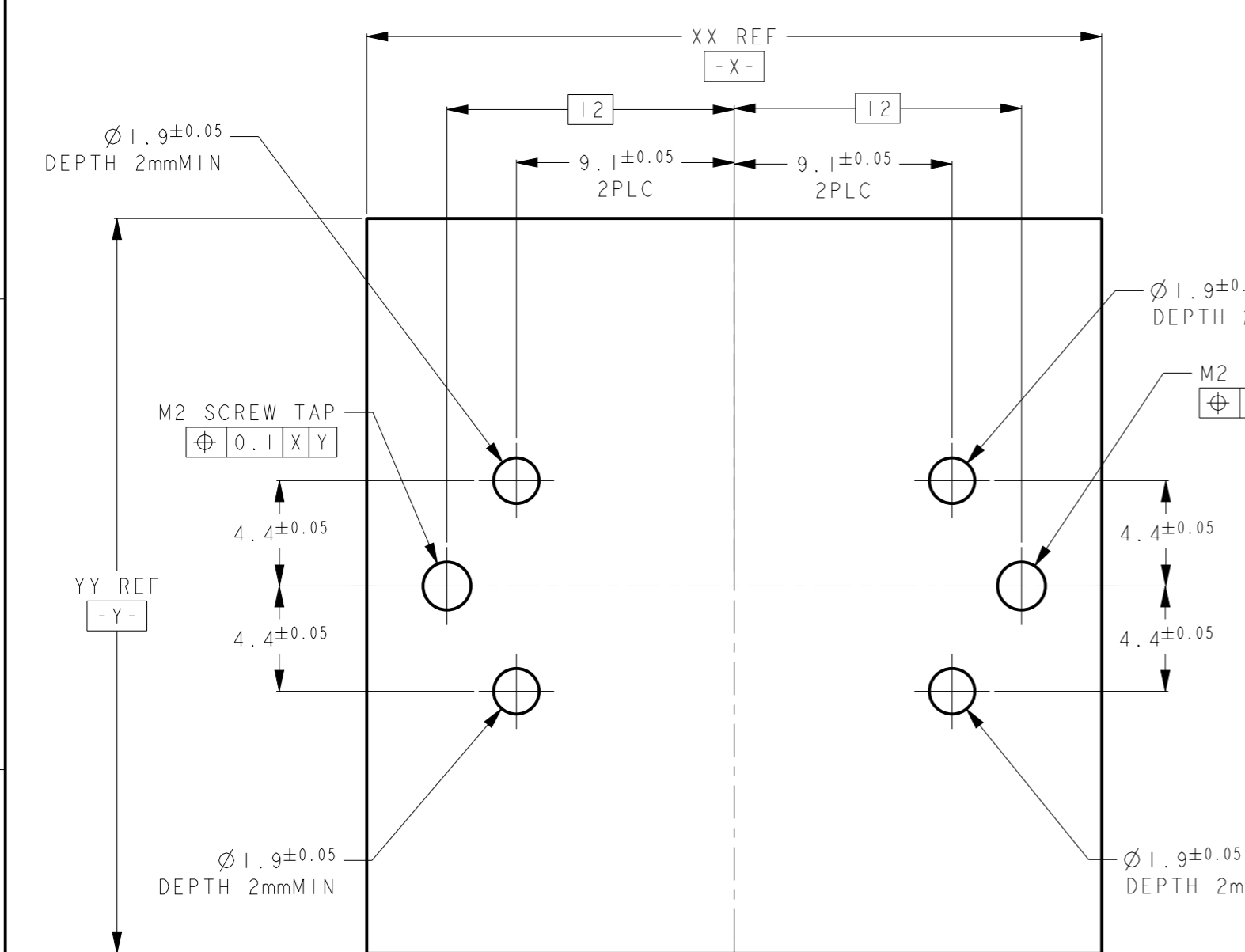
NAME
LUMAWISE LED HOLDER,
TYPE SMIZ

SIZE	CAGE CODE	DRAWING NO	RESTRICTED TO
A3	00779	C=2174306	-

Customer Drawing SCALE 2:1 SHEET 1 OF 3 REV D

THIS DRAWING IS UNPUBLISHED. RELEASED FOR PUBLICATION 20
 © COPYRIGHT 20 BY - ALL RIGHTS RESERVED.

LOC	DIST	REVISIONS			
P	LTR	DESCRIPTION	DATE	DWN	APVD
J	-	SEE SHEET 1	-	-	-



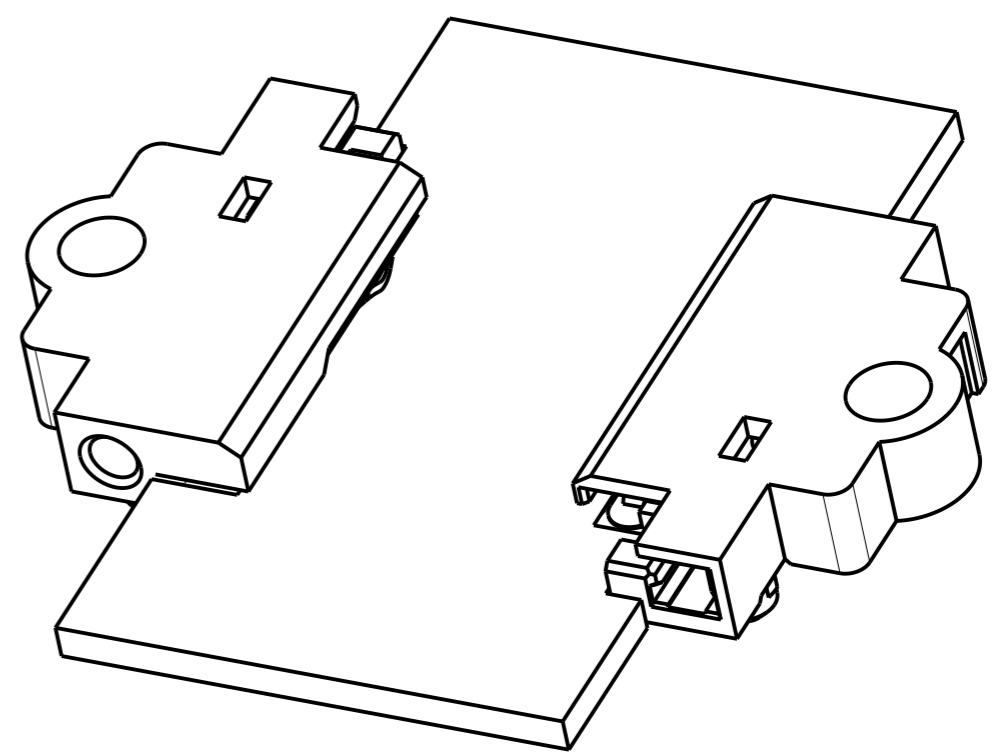
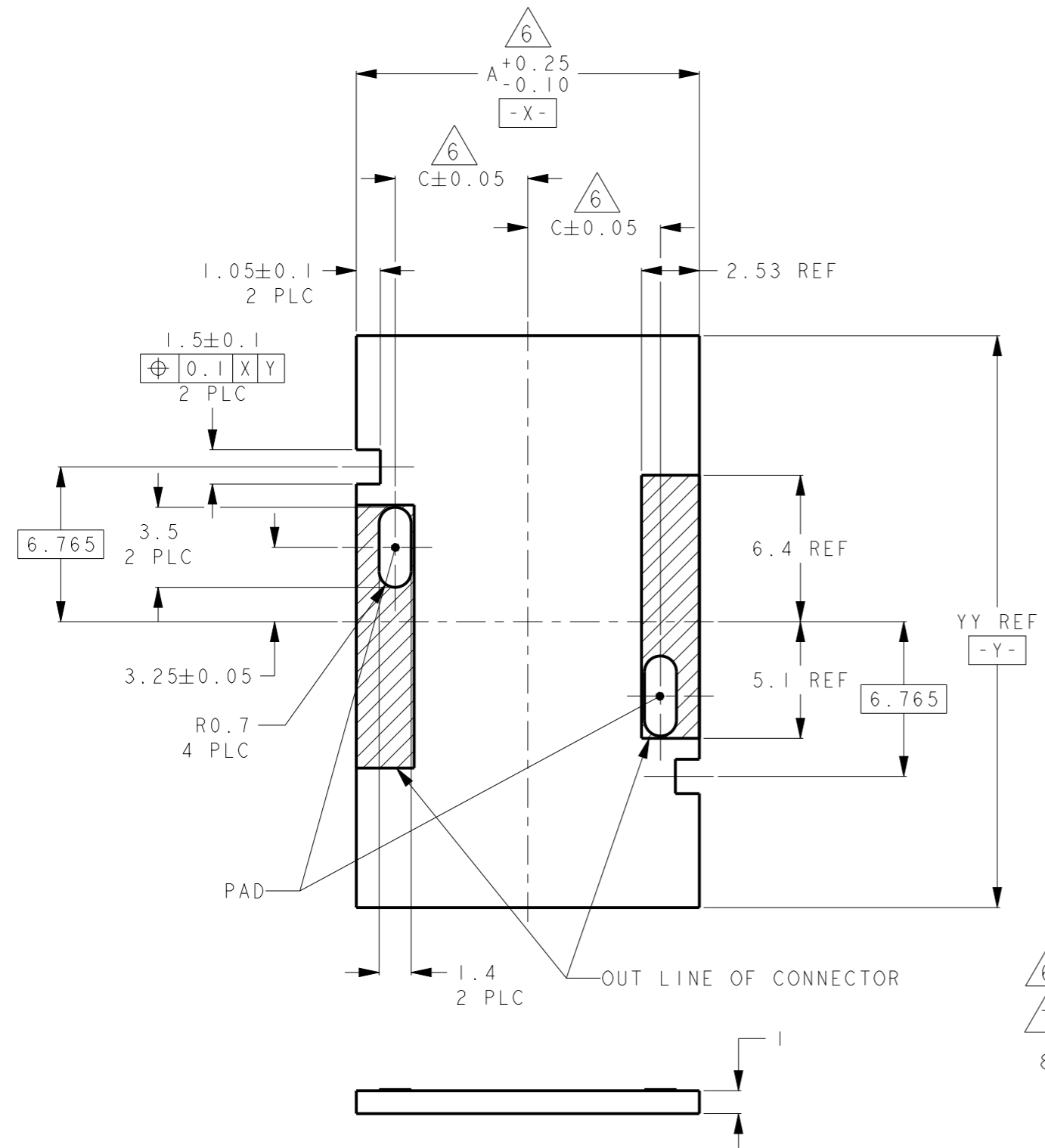
HEAT SINK 参考寸法(ミニ銭形)
 HEAT SINK REFERENCE DIMENSION FOR MINI ZENIGATA

LED PACKAGE 参考寸法(ミニ銭形)
 LED PACKAGE REFERENCE DIMENSION FOR MINI ZENIGATA

THIS DRAWING IS A CONTROLLED DOCUMENT.		DWN	TE Connectivity	
DIMENSIONS: mm		CHK		
TOLERANCES UNLESS OTHERWISE SPECIFIED: ±0.1		APVD	NAME	
0 PLC ± 1 PLC ± 2 PLC ± 3 PLC ± 4 PLC ± ANGLES ±1°		PRODUCT SPEC	LUMAWISE LED HOLDER, TYPE SMIZ	
MATERIAL		APPLICATION SPEC	SIZE	RESTRICTED TO
FINISH		WEIGHT	A300779	-
		Customer Drawing	CAGE CODE	DRAWING NO
			G=2174306	
		SCALE	SHEET	REV
		2:1	2 OF 3	D

THIS DRAWING IS UNPUBLISHED. RELEASED FOR PUBLICATION 20
 © COPYRIGHT 20 BY - ALL RIGHTS RESERVED.

LOC	DIST	REVISIONS			
P	LTR	DESCRIPTION	DATE	DWN	APVD
J	-	SEE SHEET 1	-	-	-



- 6 SEE TABLE 2
- 7 THIS DIMENSION CAN BE DECIDED BY CUSTOMER
- 8 ALTHOUGH THE PAD LOCATIONS ARE SHOWN DIRECTLY OPPOSITE EACH OTHER, THE CONTACT PADS CAN BE OFFSET ALONG THE BOARD EDGE AS DICTATED BY DESIGN NEEDS.

REFERENCE LAYOUT FOR PCB PANEL ARRAYS

6 TABLE 2		7	DIMENSION
(A-3.4)/2	(A+3.2)/2	A	NO.
C	B		

THIS DRAWING IS A CONTROLLED DOCUMENT.		DWN	STE TE Connectivity	
DIMENSIONS: mm		CHK		
TOLERANCES UNLESS OTHERWISE SPECIFIED: ±0.1		APVD	NAME	
0 PLC ±		PRODUCT SPEC	LUMAWISE LED HOLDER, TYPE SMIZ	
1 PLC ±		APPLICATION SPEC	SIZE	RESTRICTED TO
2 PLC ±		WEIGHT	A300779	-
3 PLC ±		Customer Drawing	CAGE CODE	DRAWING NO
4 PLC ±		SCALE	G-2174306	REV
ANGLES ±1°		4:1	3	D
FINISH		SHEET	OF	
		3	3	

Mouser Electronics

Authorized Distributor

Click to View Pricing, Inventory, Delivery & Lifecycle Information:

[TE Connectivity:](#)

[2174306-1](#)