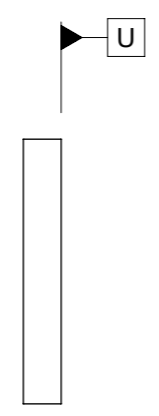
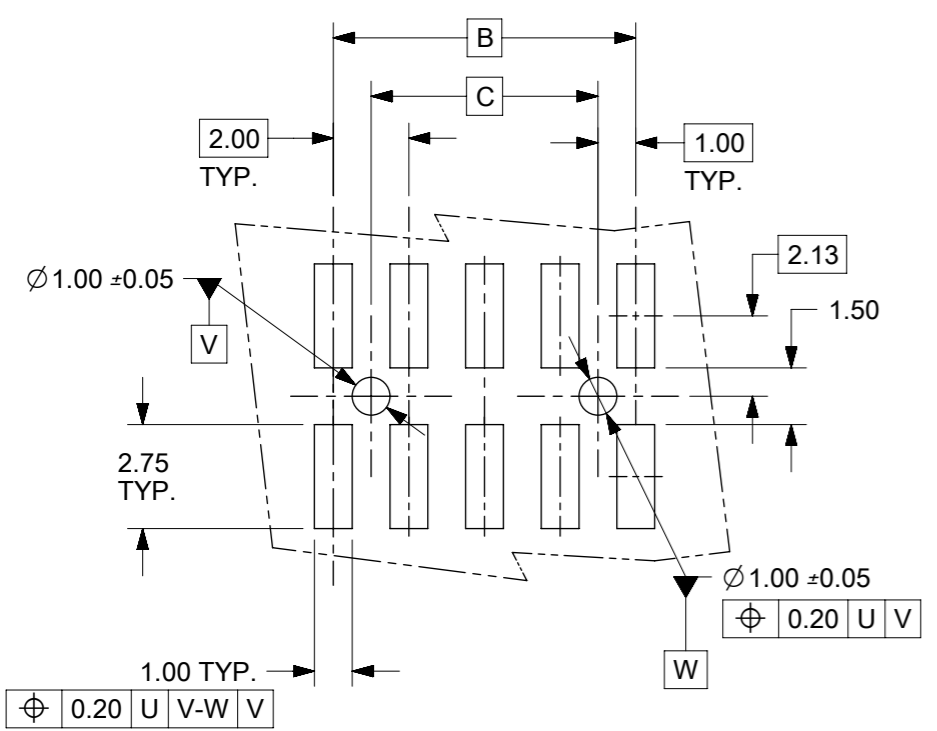
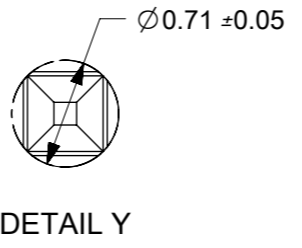
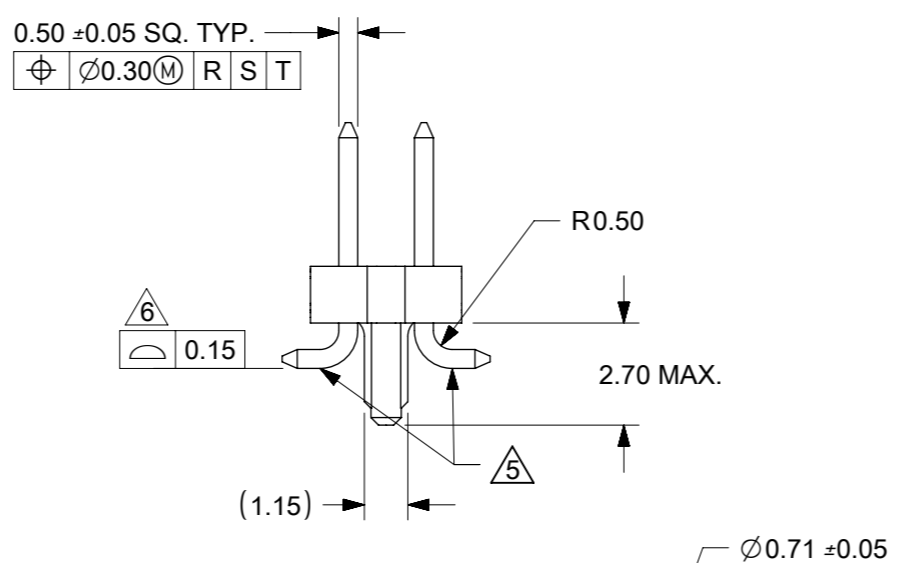
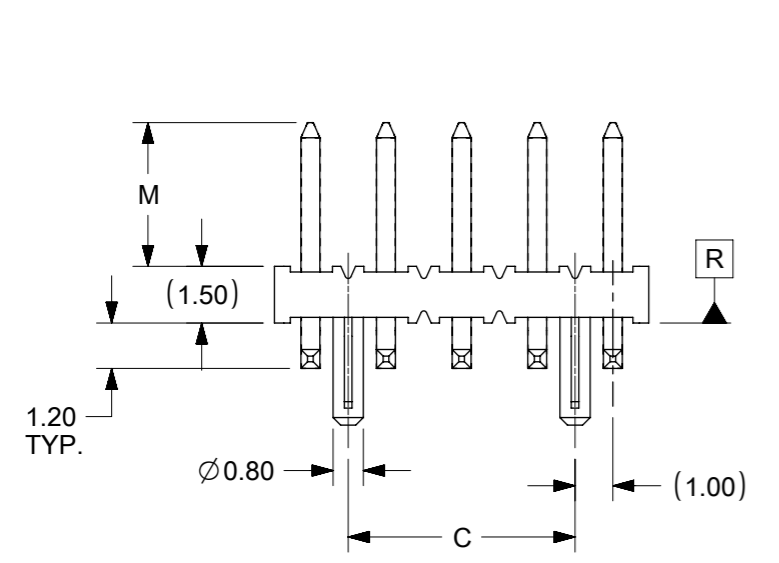


- NOTE:**
- MATERIAL:**
HSG - HIGH TEMPERATURE THERMOPLASTIC, UL 94V-0, COLOUR BLACK
PIN - 0.50 SQ. PHOSPHOR BRONZE
 - PLATING:**
 **50 / **52 - 0.38µm MIN. GOLD PLATE AT CONTACT AREA, TIN PLATE AT SOLDER AREA, BOTH OVER NICKEL UNDERPLATE
 **51 - 0.76µm MIN. GOLD PLATE AT CONTACT AREA, TIN PLATE AT SOLDER AREA, BOTH OVER NICKEL UNDERPLATE
 **77 - 0.05-0.25µm GOLD PLATE AT CONTACT AREA, TIN PLATE AT SOLDER AREA, BOTH OVER NICKEL UNDERPLATE
 (** - REPRESENTS DIFFERENT CKT SIZE , SEE TABLE AT SHT 2)
 - PIN PUSHOUT FORCE: 1kg MIN. IN EITHER DIRECTION.
 - PRODUCT SPEC PS-87761-100 APPLIES.
 - BEND DEPRESSION IS ACCEPTABLE SO LONG AS IT DOES NOT AFFECT THE OVERALL COPLANARITY OF TAIL.
 - COPLANARITY IS TO BE MEASURED BY RESTING THE SOLDER TAIL ON A FLAT SURFACE.
 - FOR ILLUSTRATION PURPOSES, 10CKT IS SHOWN
 - TUBE LENGTH IS 560mm REF. STANDARD.
 - RECOMMENDED PCB BOARD THK IS 1.60±0.10mm.



| | | | | | | | | | |
|---|--|------------------------|------|---|--------|-----------------|----------------|--------------|--|
| THIS DRAWING CONTAINS INFORMATION THAT IS PROPRIETARY TO MOLEX ELECTRONIC TECHNOLOGIES, LLC AND SHOULD NOT BE USED WITHOUT WRITTEN PERMISSION | | | | | | | | | |
| DIMENSION UNITS | | SCALE | | CURRENT REV DESC: REMASTERED IN NX | | | | | |
| mm | | NTS | | | | | | | |
| GENERAL TOLERANCES (UNLESS SPECIFIED) | | | | | | | | | |
| | | MM | INCH | EC NO: 172192 DRWN: NVELUSAMY 2017/12/28 CHK'D: CD 2018/07/18 APPR: GGA 2018/07/19 | | | | | |
| 4 PLACES | | ± | ± | CUSTOMER MGRID, 2MM DUAL ROW HDR WITH PEG, SMT | | | | | |
| 3 PLACES | | ± | ± | PRODUCT CUSTOMER DRAWING | | | | | |
| 2 PLACES | | ± | 0.2 | INITIAL REVISION: | | | | | |
| 1 PLACE | | ± | ± | DRWN: KSEE 2003/12/24 | | | | | |
| 0 PLACES | | ± | ± | APPR: SKTOH 2004/01/12 | | | | | |
| ANGULAR TOL | | ± 3.0° | | DOCUMENT NUMBER | | DOC TYPE | DOC PART | REVISION | |
| | | | | SD-87759-113 | | PSD | 001 | B4 | |
| DRAFT WHERE APPLICABLE MUST REMAIN WITHIN DIMENSIONS | | THIRD ANGLE PROJECTION | | DRAWING | SERIES | MATERIAL NUMBER | CUSTOMER | SHEET NUMBER | |
| | | | | A3-SIZE | 87759 | SEE TABLE | GENERAL MARKET | 1 OF 2 | |

| PART NUMBER WITHOUT CAP IN TUBE | CKT SIZE | A | B | C | M |
|---------------------------------|----------|-------|-------|-------|------|
| 87759-0850/0851 | 08 | 7.90 | 6.00 | 4.00 | 3.80 |
| 87759-0852 | 08 | 7.90 | 6.00 | 4.00 | 9.60 |
| 87759-1050/1051 | 10 | 9.90 | 8.00 | 6.00 | 3.80 |
| 87759-1250/1251 | 12 | 11.90 | 10.00 | 8.00 | 3.80 |
| 87759-1450/1451 | 14 | 13.90 | 12.00 | 10.00 | 3.80 |
| 87759-1650/1651 | 16 | 15.90 | 14.00 | 12.00 | 3.80 |
| 87759-1850/1851 | 18 | 17.90 | 16.00 | 14.00 | 3.80 |
| 87759-2050/2051 | 20 | 19.90 | 18.00 | 16.00 | 3.80 |
| 87759-2250/2251 | 22 | 21.90 | 20.00 | 18.00 | 3.80 |
| 87759-2450/2451 | 24 | 23.90 | 22.00 | 20.00 | 3.80 |
| 87759-2650/2651 | 26 | 25.90 | 24.00 | 22.00 | 3.80 |
| 87759-2850/2851 | 28 | 27.90 | 26.00 | 24.00 | 3.80 |
| 87759-3050/3051 | 30 | 29.90 | 28.00 | 26.00 | 3.80 |
| 87759-3250/3251 | 32 | 31.90 | 30.00 | 28.00 | 3.80 |
| 87759-3450/3451 | 34 | 33.90 | 32.00 | 30.00 | 3.80 |
| 87759-3650/3651 | 36 | 35.90 | 34.00 | 32.00 | 3.80 |
| 87759-3850/3851 | 38 | 37.90 | 36.00 | 34.00 | 3.80 |
| 87759-4050/4051 | 40 | 39.90 | 38.00 | 36.00 | 3.80 |
| 87759-4250/4251 | 42 | 41.90 | 40.00 | 38.00 | 3.80 |
| 87759-4450/4451 | 44 | 43.90 | 42.00 | 40.00 | 3.80 |
| 87759-4650/4651 | 46 | 45.90 | 44.00 | 42.00 | 3.80 |
| 87759-4850/4851 | 48 | 47.90 | 46.00 | 44.00 | 3.80 |
| 87759-5050/5051 | 50 | 49.90 | 48.00 | 46.00 | 3.80 |

| | | | | | | | | | | | |
|---|--|-------|--|------------------------------------|--|--|--|------------------------|--|--|--|
| THIS DRAWING CONTAINS INFORMATION THAT IS PROPRIETARY TO MOLEX ELECTRONIC TECHNOLOGIES, LLC AND SHOULD NOT BE USED WITHOUT WRITTEN PERMISSION | | | | | | | | | | | |
| DIMENSION UNITS | | SCALE | | CURRENT REV DESC: REMASTERED IN NX | | | | molex | | CUSTOM HEADER MGRID, 2MM DUAL ROW HDR WITH PEG, SMT | |
| mm | | NTS | | | | | | | | | |
| GENERAL TOLERANCES (UNLESS SPECIFIED) | | | | EC NO: 172192 | | DRWN: NVELUSAMY | | 2017/12/28 | | | |
| | | | | CHK'D: CD | | APPR: GGA | | 2018/07/18 | | | |
| | | | | INITIAL REVISION: | | DRWN: KSEE | | 2003/12/24 | | | |
| | | | | APP: SKTOH | | APPR: SKTOH | | 2004/01/12 | | | |
| | | | | ANGULAR TOL ± 3.0° | | DRAFT WHERE APPLICABLE MUST REMAIN WITHIN DIMENSIONS | | THIRD ANGLE PROJECTION | | DRAWING | |
| | | | | | | SERIES | | MATERIAL NUMBER | | CUSTOMER | |
| | | | | | | A3-SIZE | | 87759 | | SEE TABLE | |
| | | | | | | GENERAL MARKET | | SHEET NUMBER | | 2 OF 2 | |

| | | | | |
|-----------------|----|--------------|------------|----------|
| DOCUMENT STATUS | P1 | RELEASE DATE | 2018/07/19 | 05:01:13 |
|-----------------|----|--------------|------------|----------|