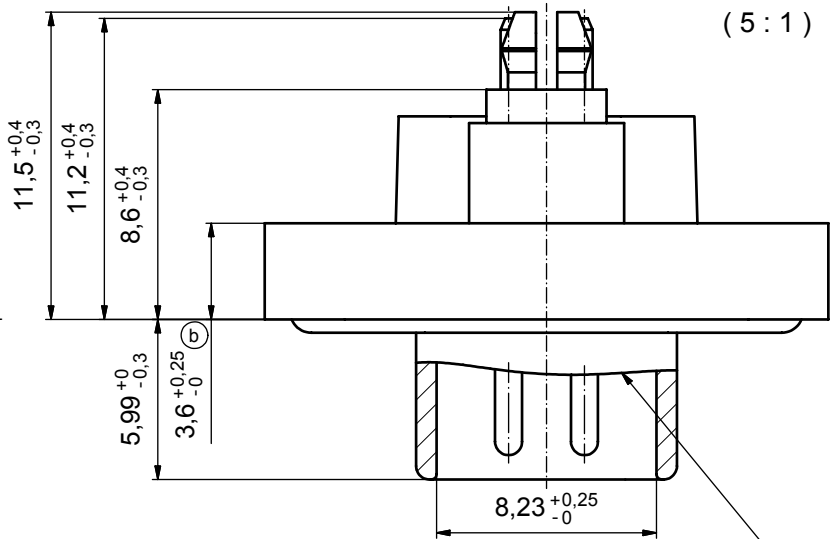
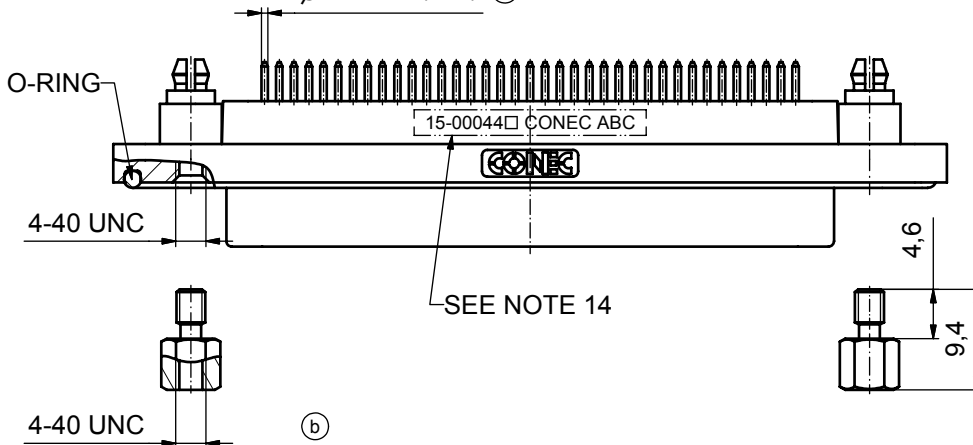
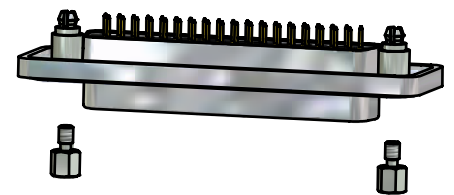
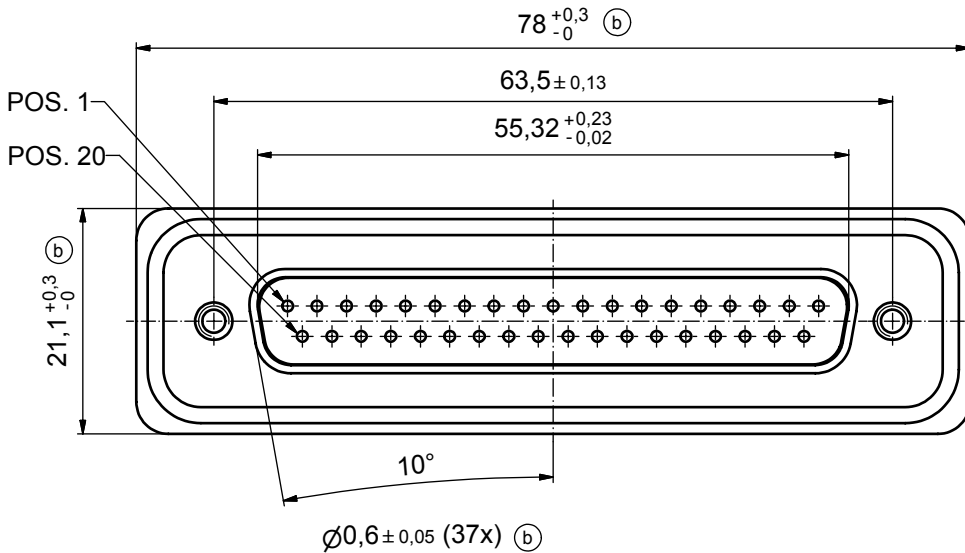


(b)
NOTES:

1. FOR WAVESOLDERING (SOLDER BATH TEMPERATURE 265°C FOR 8 SEC. AND SOLDER PREHEAT 150°C FOR 180 SEC.)
2. IP RATING: IP 67
3. SEALED TO WITHSTAND PRESSURE UP TO 1,45 PSI FOR 30 MINUTES AFTER HIGH TEMPERATURE EXPOSURE
4. METALSHELL: ZINC DIE CAST;
min. 50µin NICKEL PLATING over COPPER
5. INSULATORS: PBT GF UL 94 V-0, BLACK
6. O-RING: SILICONE PER ASTM D2000 70 SHORE A
7. RUBBER GASKET: TPE
8. SEALING COMPOUND: EPOXY RESIN UL 94 V-0; BLACK
9. CONTACTS: COPPER ALLOY
PLATING (SEE PART NO):
□ PLEASE ADD 1 for 30µin HARD GOLD over min. 50µin NICKEL
□ PLEASE ADD 3 for 8µin HARD GOLD over min. 50µin NICKEL
10. REAR SPACER CLIPS: COPPER ALLOY;
min. 200µin TIN over 80µin NICKEL
PCB-HOLE: $\varnothing 3,1 \pm 0,1$; PCB THICKNESS 1,6mm
11. HEXLOCKING SCREWS: STAINLESS STEEL
12. PCB-HOLE DRILLINGS and RECOMMENDED PANEL CUT-OUT ON SHEET 2
13. RECOMMENDED TORQUE FOR MOUNTING SCREW
35Ncm (3.1 in.LB) / max.67Ncm (6 in.LB)
14. CONNECTOR IS PART MARKED: 15-00044 □ CONEC ABC



RUBBER GASKET
PLACED ON TOP SURFACE
OF MALE INSULATOR



(b)
AT ALL TIMES WATER RESISTANT CONNECTORS NOT
IN USE SHOULD BE COVERED WITH A CONEC WATER
RESISTANT CAP OR WATER TIGHT HOOD.

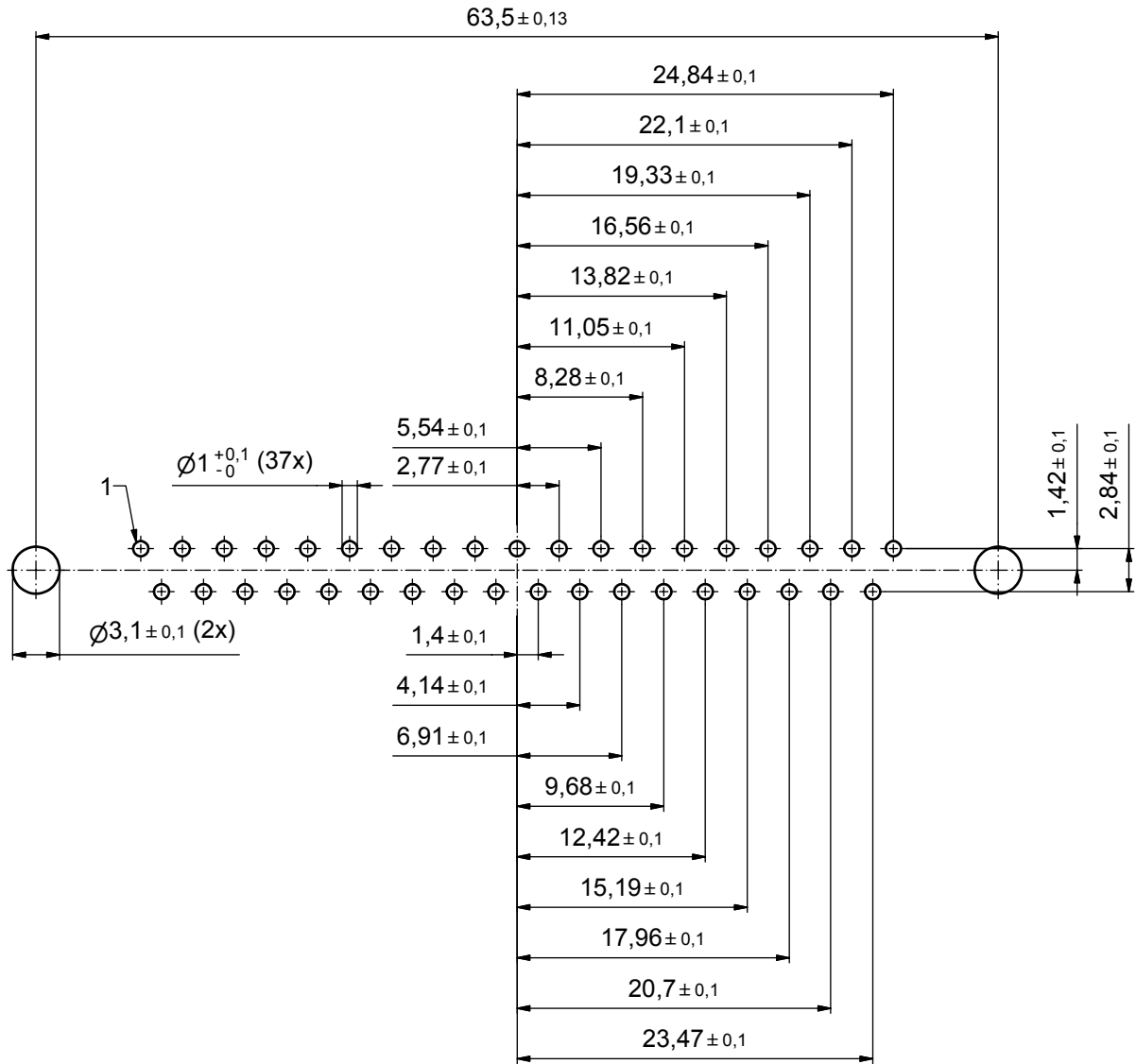


APPROVAL # FREIGABE # DEBLOCAGE # AUTORIZACION # APPROVAL	
CUSTOMER APPROVAL DATE:	
NAME:	TITLE:
COMPANY NAME:	
APPROVAL # FREIGABE # DEBLOCAGE # AUTORIZACION # APPROVAL	

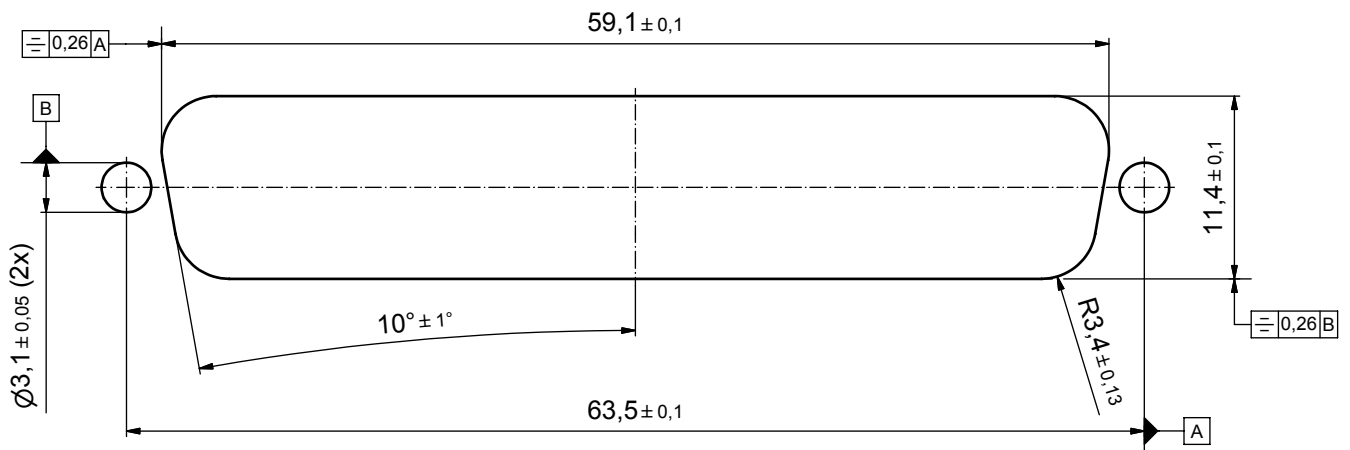
THIS DRAWING MAY NOT BE COPIED OR REPRODUCED IN ANY WAY, AND MAY NOT BE PASSED ON TO A THIRD PARTY WITHOUT WRITTEN PERMISSION. OWNERSHIP AND COPYRIGHT OF CONEC GmbH				tolerance		dim. in mm	
DO NOT ALTER CAD DRAWING BY HAND				date	name		
6 x b	A3435	21.09.09	HS	drawn	17.10.08	Petker	
a	Origin			appd.	21.10.08	Fischer	
rev.	description	date	name	norm			
				d-old			
CONEC				title:			
				D-SUB MALE 37pos. SOLDER PIN STRAIGHT with rear spacer clip and hexlocking screw			
				dwg no:		Inventor 10	DIN-A3
						15K1A308	sh: 1
				part no: 15-00044 □ (see note 9)			

scale:	2:1 (5:1)	
material:	see notes	
title:		
D-SUB MALE 37pos. SOLDER PIN STRAIGHT with rear spacer clip and hexlocking screw		
dwg no:	Inventor 10	DIN-A3
	15K1A308	sh: 1
part no: 15-00044 □ (see note 9)		

P.C.B. HOLE DRILLINGS



RECOMMENDED PANEL CUT-OUT



APPROVAL # FREIGABE # DEBLOCAGE # AUTORIZACION # APPROVAL	
CUSTOMER APPROVAL DATE:	
NAME:	TITLE:
COMPANY NAME:	
APPROVAL # FREIGABE # DEBLOCAGE # AUTORIZACION # APPROVAL	

THIS DRAWING MAY NOT BE COPIED OR REPRODUCED IN ANY WAY, AND MAY NOT BE PASSED ON TO A THIRD PARTY WITHOUT WRITTEN PERMISSION. OWNERSHIP AND COPYRIGHT OF CONEC GmbH				tolerance		dim. in mm	scale: 3:1	
DO NOT ALTER CAD DRAWING BY HAND				date			material: see sheet 1	
a	Origin			drawn	17.10.08	Petker	title: P.C.B. HOLE DRILLINGS	
rev.	description	date	name	appd.	21.10.08	Fischer	PANEL CUT-OUT	
				norm			D-SUB Male 37pos. Solder pin straight	
				d-old			dwg no:	Inventor 10
								A3
								sh: 2
							part no:	see sheet 1

