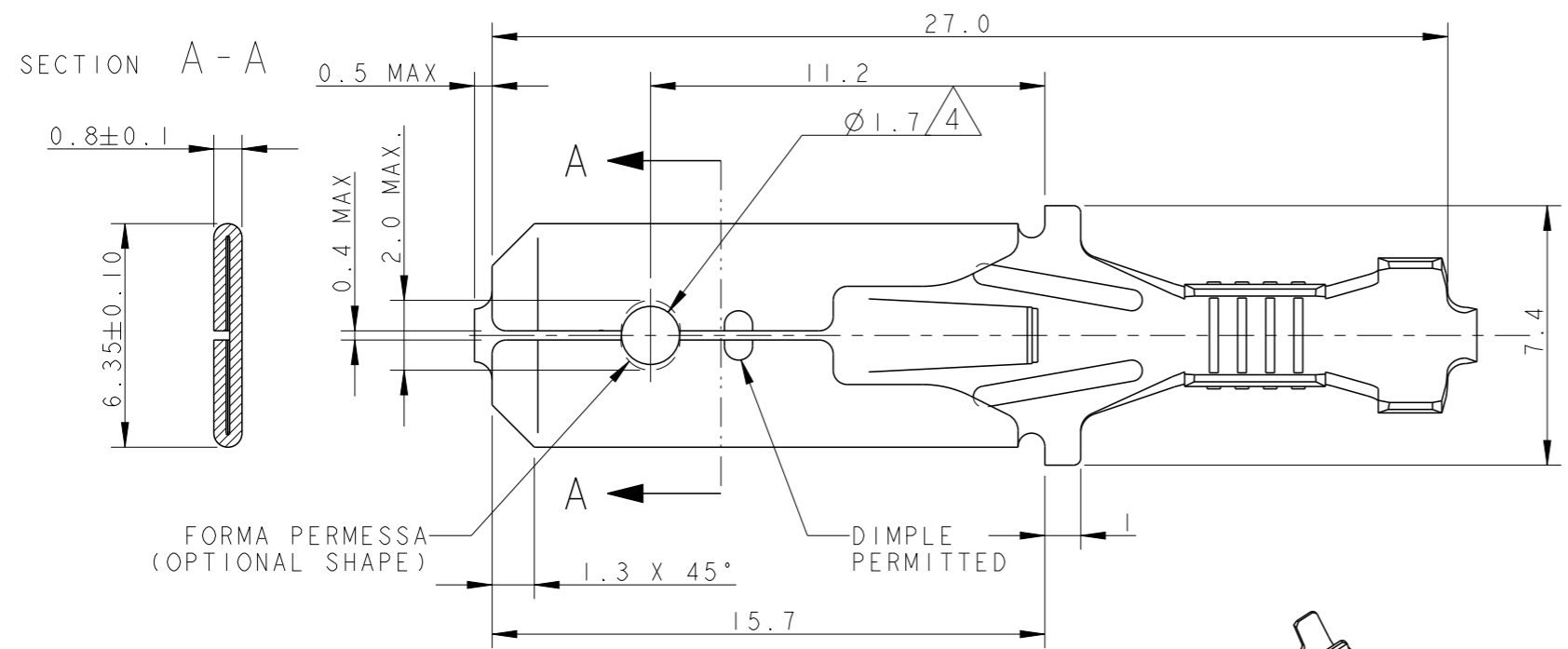
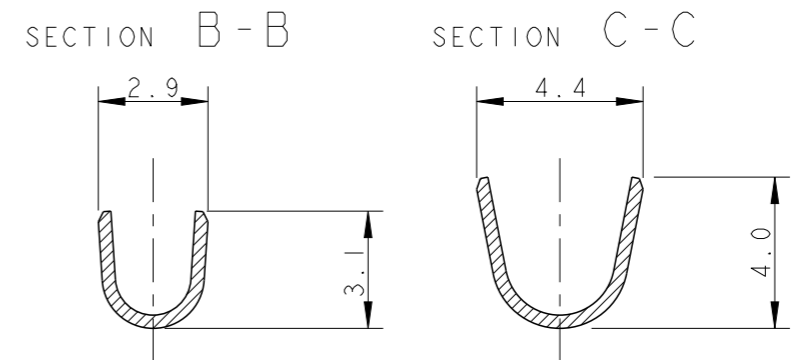
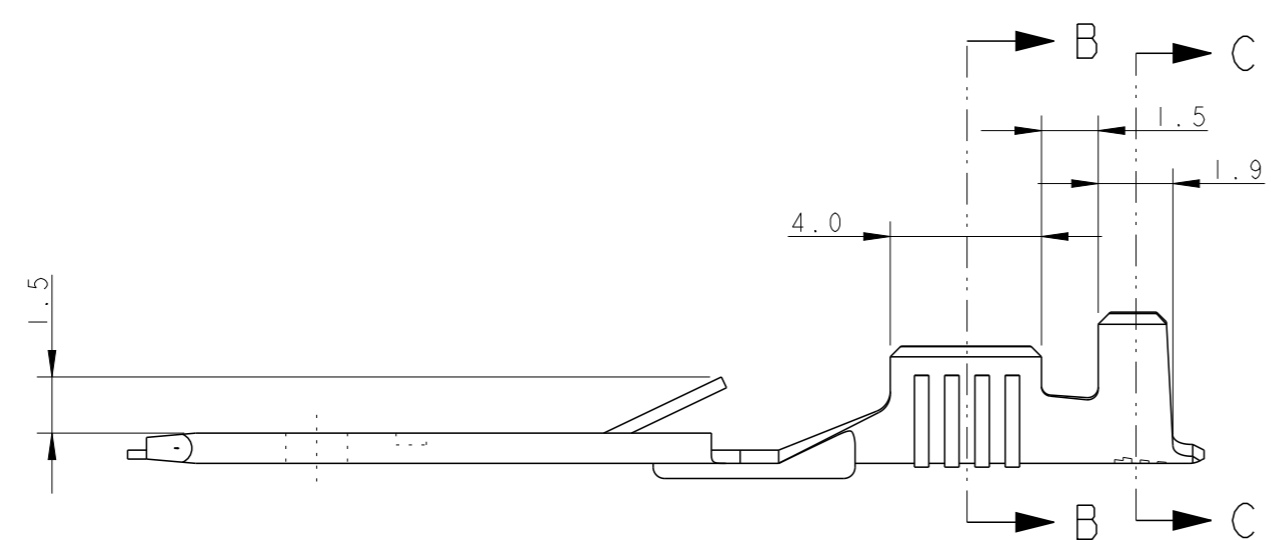
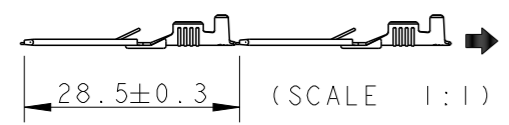


THIS DRAWING IS UNPUBLISHED. RELEASED FOR PUBLICATION 2004  
 © COPYRIGHT 2004 ALL RIGHTS RESERVED.

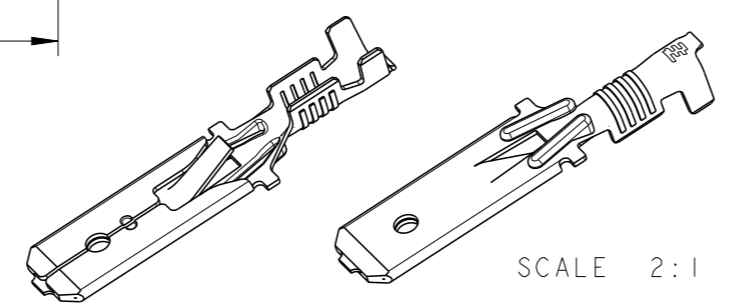
LOC	DIST	REVISIONS					
		P	LTR	DESCRIPTION	DATE	DWN	APVD
1	-	B3		REVISED PER ECO-11-005301	28MAR2011	RK	HMR
		B4		NEW PNs WITHOUT INTERLEAVE ADDED	20MAY2013	PKS	RRP
		C		PLATING INFO CORRECTED FOR 3- -2	17JUN2013	PKS	RRP



1) STATO DI FORNITURA (SUPPLY CONDITION, Scala 1:1)



SENSO DI USCITA DEL TERMINALE DALLA BOBINA (DIRECTION OFF TOP OF REEL)



- 2) BOBINATO SU BOBINA 12" CON CARTA INTERPOSTA (REELED ON 12" CARTON TYPE REEL WITH INTERLEAVE PAPER STRIP)
- 3) SPLICING STRIP PRODUCT BY SPOT WELDING PERMITTED

- 4 VERSIONI CON FORO (VERSION WITH HOLE)
- 5 REELED WITHOUT INTERLEAVE PAPER

	PRE-STAGNATO (PRE-TINNED)	OTTONE (BRASS)	3-293041-2
	NUDO (PLAIN)	OTTONE (BRASS)	3-293041-1
	PRE-STAGNATO (PRE-TINNED)	OTTONE (BRASS)	2-293041-2
	NUDO (PLAIN)	OTTONE (BRASS)	2-293041-1
	PRE-STAGNATO (PRE-TINNED)	OTTONE (BRASS)	1-293041-2
	NUDO (PLAIN)	OTTONE (BRASS)	1-293041-1
	PRE-STAGNATO (PRE-TINNED)	OTTONE (BRASS)	0-293041-2
	NUDO (PLAIN)	OTTONE (BRASS)	0-293041-1
NOTE (NOTES)	VERSIONI (VERSIONS)	FINITURA (FINISH)	MATERIALE (MATERIAL)
			NUMERO (TE P/N)

THIS DRAWING IS A CONTROLLED DOCUMENT.

DIMENSIONS:	TOLERANCES UNLESS OTHERWISE SPECIFIED:
mm	
	0 PLC ±-
	1 PLC ±0.3
	2 PLC ±-
	3 PLC ±-
	4 PLC ±-
	ANGLES ±2°
	FINISH SEE TABLE
MATERIAL	SEE TABLE

DIAM. ISOLANTE (INS. DIA. RANGE) Ø2.3 mm MAX  
 RANGO FILO (WIRE RANGE) 0.35-1.00 mm<sup>2</sup>

DWN	04 JUL 2005
H. Yaali	
CHK	-
G. Turco	
APVD	-
PRODUCT SPEC	108-20020
APPLICATION SPEC	114-20119
WEIGHT	-



FASTIN-FASTON Connector, 6.3 mm SR. TAB CONTACT

SIZE	CAGE CODE	DRAWING NO	RESTRICTED TO
A3	00779	C-293041	-
SCALE	SHEET	OF	REV
5:1	1	1	C

Customer Drawing

# Mouser Electronics

Authorized Distributor

Click to View Pricing, Inventory, Delivery & Lifecycle Information:

[TE Connectivity:](#)

[1-293041-2](#)