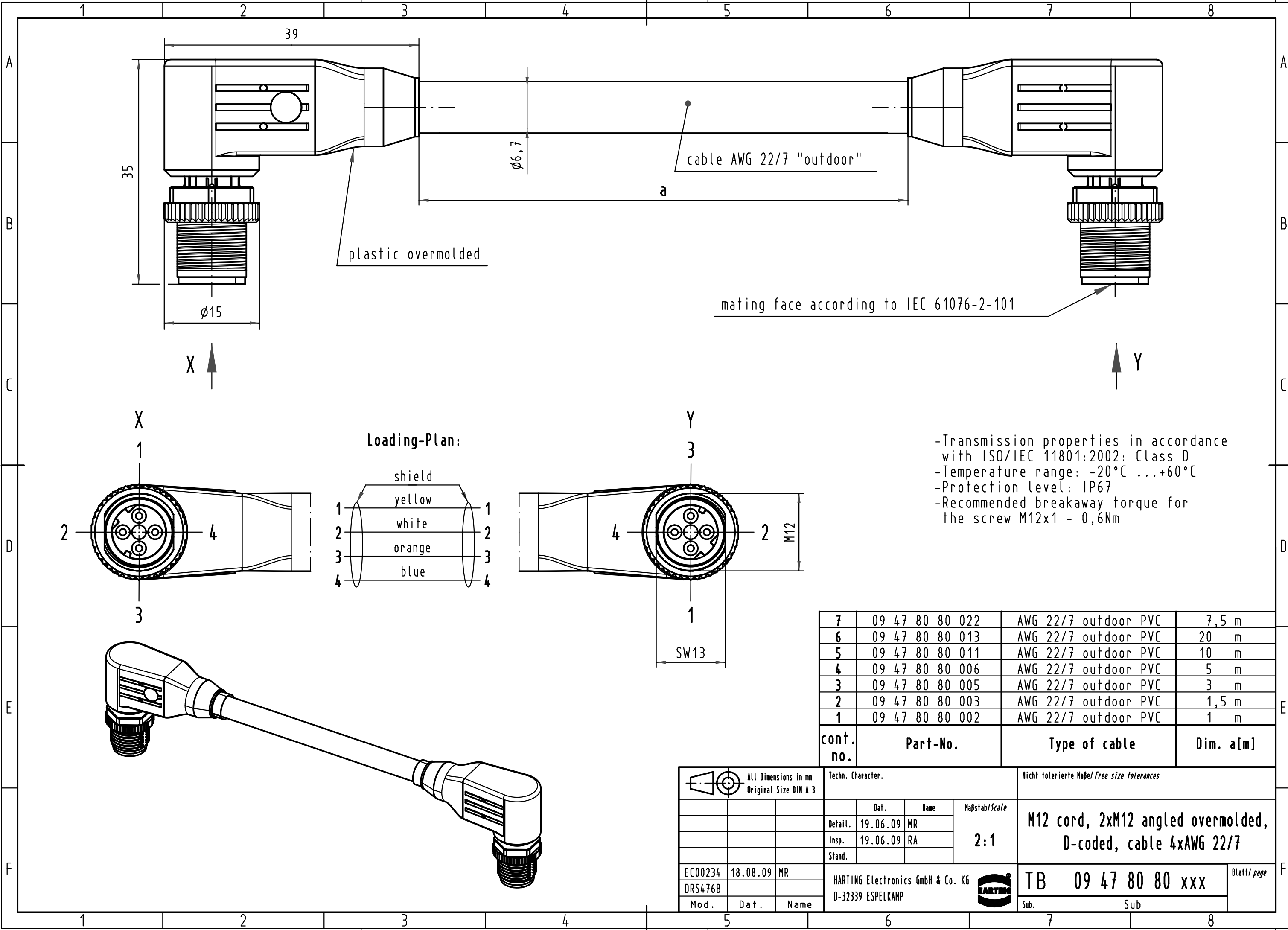


Alle Rechte vorbehalten/ All rights reserved



- Transmission properties in accordance with ISO/IEC 11801:2002: Class D
- Temperature range: -20°C ...+60°C
- Protection level: IP67
- Recommended breakaway torque for the screw M12x1 - 0,6Nm

7	09 47 80 80 022	AWG 22/7 outdoor PVC	7,5 m
6	09 47 80 80 013	AWG 22/7 outdoor PVC	20 m
5	09 47 80 80 011	AWG 22/7 outdoor PVC	10 m
4	09 47 80 80 006	AWG 22/7 outdoor PVC	5 m
3	09 47 80 80 005	AWG 22/7 outdoor PVC	3 m
2	09 47 80 80 003	AWG 22/7 outdoor PVC	1,5 m
1	09 47 80 80 002	AWG 22/7 outdoor PVC	1 m

cont. no.	Part-No.	Type of cable	Dim. a[m]
-----------	----------	---------------	-----------

All Dimensions in mm Original Size DIN A 3			Techn. Character.			Nicht tolerierte Maßel/Free size tolerances			
						M12 cord, 2xM12 angled overmolded, D-coded, cable 4xAWG 22/7			
			Detail.	19.06.09	MR				2:1
			Insp.	19.06.09	RA				
			Stand.						
EC00234	18.08.09	MR	HARTING Electronics GmbH & Co. KG			TB 09 47 80 80 xxx		Blatt/ page	
DRS476B			D-32339 ESPELKAMP			Sub.			
Mod.	Dat.	Name							



Mouser Electronics

Authorized Distributor

Click to View Pricing, Inventory, Delivery & Lifecycle Information:

[HARTING:](#)

[09478080002](#)