

**PLEASE CHECK WWW.MOLEX.COM FOR LATEST PART INFORMATION**

**Part Number:** **5019301100**  
**Status:** **Active**  
**Overview:** Duo-Clasp™ Wire-to-Board System  
**Description:** 1.25mm Pitch Duo-Clasp Wire-to-Board Crimp Terminal, Reel

**Documents:**

<a href="#">3D Model</a>	<a href="#">Application Specification AS-503110-002-001 (PDF)</a>
<a href="#">Drawing (PDF)</a>	<a href="#">Packaging Specification SPK-501930-001-001 (PDF)</a>
<a href="#">Product Specification PS-501931-002-001 (PDF)</a>	<a href="#">RoHS Certificate of Compliance (PDF)</a>
<a href="#">Application Specification AS-503110-001-001 (PDF)</a>	

**General**

Product Family	Crimp Terminals
Series	501930
Application	Signal
Crimp Quality Equipment	Yes
Overview	Duo-Clasp™ Wire-to-Board System
Product Name	Duo-Clasp
UPC	822350237017

**Physical**

Durability (mating cycles max)	30
Gender	Male
Material - Metal	Copper Alloy
Material - Plating Mating	Gold
Material - Plating Termination	Tin
Net Weight	16.452/mg
Packaging Type	Reel
Plating min - Mating	0.102µm
Plating min - Termination	1.016µm
Wire Insulation Diameter	0.80-1.0mm
Wire Size AWG	26, 28
Wire Size mm²	N/A

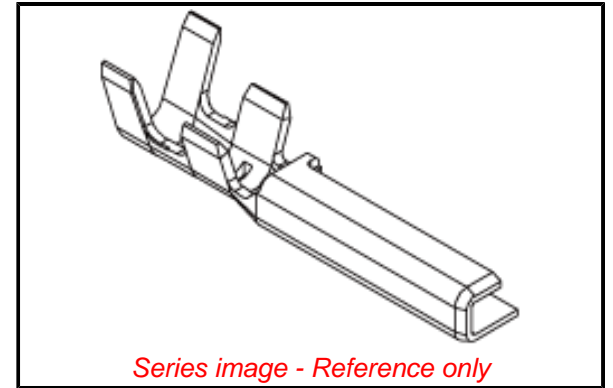
**Electrical**

Current - Maximum per Contact	1.0A
Voltage - Maximum	50V AC (RMS)/DC

**Material Info**

**Reference - Drawing Numbers**

Application Specification	AS-503110-001-001, AS-503110-002-001
Crimp Specification	CS-501930-001-001
Packaging Specification	SPK-501930-001-001
Product Specification	PS-501931-002-001
Sales Drawing	SD-501930-001, SD-501930-002



**EU ELV**

**Not Relevant**

**EU RoHS**

**Compliant**

**REACH SVHC**

Not Contained Per -  
ED/30/2017 (7 July  
2017)

**Halogen-Free**

**Status**

**Low-Halogen**

**Need more information on product environmental compliance?**

Email [productcompliance@molex.com](mailto:productcompliance@molex.com)  
Please visit the [Contact Us](#) section for any non-product compliance questions.

China ROHS	Green Image
ELV	Not Relevant
RoHS Phthalates	Not Contained

**Search Parts in this Series**

[501930](#) Series

**Mates With**

[501931](#) PCB Receptacle . [502046](#) PCB Receptacle

**Use With**

[503110](#) Crimp Housing

# Mouser Electronics

Authorized Distributor

Click to View Pricing, Inventory, Delivery & Lifecycle Information:

[Molex:](#)

[501930-1100](#) [501930-1100 \(Loose Piece\)](#) [501930-1100 \(Mouser Reel\)](#) [501930-1100 \(Cut Strip\)](#)