

General Specifications

Motor Protection:

Auto Restart/Polarity Protection

Insulation Resistance:

10M Ω or over with a DC500V Megger

Dielectric Withstand Voltage: AC 700V 1s

Allowable Ambient Temperature Range:

-10°C ~ +70°C (Operating)

-40°C ~ +70°C (Storage)

(non-condensing environment)

Expected Life

Failure Rate: 10%

25°C 100,000 Hours (B00/E00)

Material

Casing : Plastic (Black) 94V-0

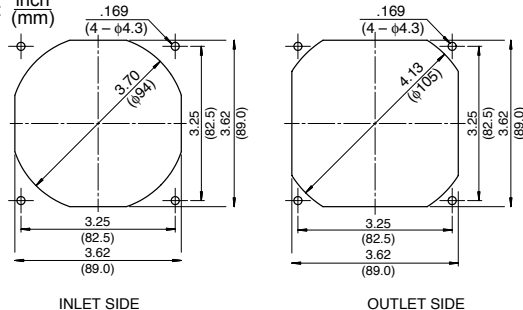
Impeller : Plastic (Black) 94V-0

Bearing : Ball Bearing

Lead Wire : UL3385, AWG26, +Red, -Black

Panel Cut-Outs

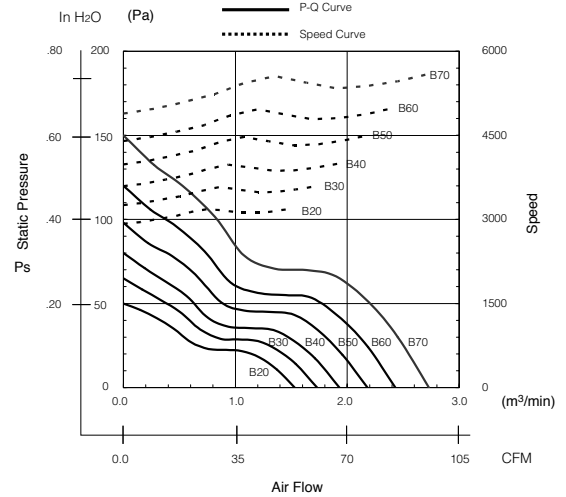
Units: inch (mm)



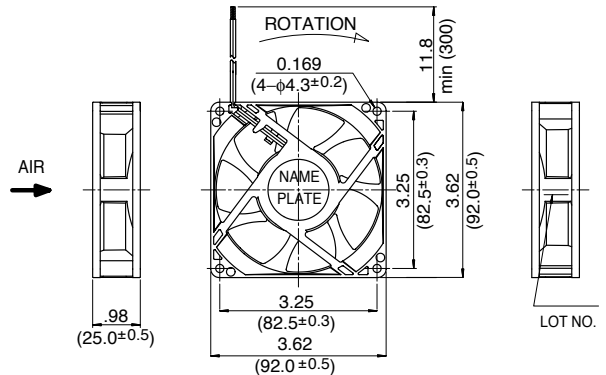
INLET SIDE

OUTLET SIDE

Characteristic Curves



Outline



Specifications

MODEL	Product No.	Rated Voltage	Operating Voltage	Current	Input Power	Speed	Max. Air Flow		Max. Static Pressure		Noise	Mass
		(V)	(V)	(A) ^{*1}	(W) ^{*1}	(min ⁻¹) ^{*1}	CFM ^{*1}	(m ³ /min) ^{*1}	in H ₂ O	(Pa) ^{*1}	(dB) ^{*1}	(g)
3610VL-04W-B20-	B/EXX	12	7.0 ~ 13.8	0.18	2.16	3200	54.0	1.53	.20	50	35.5	135
3610VL-04W-B30-	B/EXX	12	7.0 ~ 13.8	0.24	2.88	3600	61.1	1.73	.26	65	38.5	135
3610VL-04W-B40-	B/EXX	12	7.0 ~ 13.8	0.30	3.60	4000	68.1	1.93	.32	80	42.0	135
3610VL-04W-B50-	B/EXX	12	7.0 ~ 13.8	0.40	4.80	4500	77.0	2.18	.39	98	45.0	135
3610VL-04W-B60-	B/EXX	12	7.0 ~ 13.8	0.52	6.24	5000	85.8	2.43	.48	120	48.0	135
3610VL-04W-B70-	B/EXX	12	7.0 ~ 13.8	0.72	8.64	5600	96.4	2.73	.60	150	51.0	135
3610VL-05W-B20-	B/EXX	24	14.0 ~ 27.6	0.11	2.64	3200	54.0	1.53	.20	50	35.5	135
3610VL-05W-B30-	B/EXX	24	14.0 ~ 27.6	0.14	3.36	3600	61.1	1.73	.26	65	38.5	135
3610VL-05W-B40-	B/EXX	24	14.0 ~ 27.6	0.17	4.08	4000	68.1	1.93	.32	80	42.0	135
3610VL-05W-B50-	B/EXX	24	14.0 ~ 27.6	0.22	5.28	4500	77.0	2.18	.39	98	45.0	135
3610VL-05W-B60-	B/EXX	24	14.0 ~ 27.6	0.28	6.72	5000	85.8	2.43	.48	120	48.0	135
3610VL-05W-B70-	B/EXX	24	14.0 ~ 27.6	0.38	9.12	5600	96.4	2.73	.60	150	51.0	135

Rotation: Clockwise

Airflow Outlet: Air Out Over Struts

*1: Average Values in Free Air

Mouser Electronics

Authorized Distributor

Click to View Pricing, Inventory, Delivery & Lifecycle Information:

NMB Technologies:

<u>3610VL-04W-B40-E00</u>	<u>3610VL-04W-B59-E00</u>	<u>3610VL-05W-B69-E00</u>	<u>3610VL-05W-B70-B00</u>	<u>3610VL-05W-B29-B00</u>
<u>3610VL-05W-B29-B50</u>	<u>3610VL-05W-B39-E00</u>	<u>3610VL-05W-B79-B50</u>	<u>3610VL-05W-B29-E00</u>	<u>3610VL-04W-B49-B00</u>
<u>3610VL-05W-B39-E50</u>	<u>3610VL-05W-B69-E50</u>	<u>3610VL-04W-B49-E00</u>	<u>3610VL-05W-B39-B50</u>	<u>3610VL-05W-B69-B00</u>
<u>3610VL-04W-B70-B00</u>	<u>3610VL-05W-B39-B00</u>	<u>3610VL-05W-B30-E00</u>	<u>3610VL-05W-B50-E00</u>	<u>3610VL-05W-B79-E50</u>
<u>3610VL-04W-B39-B00</u>	<u>3610VL-05W-B20-E00</u>	<u>3610VL-04W-B50-E00</u>	<u>3610VL-05W-B50-B00</u>	<u>3610VL-04W-B30-B00</u>
<u>3610VL-04W-B39-E50</u>	<u>3610VL-04W-B79-B00</u>	<u>3610VL-05W-B49-B50</u>	<u>3610VL-05W-B59-E50</u>	<u>3610VL-05W-B69-B50</u>
<u>3610VL-04W-B60-B00</u>	<u>3610VL-04W-B70-E00</u>	<u>3610VL-05W-B59-E00</u>	<u>3610VL-05W-B79-E00</u>	<u>3610VL-04W-B40-B00</u>
<u>3610VL-05W-B59-B50</u>	<u>3610VL-04W-B39-E00</u>	<u>3610VL-05W-B20-B00</u>	<u>3610VL-04W-B20-B00</u>	<u>3610VL-05W-B40-E00</u>
<u>3610VL-04W-B69-E00</u>	<u>3610VL-05W-B60-E00</u>	<u>3610VL-05W-B49-E50</u>	<u>3610VL-04W-B59-B50</u>	<u>3610VL-04W-B79-B50</u>
<u>3610VL-04W-B50-B00</u>	<u>3610VL-04W-B69-B00</u>	<u>3610VL-05W-B29-E50</u>	<u>3610VL-04W-B49-E50</u>	<u>3610VL-04W-B60-E00</u>
<u>3610VL-04W-B69-E50</u>	<u>3610VL-05W-B30-B00</u>	<u>3610VL-04W-B39-B50</u>	<u>3610VL-04W-B49-B50</u>	<u>3610VL-05W-B40-B00</u>
<u>3610VL-04W-B29-E00</u>	<u>3610VL-04W-B59-B00</u>	<u>3610VL-04W-B29-B00</u>	<u>3610VL-04W-B29-E50</u>	<u>3610VL-04W-B59-E50</u>
<u>3610VL-05W-B70-E00</u>	<u>3610VL-04W-B79-E50</u>	<u>3610VL-05W-B49-B00</u>	<u>3610VL-04W-B69-B50</u>	<u>3610VL-05W-B49-E00</u>
<u>3610VL-04W-B79-E00</u>	<u>3610VL-05W-B79-B00</u>	<u>3610VL-04W-B29-B50</u>	<u>3610VL-05W-B59-B00</u>	<u>3610VL-05W-B60-B00</u>
<u>3610VL-04W-B20-E00</u>	<u>3610VL-04W-B30-E00</u>			