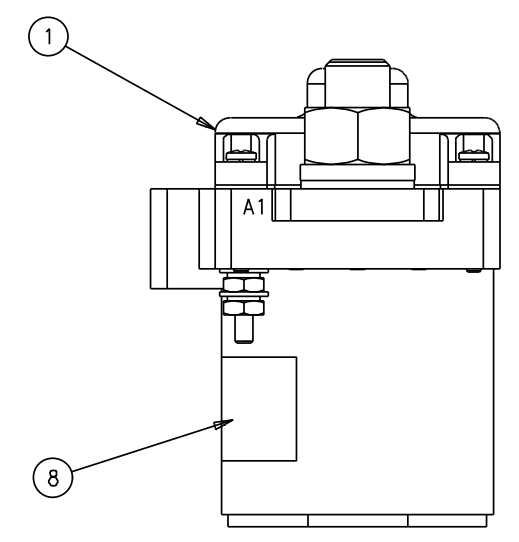
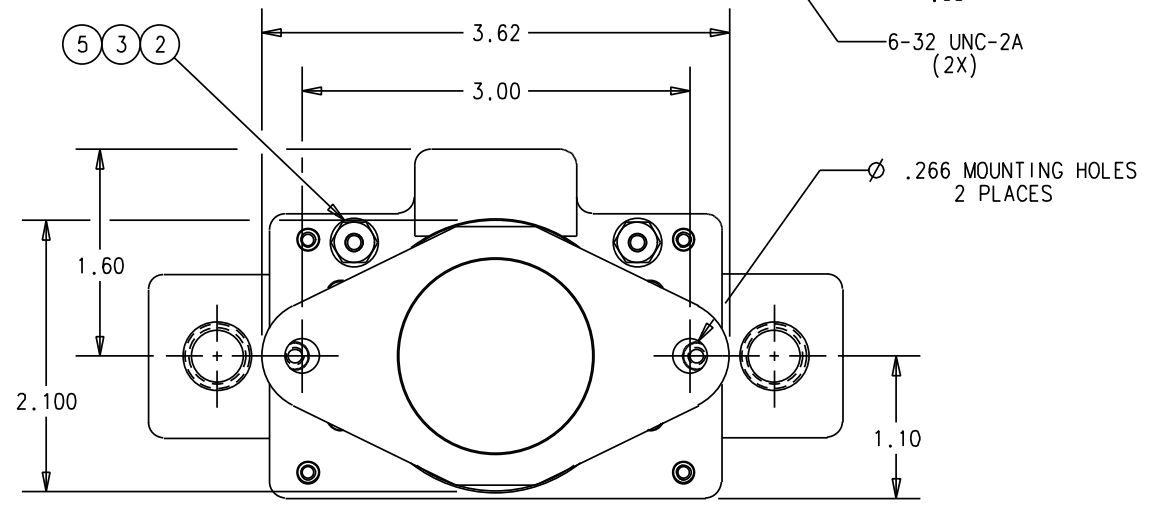
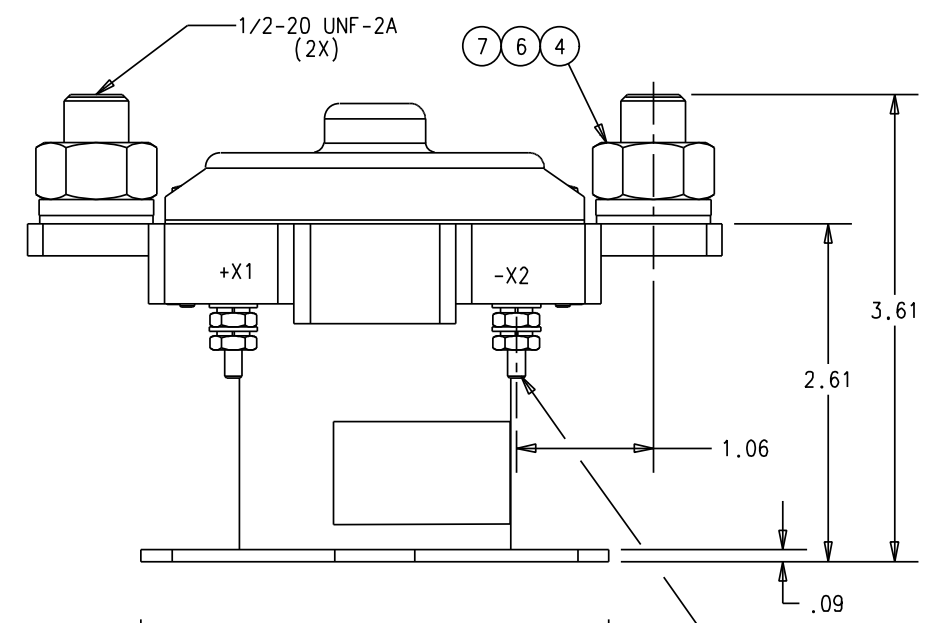
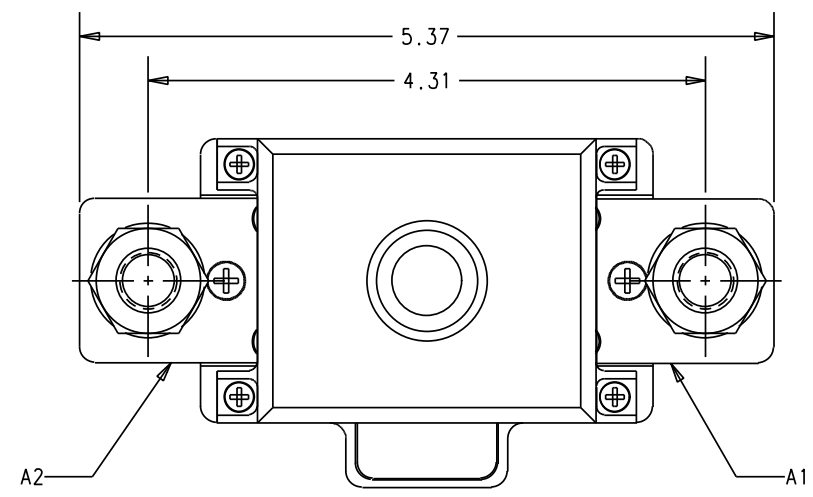


REV.		DESCRIPTION	DATE	APPROVED
A	08-020282	RELEASE	08/09/17	CB
B	09-005653	ADDED INSTALLATION NOTES	09/02/04	CB



CONSTRUCTION GASKET SEALED

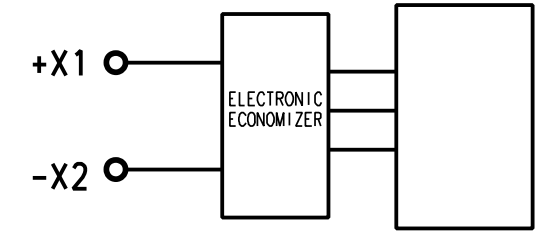
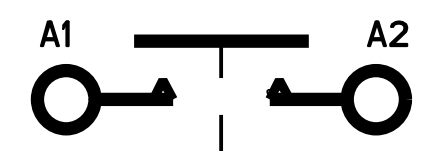
MAIN CONTACTS CONFIGURATION SPST N.O. (DOUBLE BREAK)
 VOLTAGE 28 VDC
 CURRENT RESISTIVE 1000 A

COIL DATA DUTY CYCLE CONTINUOUS (ECONOMIZED)
 NOM. OPERATE VOLTAGE 28 VDC
 MAX. PICKUP VOLTAGE 18 VDC (@25°C)
 DROPOUT VOLTAGE 1-8 VDC
 CURRENT 7.0 A MAX AT 30 VDC - INRUSH
 1.0 A MAX AT 30 VDC - HOLD

ENVIRONMENTAL DATA TEMPERATURE -51°C TO 71°C

LIFE ELECTRICAL 50,000 CYCLES
 LIFE MECHANICAL 100,000 CYCLES

WEIGHT, MAX 2.75 LBS



INSTALLATION NOTES:
 RECOMMENDED TORQUE FOR TERMINATIONS;
 1/2-20 UNF-2A = 112 IN-LBS
 6-32 UNC-2A = 7.5 IN-LBS

FIND NO	QTY	PART OR IDENTIFYING NO	NOMENCLATURE OR DESCRIPTION	DRAWING OR SPECIFICATION	FSCM NO	TE PART NO	MATERIAL OR NOTE
8	1	16043-001	PLATE-NAME			3-1616169-5	
7	2	MS35650-3395T	NUT 1/2-20, .812 HEX, .43 THK			1-1616454-9	
6	2	MS35338-105	LOCK WASHER - SPLIT 1/2			1-1616454-9	
5	2	MS35338-98	WASHER - LOCK			1-1616454-3	
4	2	AN961-816T	WASHER, .52 ID, .88 OD, .064 THK			1616413-5	
3	2	AN961-6T	WASHER FLAT			1616413-4	
2	2	50406-071	NUT, 6-32			4-1616337-6	
1	1	46095-170	CONTACTOR ASSEMBLY PRIMARY			1616967-3	

UNLESS OTHERWISE SPECIFIED DIMENSIONS ARE IN INCHES TOLERANCES ON

2 PL DEC. 3 PL DEC. ANGLES ± .02 ± .005 ± 1°

DR BY	JMK	07/11/15
CHK BY	CB	09/02/04
ENGR	RRG	09/12/08
MFG	DWA	09/02/04

SIZE B CODE IDENT 74063

SCALE 1:1 SHEET 1/1

Tyco Electronics
 Hartman Division 175 N. DIAMOND STREET MANSFIELD, OHIO 44902

CONTACTOR SPST N.O. (DOUBLE BREAK) 1000A

DWG NO. K-1000A1F03

REF TE PN 4-1616966-1

Mouser Electronics

Authorized Distributor

Click to View Pricing, Inventory, Delivery & Lifecycle Information:

[TE Connectivity:](#)

[K1000A1F03](#)