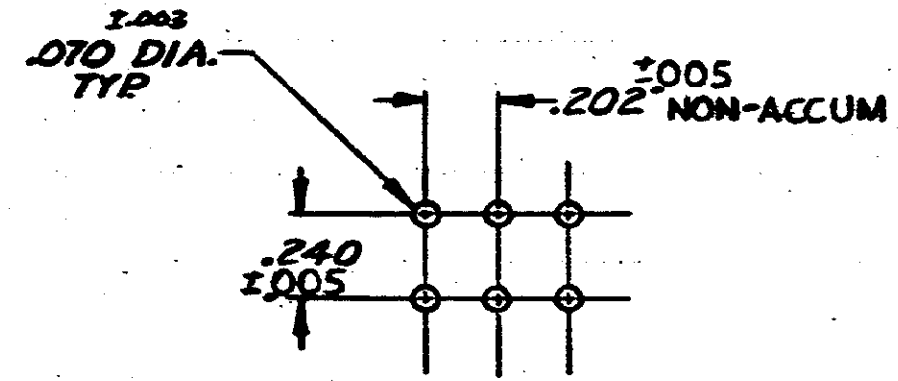
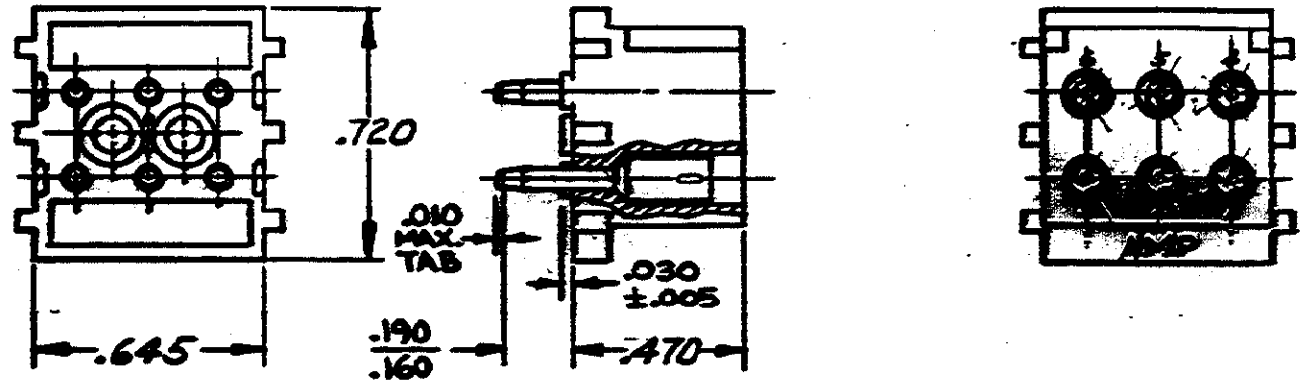


U



RECOMMENDED LAYOUT FOR
.062 THICK P.C. BOARD

- 1. MATES WITH HOUSING 480276
- 2. PARTS COMPLY WITH AMP SOLDERABILITY SPEC. #109-11-3
- 3. OBSOLETE PARTS: OBSOLETE CIS STREAMLINING PER D.RENAUD/D.SINISI

3	OBSOLETE	350641-2	NYLON - NATURAL	PHOS BRZ - GOLD
		350641-1	NYLON - NATURAL	PHOS BRZ - PRE-TIN
		ASSEMBLY NO.	HSG. MATL & COLOR	PIN MATL & FINISH

Unpublished copy not to be reproduced nor published without written permission of AMP Incorporated

G	OBSOLETE 1-11-72	KW	RS	A-21	86
F	RESTORED	SK	RS	9/5/85	86
E	REV PER M-7376	SS	DA	5/30/85	86
D	REVISED M-3932	MF	DH	2-28-77	86
C	ECN M-3871	REN	DH	9-9-72	86
B	ECN M-3952	GY	RSE	7/4/74	86
A	RELEASED FOR PWD	DR	DL	7/1/75	86
-	ECN M-3152	CP	SM	7/1/75	86
-	PER ECN M-2996	HS	DL	5/1/74	86

REVISION RECORD	REVISION RECORD	REVISION RECORD	REVISION RECORD	REVISION RECORD	REVISION RECORD
G1	REV PER ECO-09-026346	KK	AEG	NOV09	86
L7R	REVISION RECORD	DR	CHK	DATE	86

© 1973 AMP INCORPORATED. ALL RIGHTS RESERVED. AMP PRODUCTS COVERED BY PATENTS AND/OR PATENTS PENDING.

OR 9. Edman 5-31-73

CHK 2 Chrom 4-5-74

DE CM Polk 4/5/74

AMP EM Callaway 4/5/74

MATERIAL AND FINISH: SEE TABLE

WIRE RANGE - INSULATION: H

TOLERANCE EXCEPT AS NOTED: ±.015

SCALE: H

LOC: CM B

NO: 350641

REV: G1

NAME: 6 CIRCUIT MATE-N-LOK P.C. BOARD SOCKET HEADER

DIMENSIONS IN INCHES. DO NOT SCALE PRINT.

Mouser Electronics

Authorized Distributor

Click to View Pricing, Inventory, Delivery & Lifecycle Information:

[TE Connectivity:](#)

[350641-1](#)