

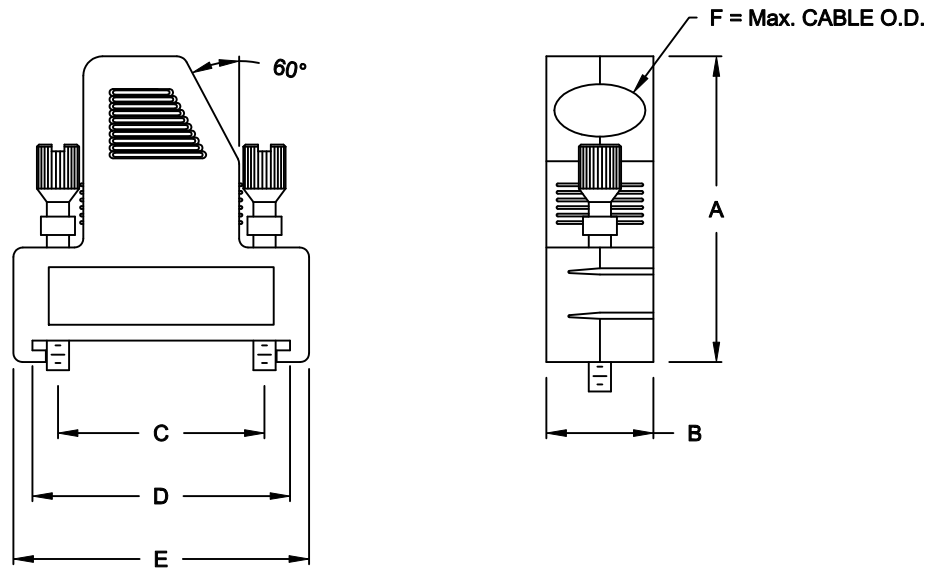
DESCRIPTION: 60° ENTRY - BLACK PLASTIC

SPECIFICATIONS:

MATERIAL: POLYAMID UL-RECOGNIZED
UL94-HB

BACKSHELL KIT INCLUDES:

- (2) BACKSHELL HALVES
- (1) STRAIN RELIEF CLAMP
- (2) STRAIN RELIEF SCREWS
- (2) THUMBSCREWS



DIMENSIONS (IN.)						
No. OF PINS	A	B	C	D	E	F
09	1.457	0.496	0.984	1.228	1.409	0.315
15	1.496	0.496	1.311	1.555	1.736	0.315
25	1.614	0.496	1.854	2.098	2.280	0.354
37	1.614	0.496	2.500	2.744	2.925	0.354

951-YYY-010R011

SERIES _____

POSITIONS _____

009 _____

015 _____

025 _____

037 _____

MATERIAL _____

010 = PLASTIC _____

RoHS COMPLIANT _____

R = HIGH TEMP. PROCESS _____

COLOR _____

01 = BLACK _____

PUT-UP _____

1 = KIT _____

DO NOT SCALE FROM DRAWING

	THESE DRAWINGS AND SPECIFICATIONS ARE THE PROPERTY OF NorComp AND SHALL NOT BE REPRODUCED, COPIED OR USED AS THE BASIS FOR THE MANUFACTURE OF SALE OF APPARATUS WITHOUT WRITTEN PERMISSION.		DRAWN: C. SMITH	DATE: 03-26-07
			CHECKED:	DATE:
NorComp		SCALE: 1 : 1	SHEET 1 OF 1	REV 2
		DWG NO. 951-YYY-010R011		

RoHS COMPLIANT

Mouser Electronics

Authorized Distributor

Click to View Pricing, Inventory, Delivery & Lifecycle Information:

[NorComp:](#)

[951-015-010R011](#) [951-025-010R011](#) [951-009-010R011](#) [951-037-010R011](#)