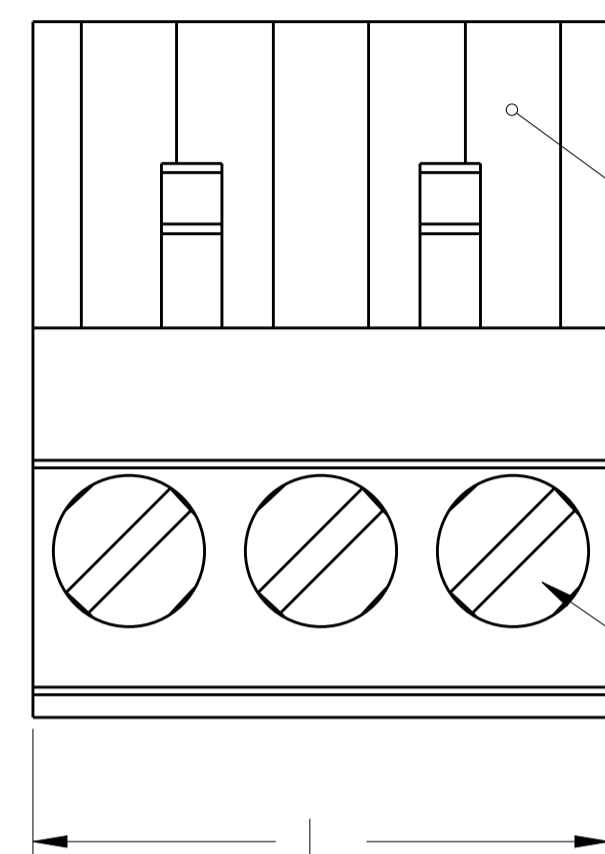
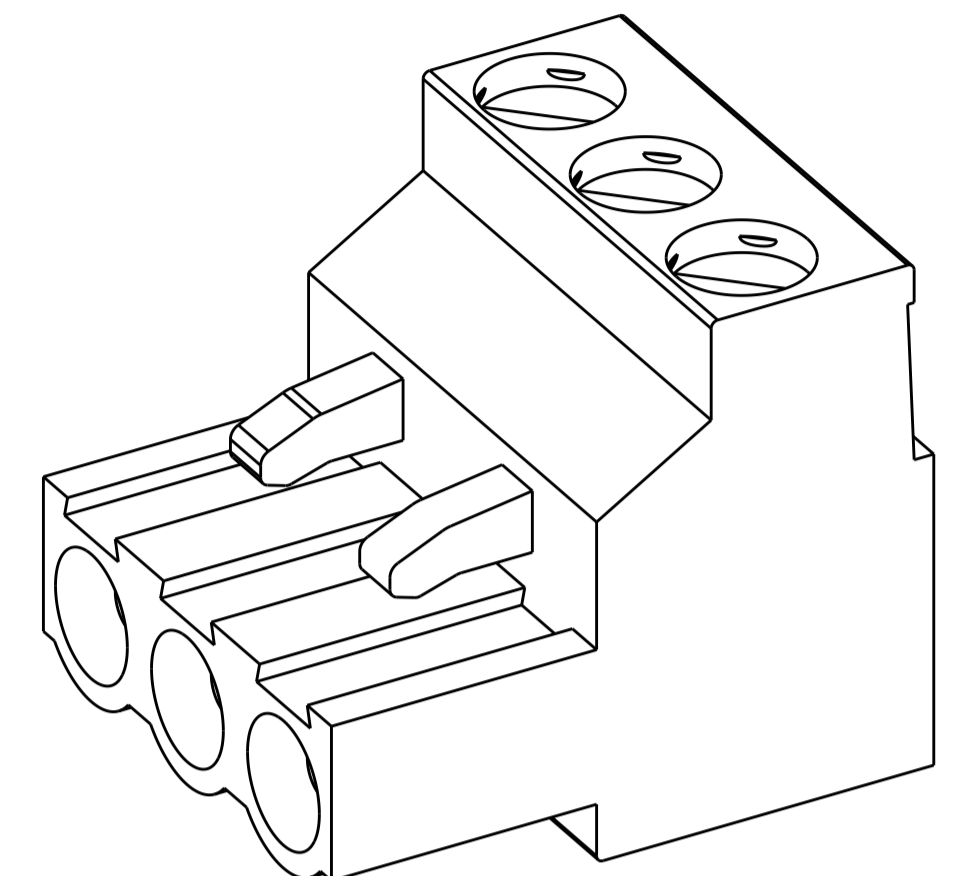


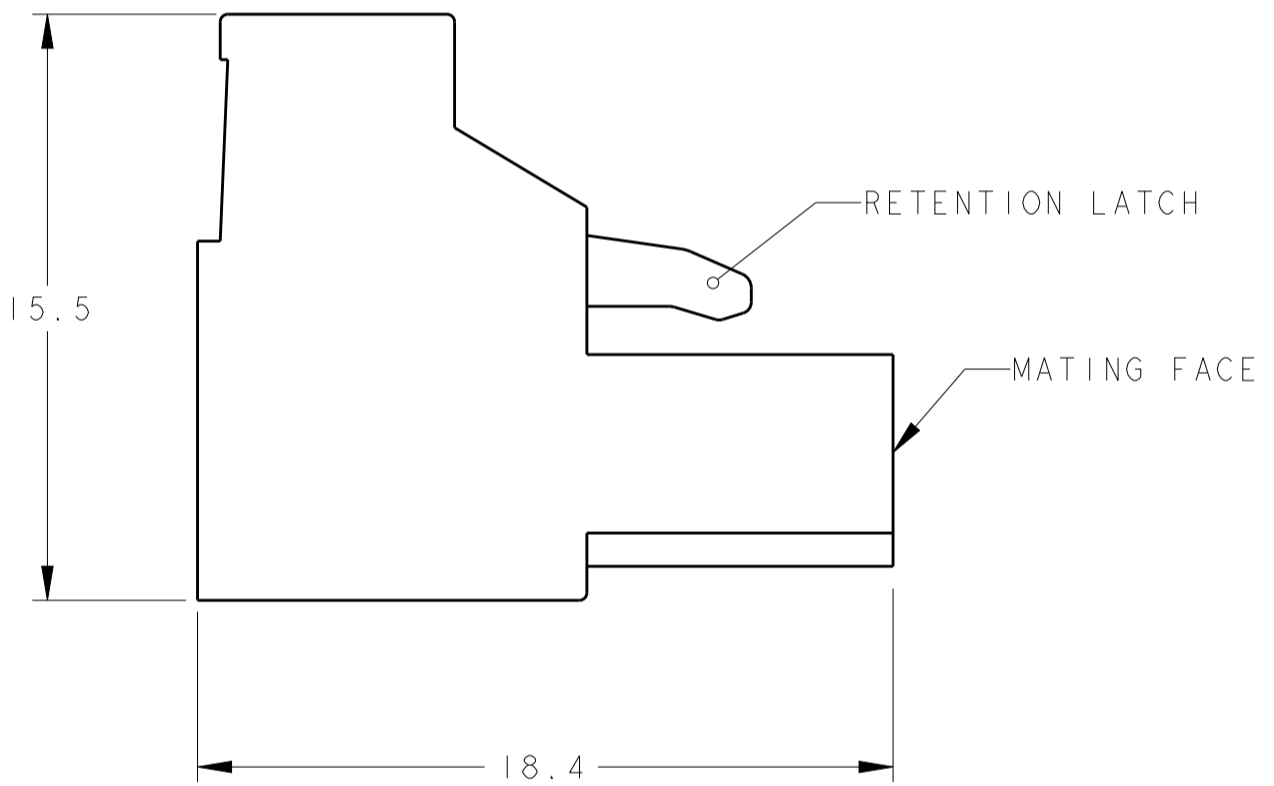
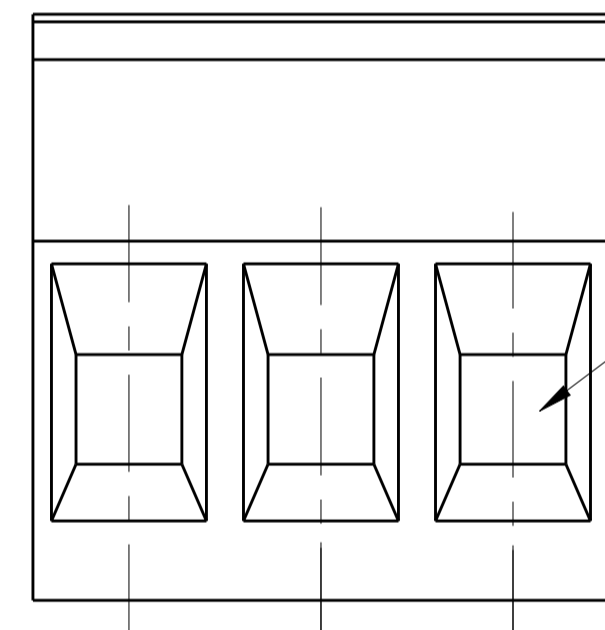
| LOC | | DIST | | REVISIONS | | | |
|-----|---|------|-----|----------------------------|-----------|-----|------|
| FT | 0 | P | LTN | DESCRIPTION | DATE | OWN | APVD |
| | | R11 | | DETAIL S CORRECTED-SHEET 2 | 01DEC2014 | PS | JK |



POLARIZATION KEY SLOT
 CLAMPING SCREW



796634-3 AS SHOWN



2.54 REF 2 PLC
 5.08±0.08 TYP

- △ MATERIALS AND FINISH:
 HOUSING: PA 6-6, UL 94-V0, COLOR:GREEN.
 CLAMP: BRASS, PLATING: SEE TABLE.
 DOUBLE SIDE CONTACT SPRING: PHOSPHOR BRONZE, PLATING: SEE TABLE.
 CLAMPING SCREW: M3, BRASS, NICKEL PLATED.
- END-TO-END STACKABLE WITHOUT LOSS OF CENTERLINE SPACING.
 - WIRE SIZE RANGE: 12-30 AWG.
 - RECOGNIZED UNDER THE COMPONENT PROGRAM OF UNDERWRITERS LABORATORIES INC. FILE N° E60677.
 - IMQ CERTIFICATE WITH SURVEILLANCE IN CONFORMITY WITH IEC 998-1/998-2-1.
- △ NOT CUMULATIVE TOLERANCE
- △ INK MARKING, WHITE COLOR
- △ INK MARKING, BLACK COLOR
- △ NUMERICAL SEQUENCE: FROM LEFT TO RIGHT UNLESS OTHERWISE SPECIFIED.
- BUCHANAN LOGO TO APPEAR ON HOUSING, LOCATION OPTIONAL WHERE SPACE PERMITS.
 - SELECTIVELY LOADED IN POSITIONS 1,2,4,5,7,8.

| REMOVE PIN 3 | PRELIMINARY | NICKEL | TIN | △7/△9 | DETAIL AB | 86.36±0.30 | 17 | 8-796634-4 | | | |
|--------------|-------------|--------------------------|--------------------------|-------|---------------|-----------------|---------|------------|---|------------|-------------|
| | PRELIMINARY | NICKEL | TIN | - | - | 25.40±0.20 | 5 | 8-796634-3 | | | |
| | PRELIMINARY | NICKEL | 0.76 μm AU | - | - | 106.68 ±0.35 | 21 | 8-796634-2 | | | |
| | PRELIMINARY | NICKEL | 0.76 μm AU | - | - | 86.36±0.30 | 17 | 8-796634-1 | | | |
| | PRELIMINARY | NICKEL | 0.76 μm AU | - | - | 71.12 | 14 | 8-796634-0 | | | |
| | PRELIMINARY | NICKEL | 0.76 μm AU | - | - | 60.96 | 12 | 7-796634-9 | | | |
| | PRELIMINARY | NICKEL | 0.76 μm AU | - | - | 50.80 | 10 | 7-796634-8 | | | |
| | PRELIMINARY | NICKEL | 0.76 μm AU | - | - | 45.72 | 9 | 7-796634-7 | | | |
| | PRELIMINARY | NICKEL | 0.76 μm AU | - | - | 40.64 | 8 | 7-796634-6 | | | |
| | PRELIMINARY | NICKEL | 0.76 μm AU | - | - | 35.56±0.20 | 7 | 7-796634-5 | | | |
| | PRELIMINARY | NICKEL | 0.76 μm AU | - | - | 30.48±0.20 | 6 | 7-796634-4 | | | |
| | PRELIMINARY | NICKEL | 0.76 μm AU | - | - | 25.40±0.20 | 5 | 7-796634-3 | | | |
| | PRELIMINARY | NICKEL | 0.76 μm AU | - | - | 20.32±0.15 | 4 | 7-796634-2 | | | |
| | PRELIMINARY | NICKEL | 0.76 μm AU | - | - | 15.24±0.15 | 3 | 7-796634-1 | | | |
| | PRELIMINARY | NICKEL | 0.76 μm AU | - | - | 10.16±0.15 | 2 | 7-796634-0 | | | |
| | | NICKEL | TIN | - | △ | 40.64 | 8 | 6-796634-9 | | | |
| | | NICKEL | TIN | △7/△9 | DETAIL Z | 91.44±0.30 | 18 | 6-796634-8 | | | |
| | | NICKEL | TIN | △7/△9 | DETAIL Y | 81.28±0.30 | 16 | 6-796634-7 | | | |
| PRELIMINARY | PRELIMINARY | NICKEL | TIN | △7/△9 | DETAIL X | 15.24±0.15 | 3 | 6-796634-6 | | | |
| PRELIMINARY | PRELIMINARY | NICKEL | TIN | △8/△9 | DETAIL W | 101.60±0.35 | 20 | 6-796634-5 | | | |
| | | NICKEL | TIN | △7/△9 | DETAIL V | 15.24±0.15 | 3 | 6-796634-4 | | | |
| PRELIMINARY | PRELIMINARY | NICKEL | TIN | △7/△9 | DETAIL T | 15.24±0.15 | 3 | 6-796634-3 | | | |
| PRELIMINARY | PRELIMINARY | NICKEL | TIN | △7/△9 | DETAIL S | 10.16±0.15 | 2 | 6-796634-2 | | | |
| | | .000008 GOLD OVER NICKEL | .000008 GOLD OVER NICKEL | - | - | 10.16±0.15 | 2 | 5-796634-6 | | | |
| PRELIMINARY | PRELIMINARY | NICKEL | GOLD FLASH | - | - | 25.40±0.20 | 5 | 5-796634-5 | | | |
| PRELIMINARY | PRELIMINARY | NICKEL | GOLD FLASH | - | - | 20.32±0.15 | 4 | 5-796634-4 | | | |
| PRELIMINARY | PRELIMINARY | NICKEL | GOLD FLASH | - | - | 10.16±0.15 | 2 | 5-796634-2 | | | |
| PRELIMINARY | PRELIMINARY | NICKEL | TIN | △8/△9 | DETAIL P3 | 45.72 | 9 | 5-796634-1 | | | |
| PRELIMINARY | PRELIMINARY | NICKEL | TIN | △8/△9 | DETAIL P2 | 45.72 | 9 | 5-796634-0 | | | |
| | | NICKEL | TIN | △7/△9 | DETAIL A-A | 45.72 | 9 | 4-796634-9 | | | |
| PRELIMINARY | PRELIMINARY | NICKEL | TIN | △8/△9 | DETAIL PI | 20.32±0.15 | 4 | 4-796634-5 | | | |
| PRELIMINARY | PRELIMINARY | NICKEL | TIN | △7/△9 | DETAIL R | 71.12 | 14 | 4-796634-4 | | | |
| | | NICKEL | TIN | △8/△9 | DETAIL P | 55.88 | 11 | 4-796634-2 | | | |
| | | NICKEL | TIN | △7/△9 | DETAIL P | 55.88 | 11 | 4-796634-1 | | | |
| | | NICKEL | TIN | △8/△9 | DETAIL N | 35.56±0.20 | 7 | 4-796634-0 | | | |
| | | NICKEL | TIN | △7/△9 | DETAIL M | 81.28±0.30 | 16 | 3-796634-9 | | | |
| | | NICKEL | TIN | △8/△9 | DETAIL K | 81.28±0.30 | 16 | 3-796634-8 | | | |
| | | NICKEL | TIN | △7/△9 | DETAIL J | 121.92±0.35 | 24 | 3-796634-7 | | | |
| | | NICKEL | TIN | △8/△9 | DETAIL H | 121.92±0.35 | 24 | 3-796634-6 | | | |
| | | NICKEL | TIN | △7/△9 | DETAIL G | 121.92±0.35 | 24 | 3-796634-5 | | | |
| | | NICKEL | TIN | △8/△9 | DETAIL F | 121.92±0.35 | 24 | 3-796634-4 | | | |
| | | NICKEL | TIN | △7/△9 | DETAIL E | 50.80 | 10 | 2-796634-8 | | | |
| | | NICKEL | TIN | △7/△9 | DETAIL D | 40.64 | 8 | 2-796634-7 | | | |
| | | NICKEL | TIN | - | - | 127.00±0.35 | 25 | 2-796634-5 | | | |
| | | NICKEL | TIN | - | - | 121.92±0.35 | 24 | 2-796634-4 | | | |
| | | NICKEL | TIN | - | - | 116.84±0.35 | 23 | 2-796634-3 | | | |
| | | NICKEL | TIN | - | - | 111.76±0.35 | 22 | 2-796634-2 | | | |
| | | NICKEL | TIN | - | - | 106.68±0.35 | 21 | 2-796634-1 | | | |
| | | NICKEL | TIN | - | - | 101.60±0.35 | 20 | 2-796634-0 | | | |
| | | NICKEL | TIN | - | - | 96.52±0.35 | 19 | 1-796634-9 | | | |
| | | NICKEL | TIN | - | - | 91.44±0.30 | 18 | 1-796634-8 | | | |
| | | NICKEL | TIN | - | - | 86.36±0.30 | 17 | 1-796634-7 | | | |
| | | NICKEL | TIN | - | - | 81.28±0.30 | 16 | 1-796634-6 | | | |
| | | NICKEL | TIN | - | - | 76.20±0.30 | 15 | 1-796634-5 | | | |
| | | NICKEL | TIN | - | - | 71.12 | 14 | 1-796634-4 | | | |
| | | NICKEL | TIN | - | - | 66.04 | 13 | 1-796634-3 | | | |
| | | NICKEL | TIN | - | - | 60.96 | 12 | 1-796634-2 | | | |
| | | NICKEL | TIN | - | - | 55.88 | 11 | 1-796634-1 | | | |
| | | NICKEL | TIN | - | - | 50.80 | 10 | 1-796634-0 | | | |
| | | NICKEL | TIN | - | - | 45.72 | 9 | 796634-9 | | | |
| | | NICKEL | TIN | - | - | 40.64 | 8 | 796634-8 | | | |
| | | NICKEL | TIN | - | - | 35.56±0.20 | 7 | 796634-7 | | | |
| | | NICKEL | TIN | - | - | 30.48±0.20 | 6 | 796634-6 | | | |
| | | NICKEL | TIN | - | - | 25.40±0.20 | 5 | 796634-5 | | | |
| | | NICKEL | TIN | - | - | 20.32±0.15 | 4 | 796634-4 | | | |
| | | NICKEL | TIN | - | - | 15.24±0.15 | 3 | 796634-3 | | | |
| | | NICKEL | TIN | - | - | 10.16±0.15 | 2 | 796634-2 | | | |
| | | | | | CLAMP PLATING | CONTACT PLATING | MARKING | SPECIAL | L | NO OF POSN | PART NUMBER |

THIS DRAWING IS A CONTROLLED DOCUMENT. DWG: S.WELDON 18OCT2000
 CHK: D.BIEVENOUR 18OCT2000
 APVD: D.BIEVENOUR 18OCT2000

TE Connectivity

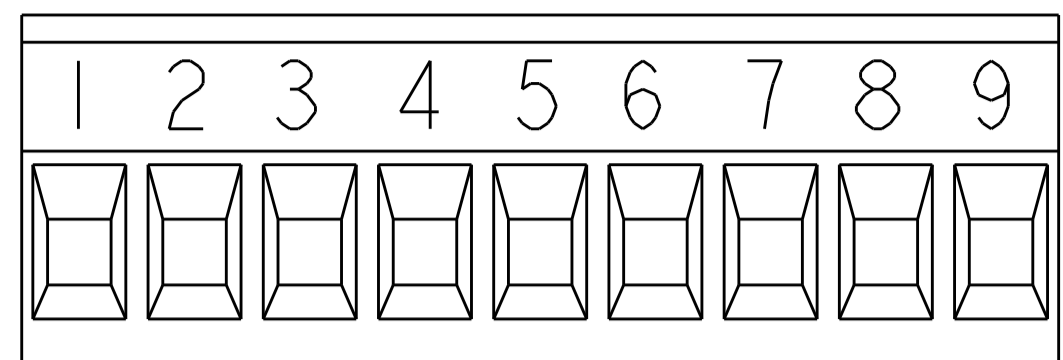
NAME: TERMINAL BLOCK, PLUG, STACKING, 5.08mm PITCH

PRODUCT SPEC: -
 APPLICATION SPEC: -

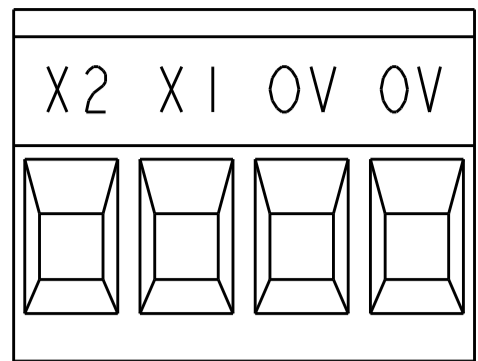
SIZE: A1 CAGE CODE: - DRAWING NO: C=796634 RESTRICTED TO: -
 WEIGHT: - SCALE: 5:1 SHEET 1 OF 3

CUSTOMER DRAWING

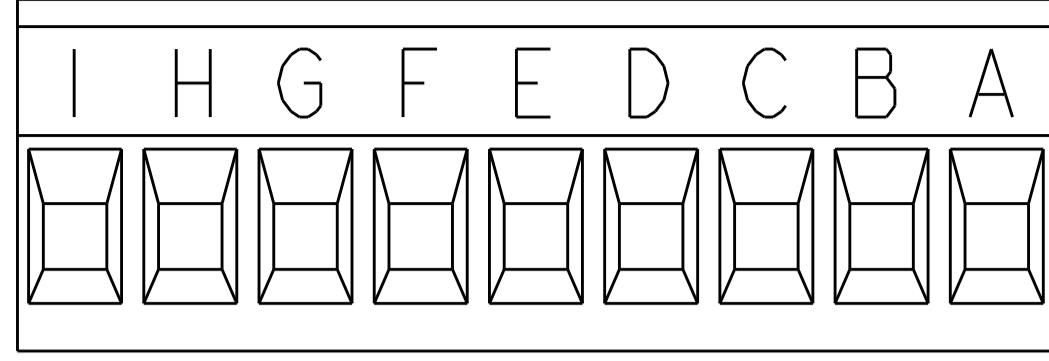
| LOC | DIST | REVISIONS | | | |
|-----|------|-----------|------|----|------|
| FT | 0 | REV | DATE | BY | APPV |
| | | 1 | | | |
| | | 2 | | | |



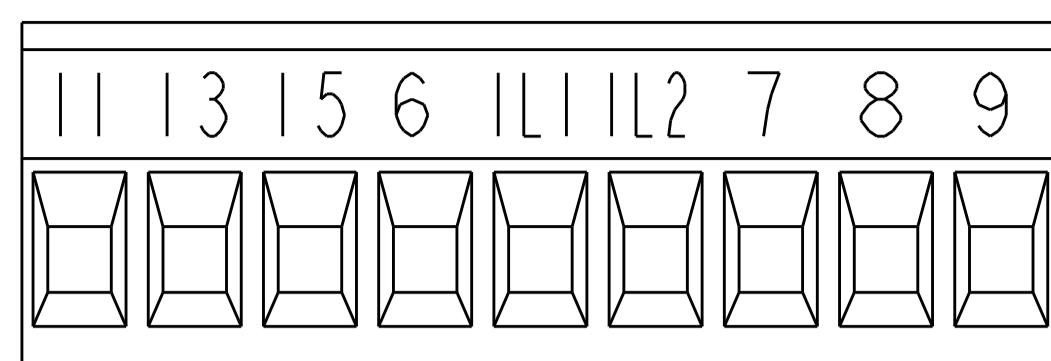
DETAIL A-A



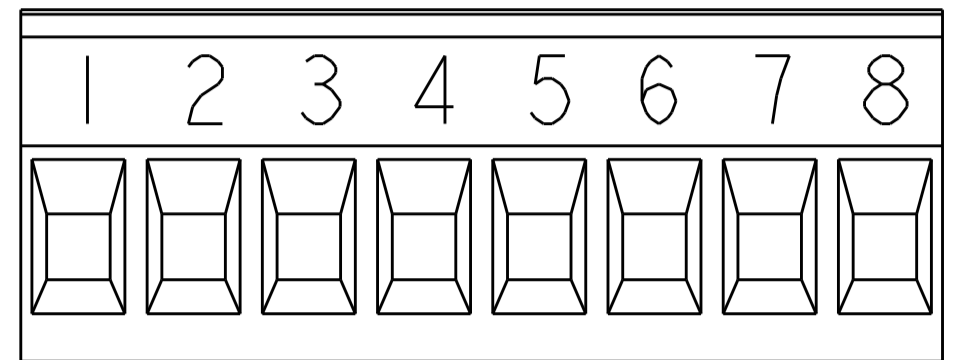
DETAIL P1



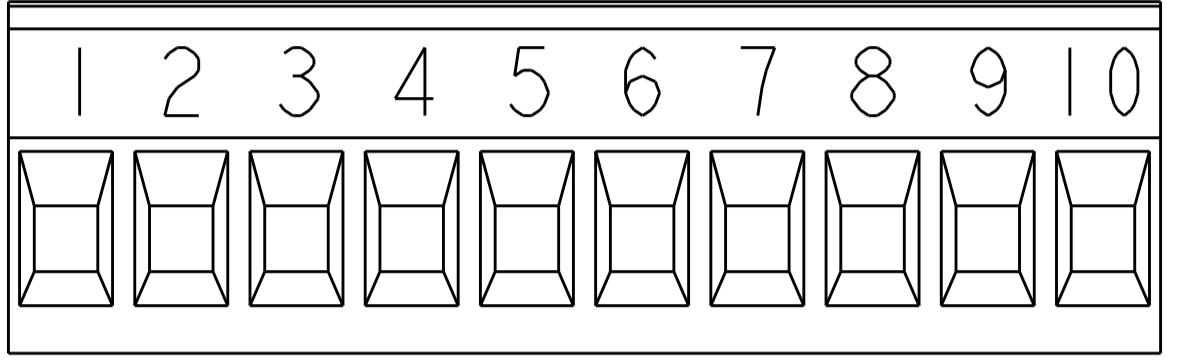
DETAIL P2



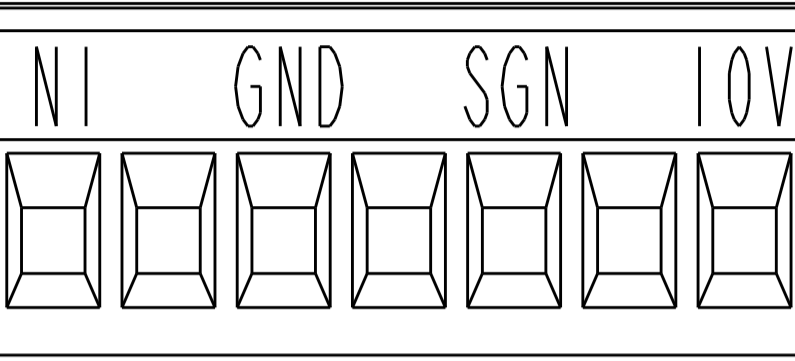
DETAIL P3



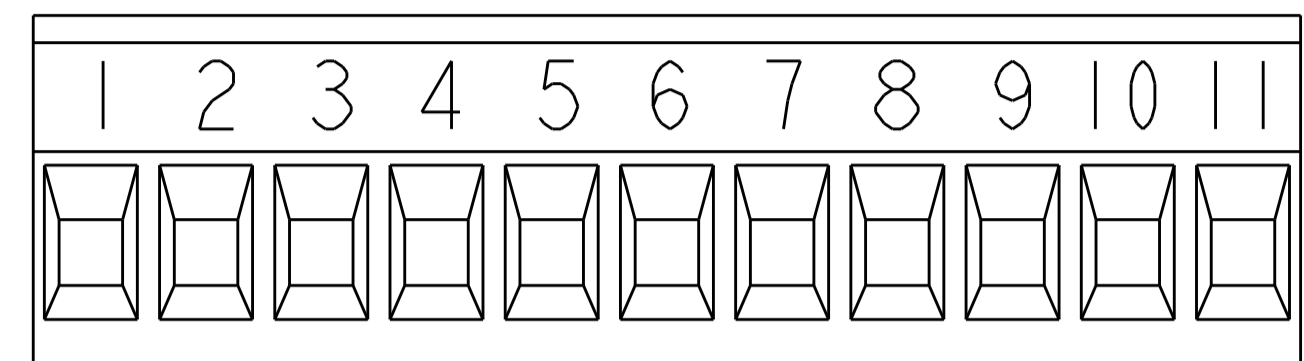
DETAIL D



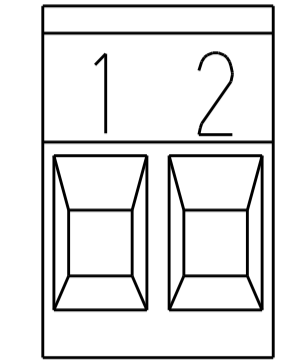
DETAIL E



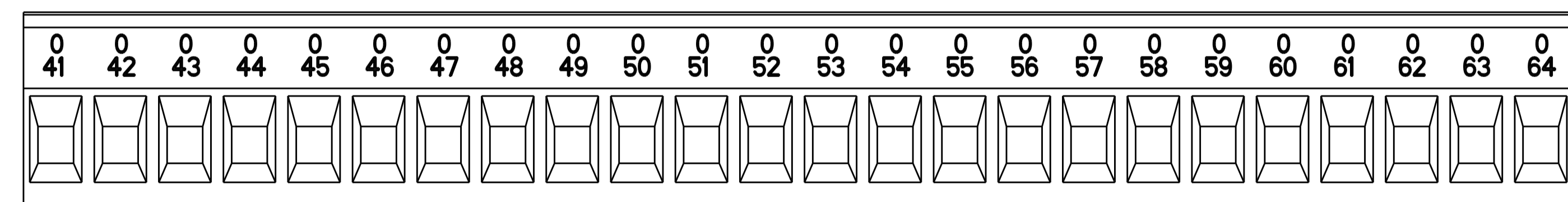
DETAIL N



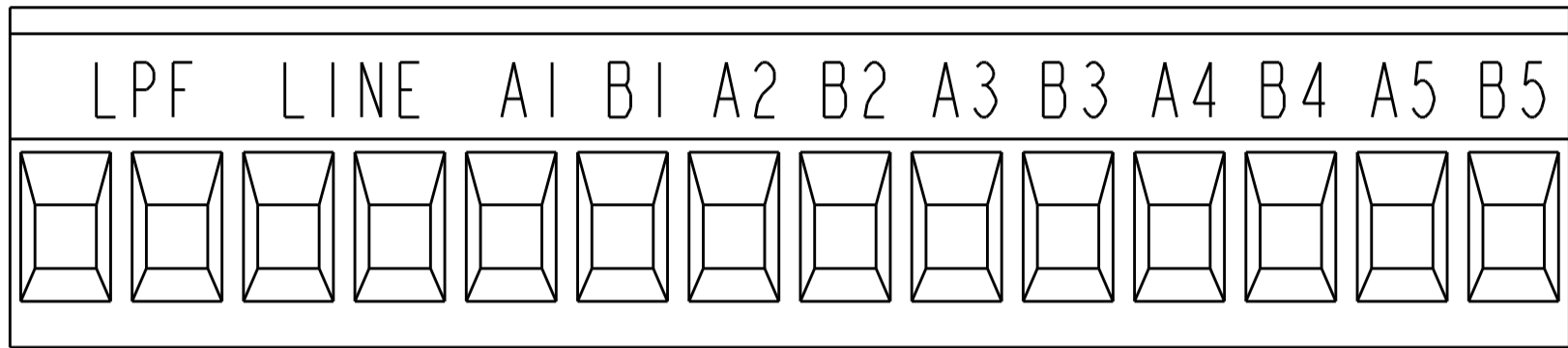
DETAIL P



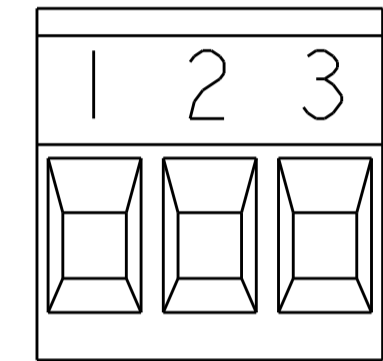
DETAIL S



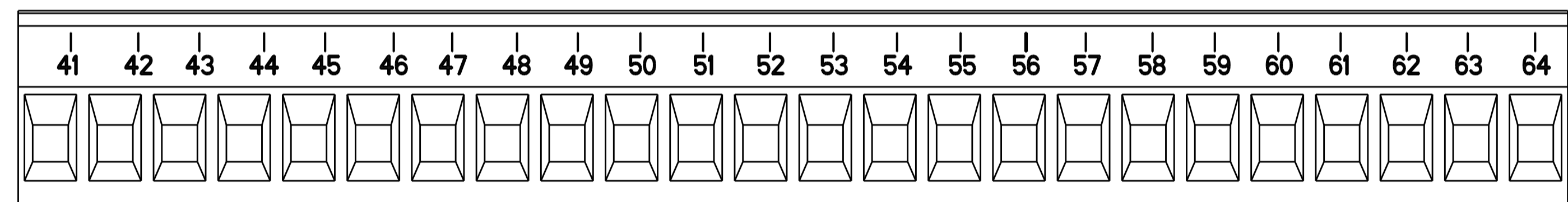
DETAIL F



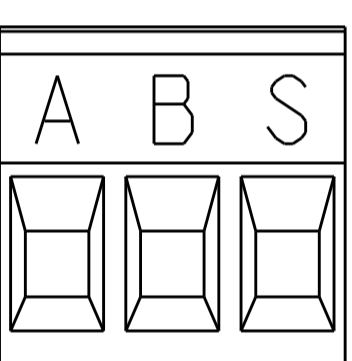
DETAIL R



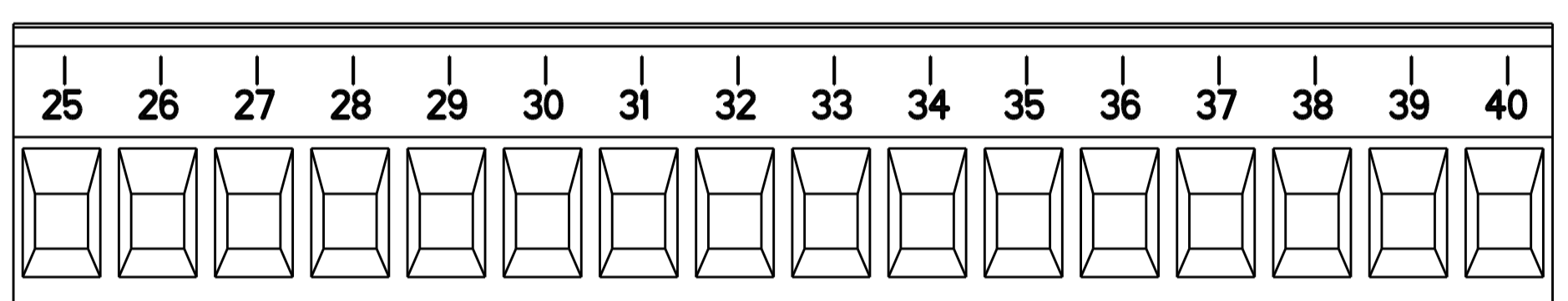
DETAIL T



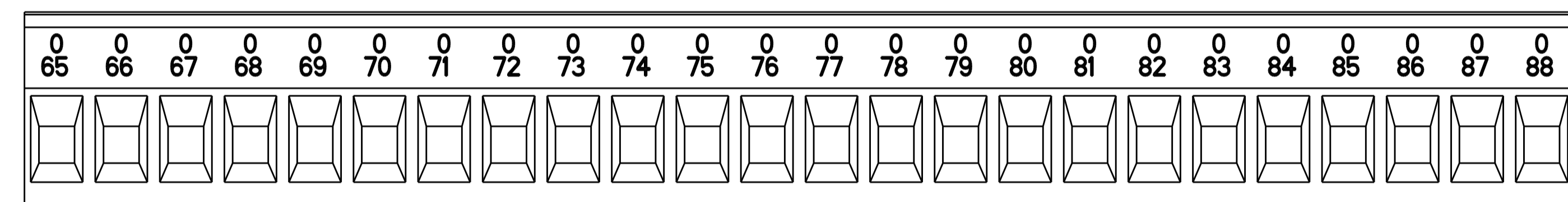
DETAIL G



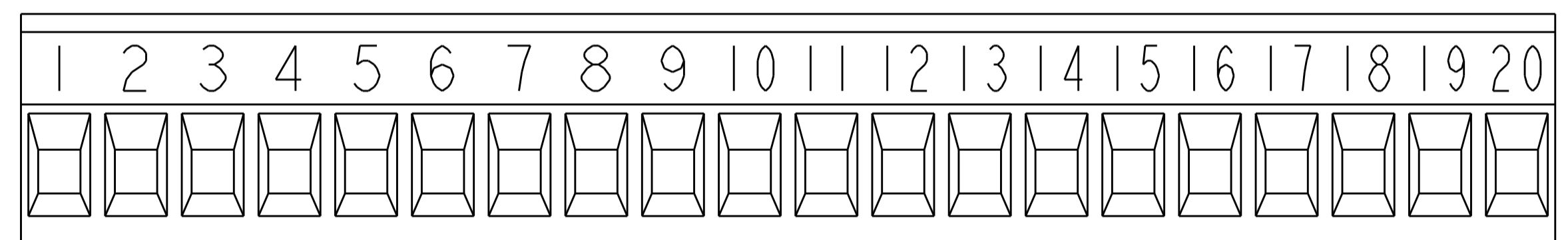
DETAIL V



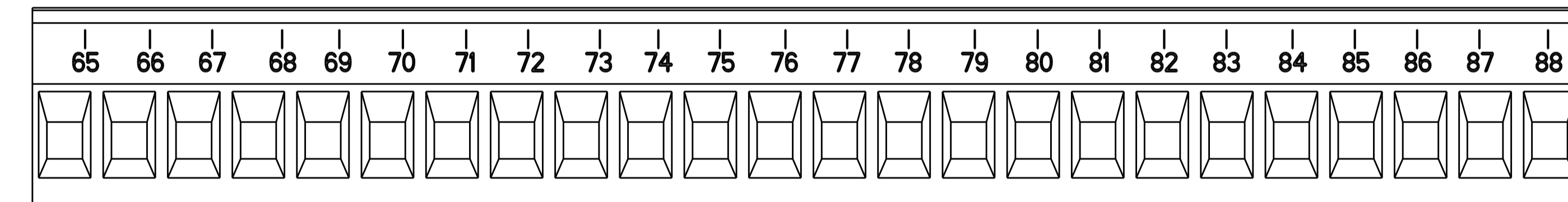
DETAIL M



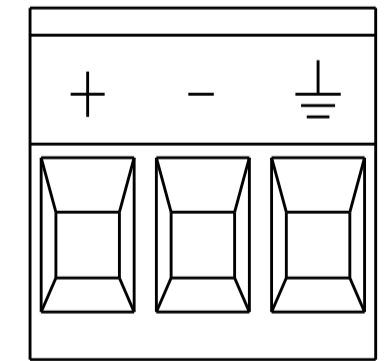
DETAIL H



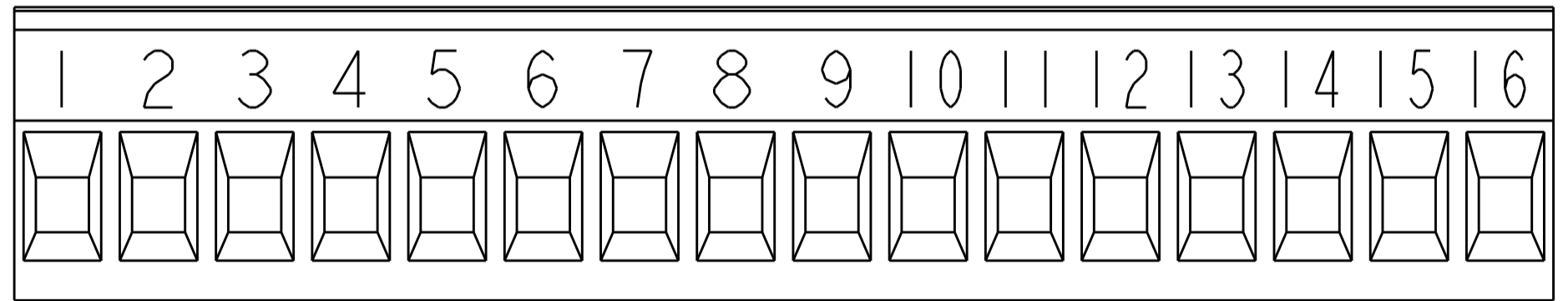
DETAIL W



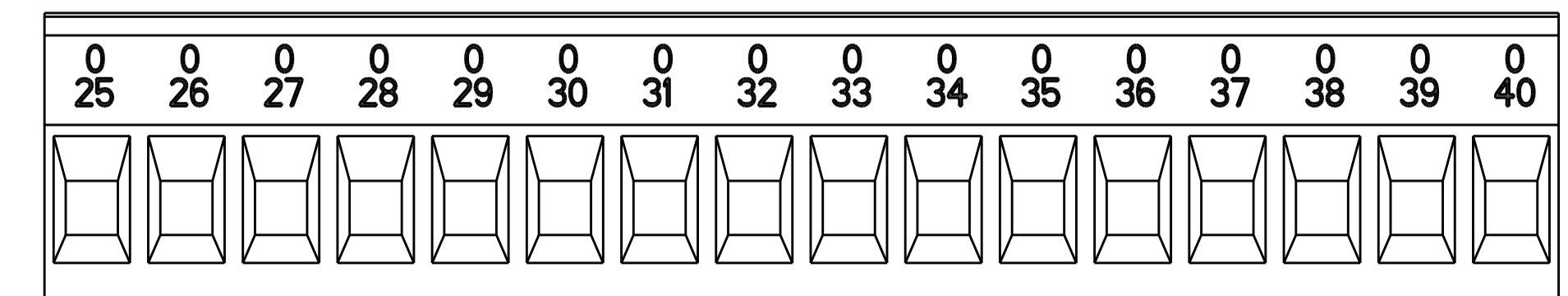
DETAIL J



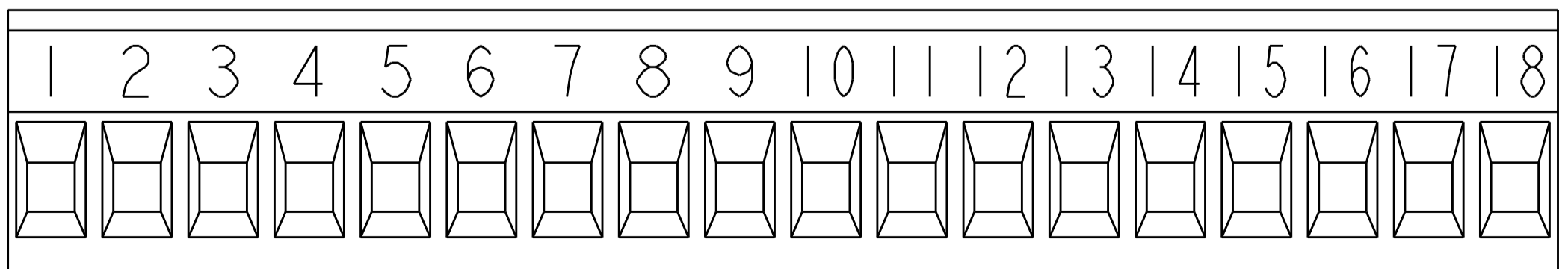
DETAIL X



DETAIL Y



DETAIL K

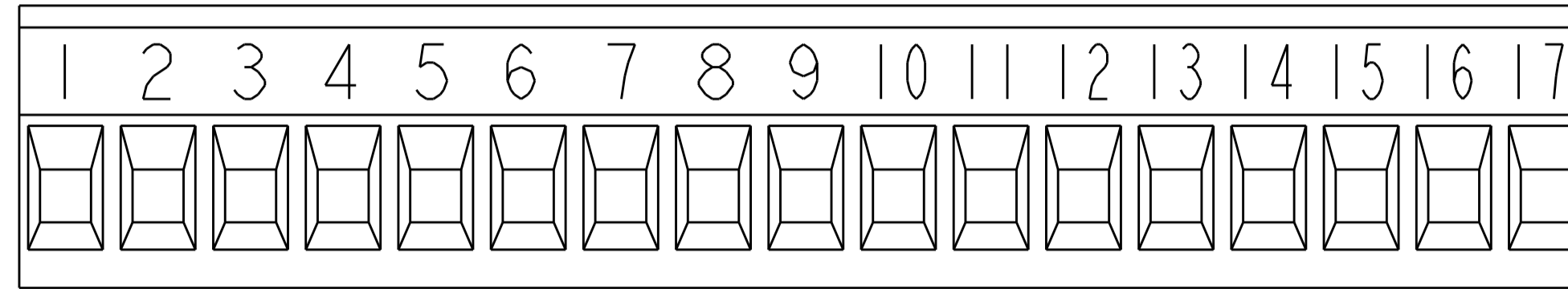


DETAIL Z

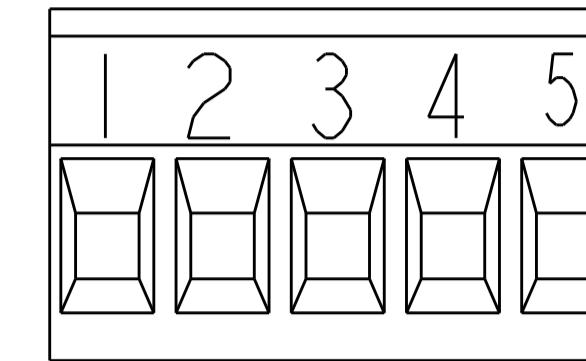
| | | | |
|--|--|---|--|
| THIS DRAWING IS A CONTROLLED DOCUMENT. | | DWN: S. WELDON 18OCT2000 CHK: D. BIEVENOUR 18OCT2000 APVD: D. BIEVENOUR 18OCT2000 PRODUCT SPEC: - APPLICATION SPEC: - WEIGHT: - CUSTOMER DRAWING: - | TE Connectivity NAME: TERMINAL BLOCK, PLUG, STACKING, 5.08mm PITCH SIZE: A100779 CAGE CODE: 796634 SCALE: 4:1 SHEET: 2 OF 3 |
| DIMENSIONS: mm MATERIAL: - FINISH: - | TOLERANCES UNLESS OTHERWISE SPECIFIED: 0 PLC ±0.3 1 PLC ±0.25 2 PLC ±0.25 3 PLC ±0.25 4 PLC ±0.25 ANGLES ±0.5° | RESTRICTED TO: - REVISION: 1 | |

THIS DRAWING IS UNPUBLISHED. RELEASED FOR PUBLICATION 20
 © COPYRIGHT 20 BY - ALL RIGHTS RESERVED.

| LOC | | DIST | | REVISIONS | | | |
|-----|---|------|-----|-------------|------|-----|------|
| FT | 0 | P | LTN | DESCRIPTION | DATE | DWN | APVD |
| - | - | - | - | SEE SHEET 1 | - | - | - |
| | | | | | | | |
| | | | | | | | |



DETAIL AB



DETAIL AC

| | | | | | | | |
|--|-------------------------|---|--|---|------------|-----------------|---------------------------|
| PRELIMINARY | NICKEL CLAMP PLATING | TIN CONTACT PLATING | $\nabla_7 \nabla_9$ MARKING | DETAIL AC SPECIAL | 25.40 L | 5 NO OF POSN | 8-796634-5 PART NUMBER |
| THIS DRAWING IS A CONTROLLED DOCUMENT. | | | DWN S. WELDON 18OCT2000 CHK D. BIEVENOUR 18OCT2000 APVD D. BIEVENOUR 18OCT2000 | TE Connectivity NAME: TERMINAL BLOCK, PLUG, STACKING, 5.08mm PITCH PRODUCT SPEC: - APPLICATION SPEC: - SIZE: A100779C=796634 CAGE CODE: 796634 DRAWING NO: 796634 RESTRICTED TO: - | | | |
| DIMENSIONS: mm | | TOLERANCES UNLESS OTHERWISE SPECIFIED: 0 PLC ± 1 PLC ±0.3 2 PLC ±0.25 3 PLC ± 4 PLC ± ANGLES ±2° FINISH: - | | MATERIAL: - WEIGHT: - CUSTOMER DRAWING | | | |
| | | | | SCALE 4:1 | | SHEET 3 OF 3 | |

Mouser Electronics

Authorized Distributor

Click to View Pricing, Inventory, Delivery & Lifecycle Information:

[TE Connectivity:](#)

[796634-6](#)