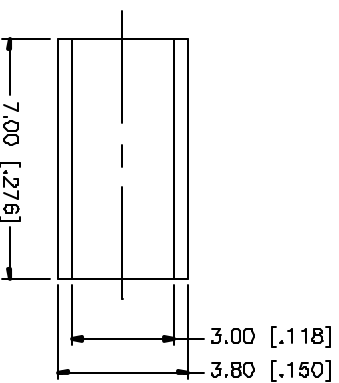
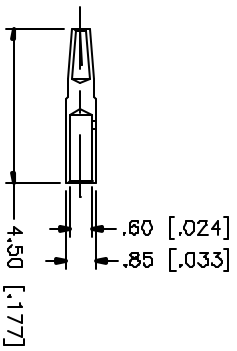
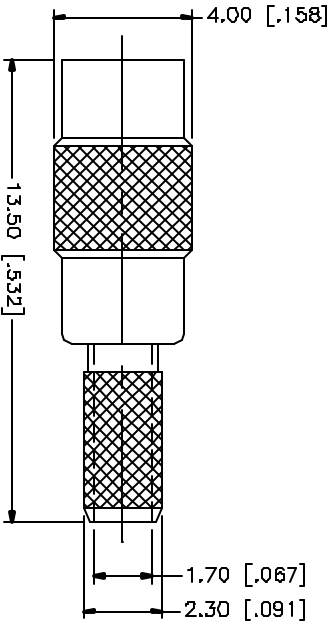
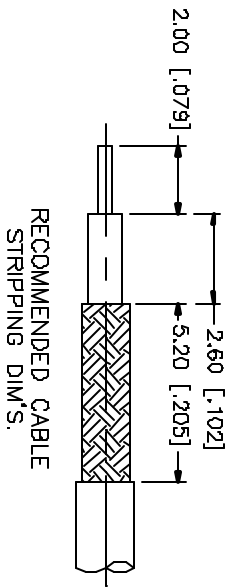


REV.	DATE	DESCRIPTION
NC	04/29/99	INITIAL RELEASE
A	05/01/04	UPDATE DRAWING FORMAT



- NOTE:
1. CRIMPED FERRULE
HEX. CRIMP SIZE .128"
 2. CONTACT PIN TO SOLDER.

REV.	DATE	DESCRIPTION	MATERIAL	FINISH	QTY
4					
7					
6					
5		FERRULE	COPPER	GOLD	1
4		BARREL	BRASS	GOLD	1
3		CONTACT PIN	BR. COPPER	GOLD	1
2		INSULATOR	TERLON	NATURAL	1
1		BODY	BRASS	GOLD	1
DESCRIPTION		MATERIAL FINISH QTY			

<p>UNLESS OTHERWISE SPECIFIED, DIMENSIONS ARE IN INCHES AND FOR DIMENSIONS IN MILLIMETERS, DIMENSIONS IN [] ARE IN MILLIMETERS AND FOR DIMENSIONS IN INCHES, DIMENSIONS IN [] ARE IN INCHES.</p> <p>UNLESS OTHERWISE SPECIFIED, DIMENSIONS ARE IN INCHES AND FOR DIMENSIONS IN MILLIMETERS, DIMENSIONS IN [] ARE IN MILLIMETERS AND FOR DIMENSIONS IN INCHES, DIMENSIONS IN [] ARE IN INCHES.</p> <p>UNLESS OTHERWISE SPECIFIED, DIMENSIONS ARE IN INCHES AND FOR DIMENSIONS IN MILLIMETERS, DIMENSIONS IN [] ARE IN MILLIMETERS AND FOR DIMENSIONS IN INCHES, DIMENSIONS IN [] ARE IN INCHES.</p> <p>UNLESS OTHERWISE SPECIFIED, DIMENSIONS ARE IN INCHES AND FOR DIMENSIONS IN MILLIMETERS, DIMENSIONS IN [] ARE IN MILLIMETERS AND FOR DIMENSIONS IN INCHES, DIMENSIONS IN [] ARE IN INCHES.</p>		
APPROVALS	DATE	
DRAWN G.R.S.	05/01/04	
CHECKED		
ISSUED		
SHEET 1 OF 1		
CAD FILE C:/262/262118.DWG		
DWG. NO. 262118.DWG		
REV. A	SIZE A	SCALE NA

<p>Amphenol Connex</p> <p>MMCX GRIMP JACK (FOR RG-174/U,188A/U,316/U)</p> <p>262118</p>	
--	--

Mouser Electronics

Authorized Distributor

Click to View Pricing, Inventory, Delivery & Lifecycle Information:

[Amphenol:](#)

[262118](#)