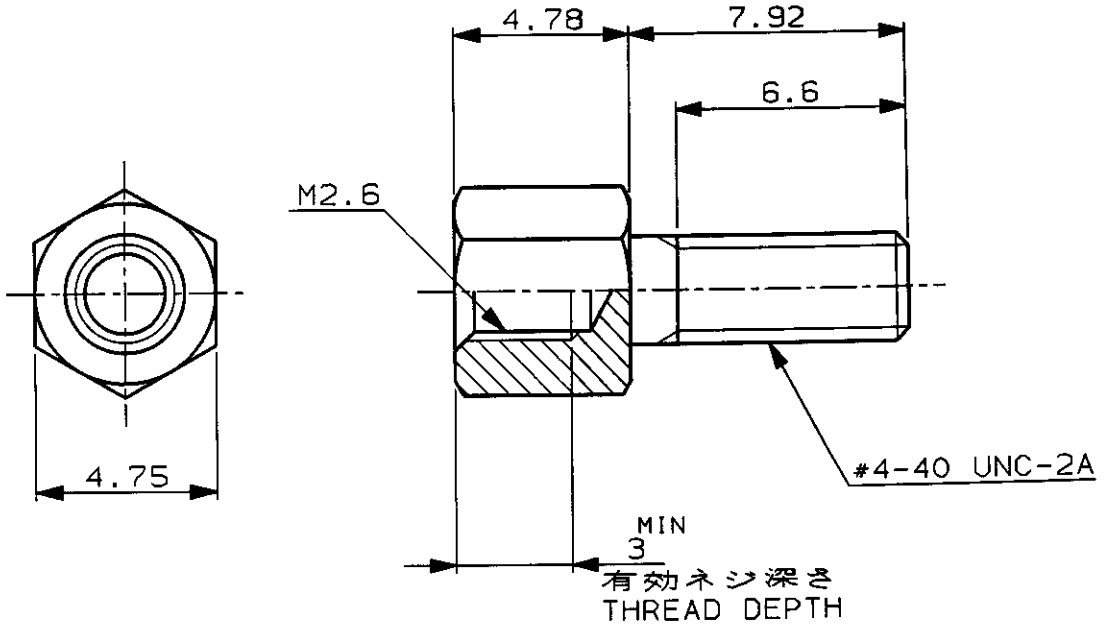


LOC		DIST		REVISIONS				
P	LTR	DESCRIPTION	ECN	DATE	DWN	APVD		
	0	RELEASED	FJ00-1651-99	28 Sep 99	T.K	J.M.		



THIS DRAWING IS UNPUBLISHED. BY AMP INCORPORATED. ALL RIGHTS RESERVED. COPYRIGHT 19

-1 : AS SHOWN

DIMENSIONS: 単位 概 mm	DWN T. KAWAMAE 28/SEP/99	WIRE RANGE 包含電線断面積	INSULATION DIA 被覆外径
	CHK H. Muramatsu 28 Sep 99	MATERIAL 材料 CARBON STEEL	FINISH 仕上 Ni PL. OVER Cu PL.
TOLERANCES UNLESS OTHERWISE SPECIFIED: 一般公差 10 μm : ±0.2 30 μm : ±0.25 100 μm : ±0.3 ANGLE : ±3°	APVD H. Muramatsu 28 Sep 99	AMP 日 本 エ ー ム ー 有 限 公 司 Kawasaki, Japan	
	PRODUCT SPEC 製品規格 (108-5288)	NAME 名称 SCREWLOCK FEMALE	
	APPLICATION SPEC 取付適用規格	SIZE A4	CAGE CODE 00779
	WEIGHT	DRAWING NO C-174327	
CUSTOMER DRAWING		SCALE 尺 度 4:1	SHEET 1 OF 1
		REV 0	

Mouser Electronics

Authorized Distributor

Click to View Pricing, Inventory, Delivery & Lifecycle Information:

[TE Connectivity:](#)

[174327-1](#)