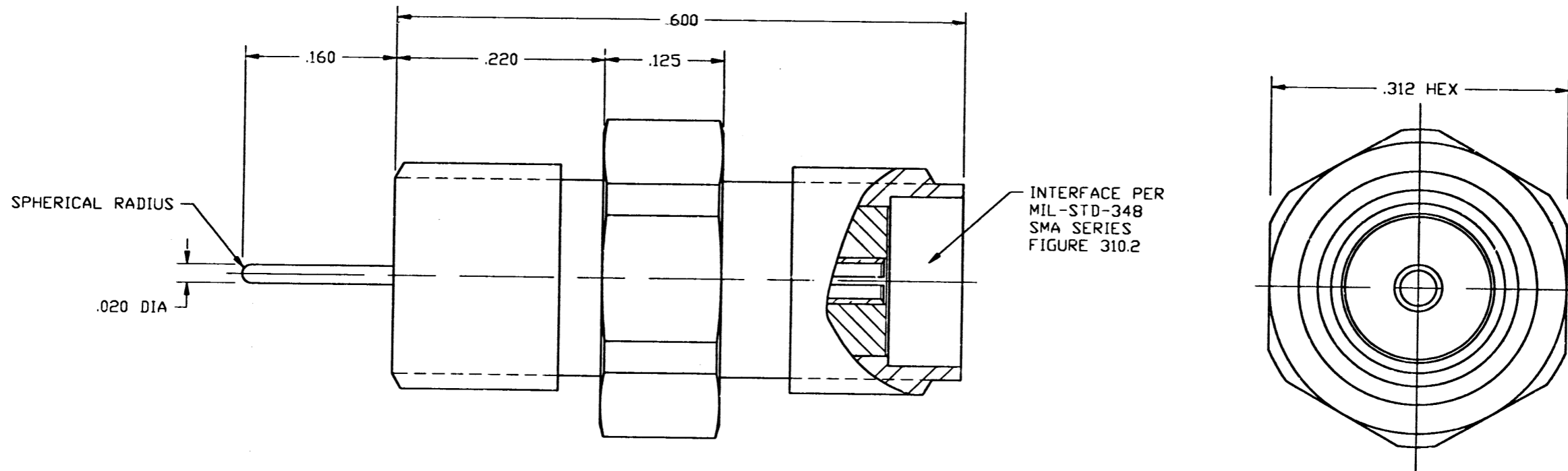


NOTES:

- DO NOT SCALE THIS DRAWING.
- PLATING MUST CONFORM TO AMPHENOL SPEC 349-50560. CONTACT IS GOLD PLATED, BODY IS PASSIVATED.

901-9909		REVISIONS			
DRAWING NO.	REV	DESCRIPTION	DATE	ECO	APPR.
THIRD ANGLE PROJ.	A	OFFICIAL ENG. RELEASE TO MFG.	9-12-95	40948	PB/RV
	B	.125 WAS .100	9-21-95	40967	PB <i>RV</i>
	C	SEE SHEET ONE	11-2-95	41009	CPM <i>RV</i>



CUSTOMER DRAWING

UNLESS OTHERWISE SPECIFIED, DIMENSIONS ARE IN INCHES AND TOLERANCES ARE: 2 PLACE DECIMAL 3 PLACE DECIMAL ANGLES ±.015 (0.381 mm) ±.005 (0.127 mm) ± 1°			MATERIAL		DRAWN		TITLE		Amphenol Amphenol Corporation RF/Microwave Operations Danbury, Conn. U.S.A. 06810 SCALE: 8:1 SHEET 2 OF 2	
NOTICE - These drawings, specifications, or other data (1) are, and remain the property of Amphenol Corp. (2) must be returned upon request; and (3) are confidential and not to be disclosed to any person other than those to whom they are given by Amphenol Corp. The furnishing of these drawings, specifications, or other data by Amphenol Corp., or to any other person to anyone for any purpose is not to be regarded by implication or otherwise in any manner licensing, granting rights or permitting such holder or any other person to manufacture, use or sell any product, process or design, patented or otherwise, that may in any way be related to or disclosed by said drawings, specifications, or other data.			REFERENCE		ENGINEER		SMA RECEPTACLE FRONT MOUNT			
			EAR 111-964936 3 WATKINS-JOHNSON 444325SK-001 615X-1401-100		DATE 9-7-95 DATE APPROVED R. VACCARD DATE 9-11-95		CODE ID 74868 DWG SIZE B DRAWING NO. 901-9909			
			CAD FILE H:\PETE\SMA\901\ASSY\99090001		ISSUE C					