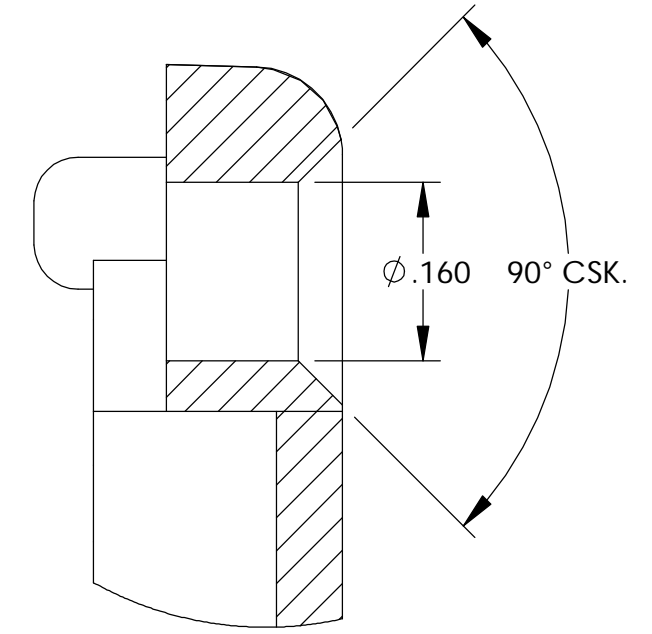
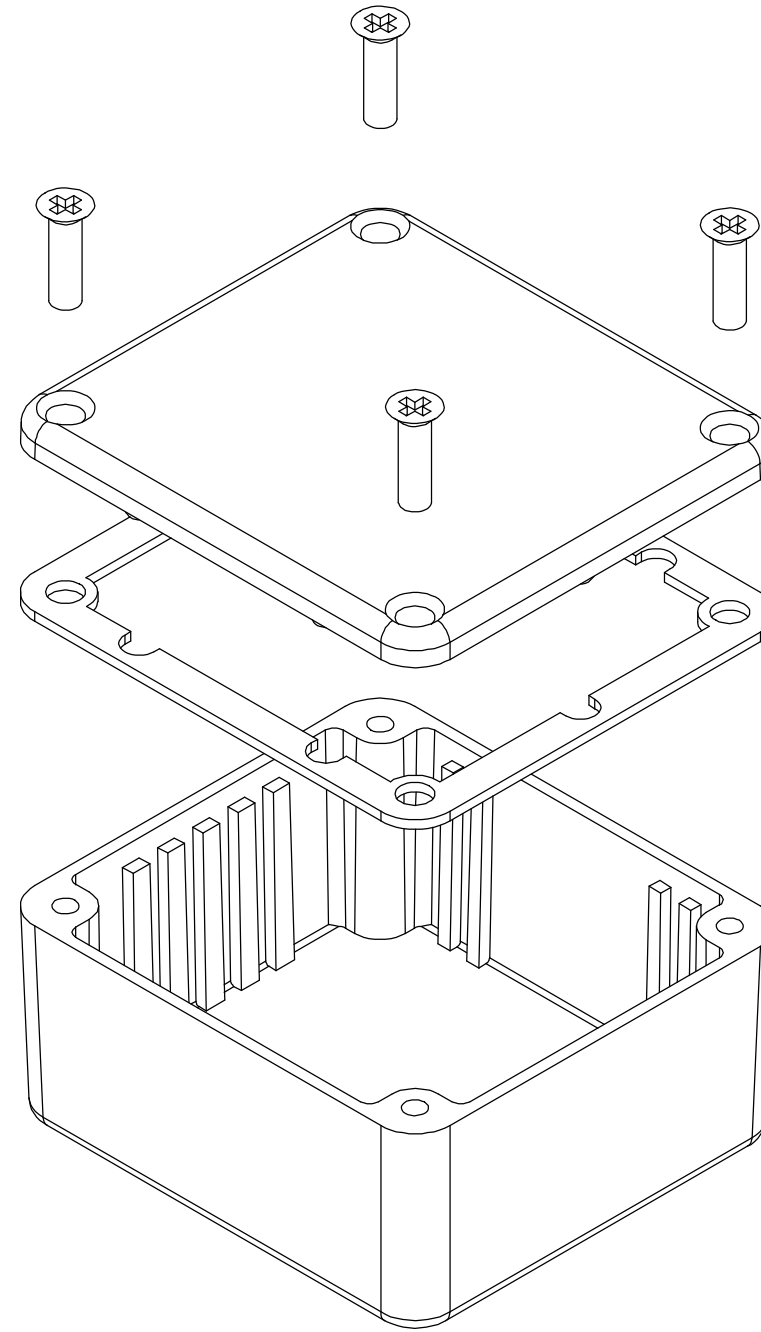


THE INFORMATION CONTAINED IN THIS DRAWING IS THE SOLE PROPERTY OF BUD INDUSTRIES INC. ANY REPRODUCTION IN PART OR WHOLE WITHOUT THE WRITTEN PERMISSION OF BUD INDUSTRIES INC. IS PROHIBITED.

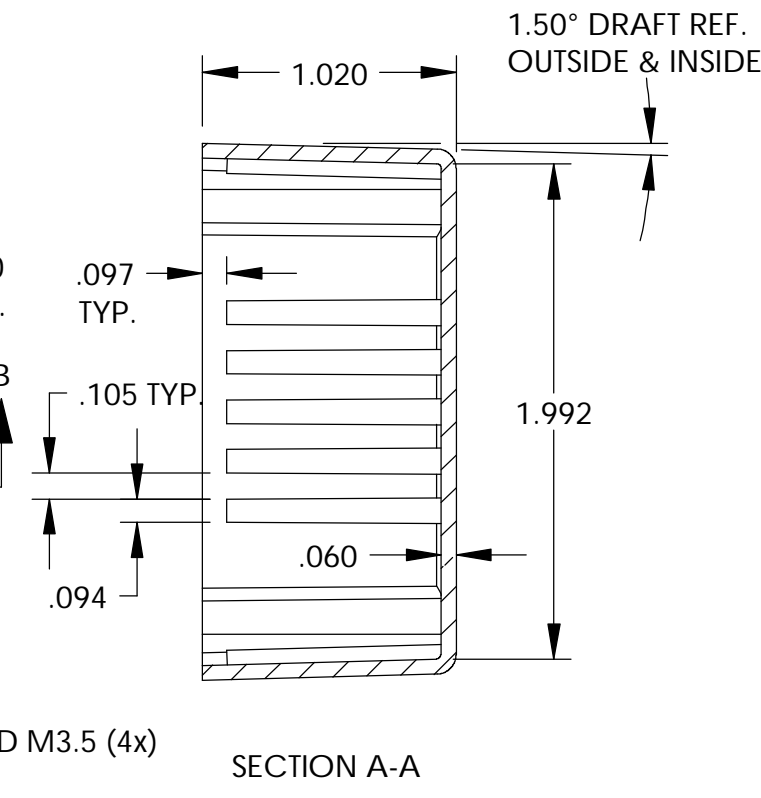
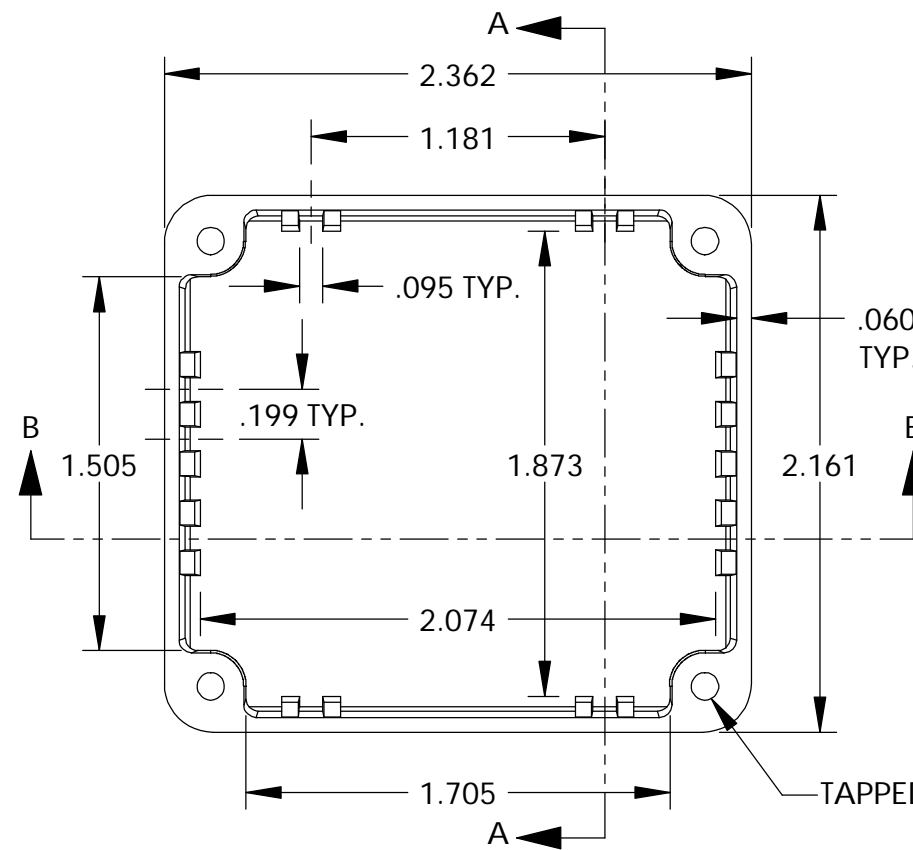
DWG. NO. CN-5700
 ISSUE REVISIONS

MATERIAL - ALUMINUM ALLOY #ADC-12
 FINISH - NATURAL (CONTACT BUD FACTORY FOR ALTERNATE FINISHES)
 GASKET - RATED IP65 NEOPRENE, SELF-ADHESIVE, 3mm THICK, COLOR BLACK
 SCREWS - STAINLESS STEEL, M3.5 x 12mm LG., CSK. HEAD, SELF-THREADING

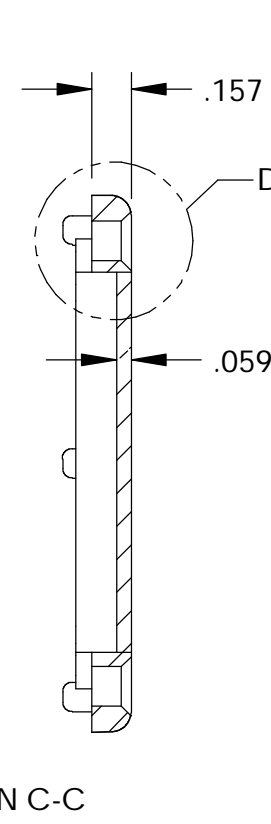
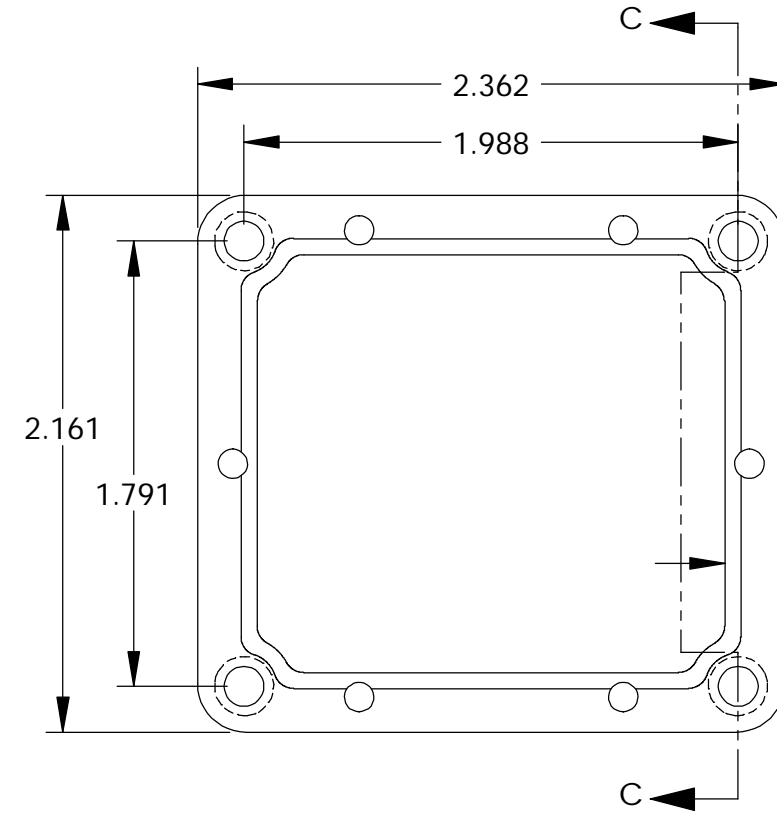
ALL HOLE DIAMETERS HAVE ±.005 TOLERANCE.
 ALL OTHER DIMENSIONS HAVE ±.015 TOLERANCE.
 ENCLOSURES ARE SHIPPED UNASSEMBLED WITH ALL ITEMS SHOWN.



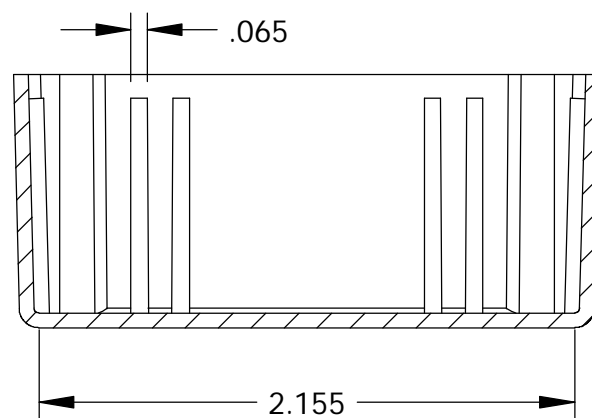
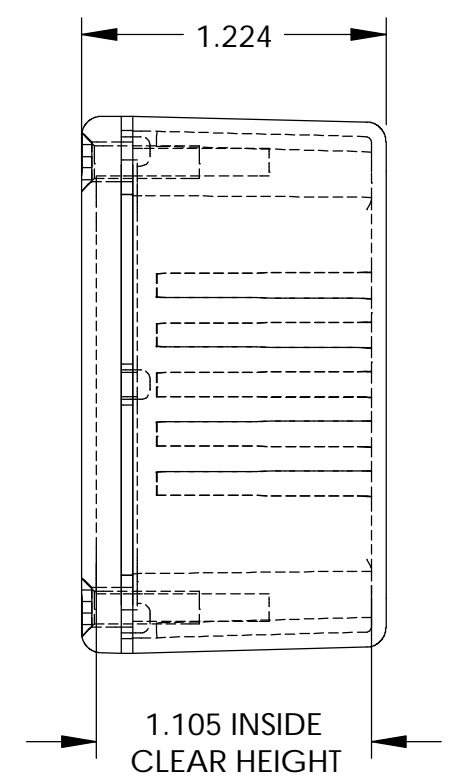
DETAIL D
 SCALE 6 : 1



BODY



COVER



SECTION B-B

PARTS LIST			
±.005 BETWEEN HOLE CENTERS	CAD GENERATED DRAWING. DO NOT MANUALLY UPDATE	BUD INDUSTRIES INC.	
±.015 FROM SHEARED EDGE		DIE CAST ALUMINUM ENCLOSURE	
±.032 FROM A BENT SURFACE	APPROVALS DATE		
±.062 BETWEEN ASSEMBLED SURFACES	DRAWN: DAB 3-31-06		
UNLESS OTHERWISE SPECIFIED	CHECKED:		
MATERIAL	APPROVED:		
AS NOTED			
AS NOTED			
QTY.	USED ON	DO NOT SCALE DRAWING	SCALE

DWG. NO. CN-5700
 SHEET 1 OF 1

Mouser Electronics

Authorized Distributor

Click to View Pricing, Inventory, Delivery & Lifecycle Information:

[Bud Industries:](#)

[CN-5700](#)