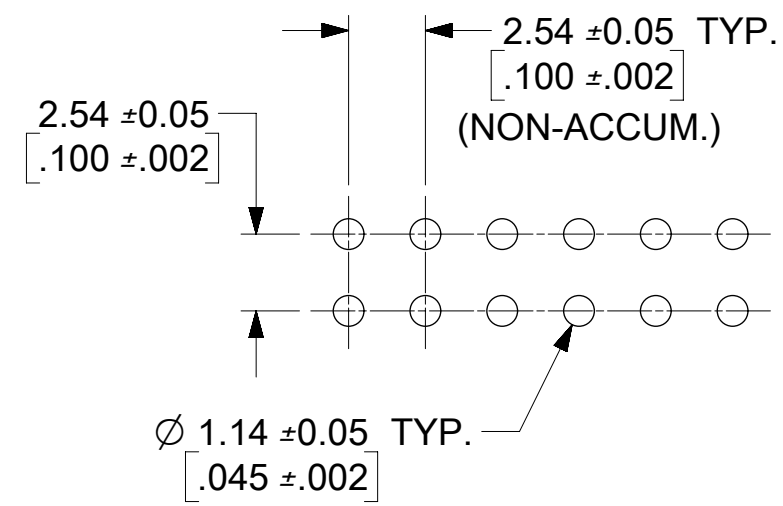
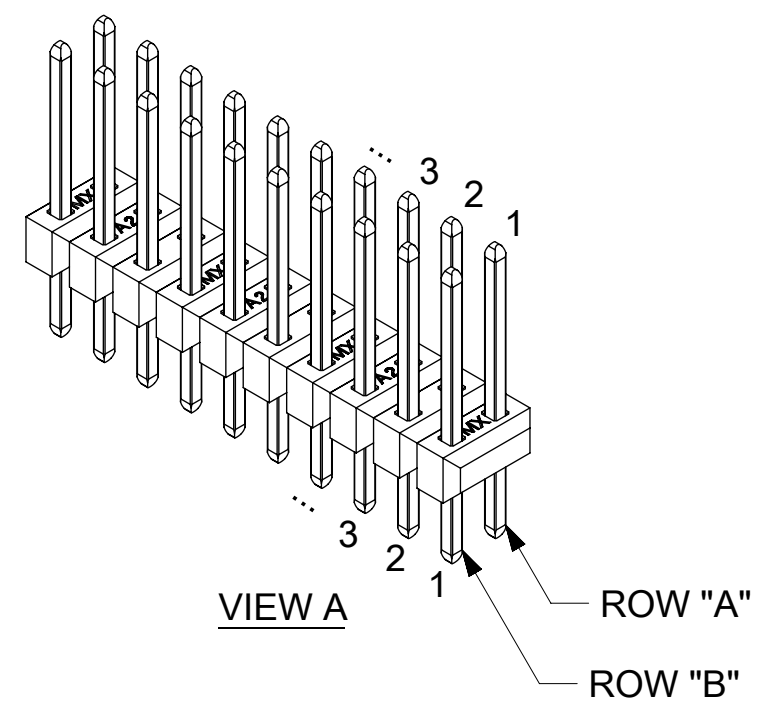
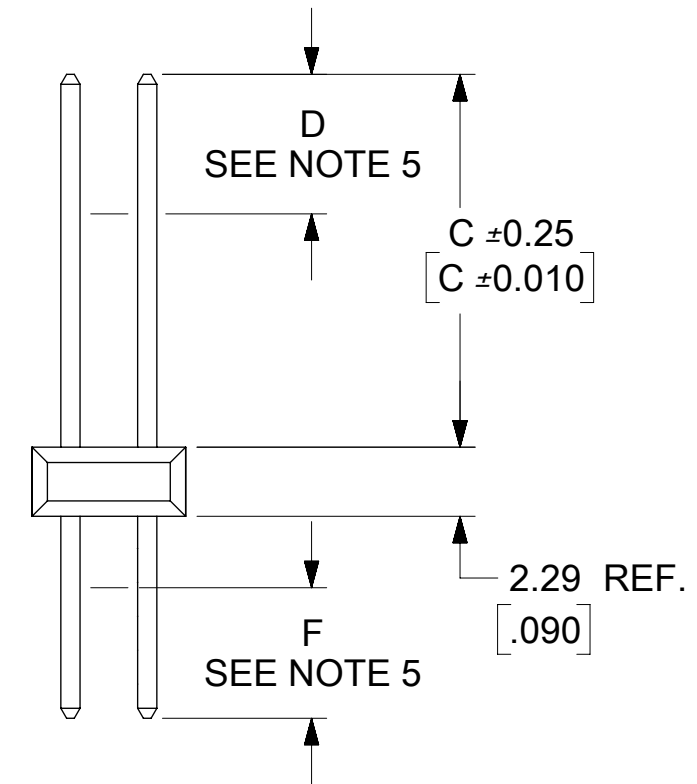
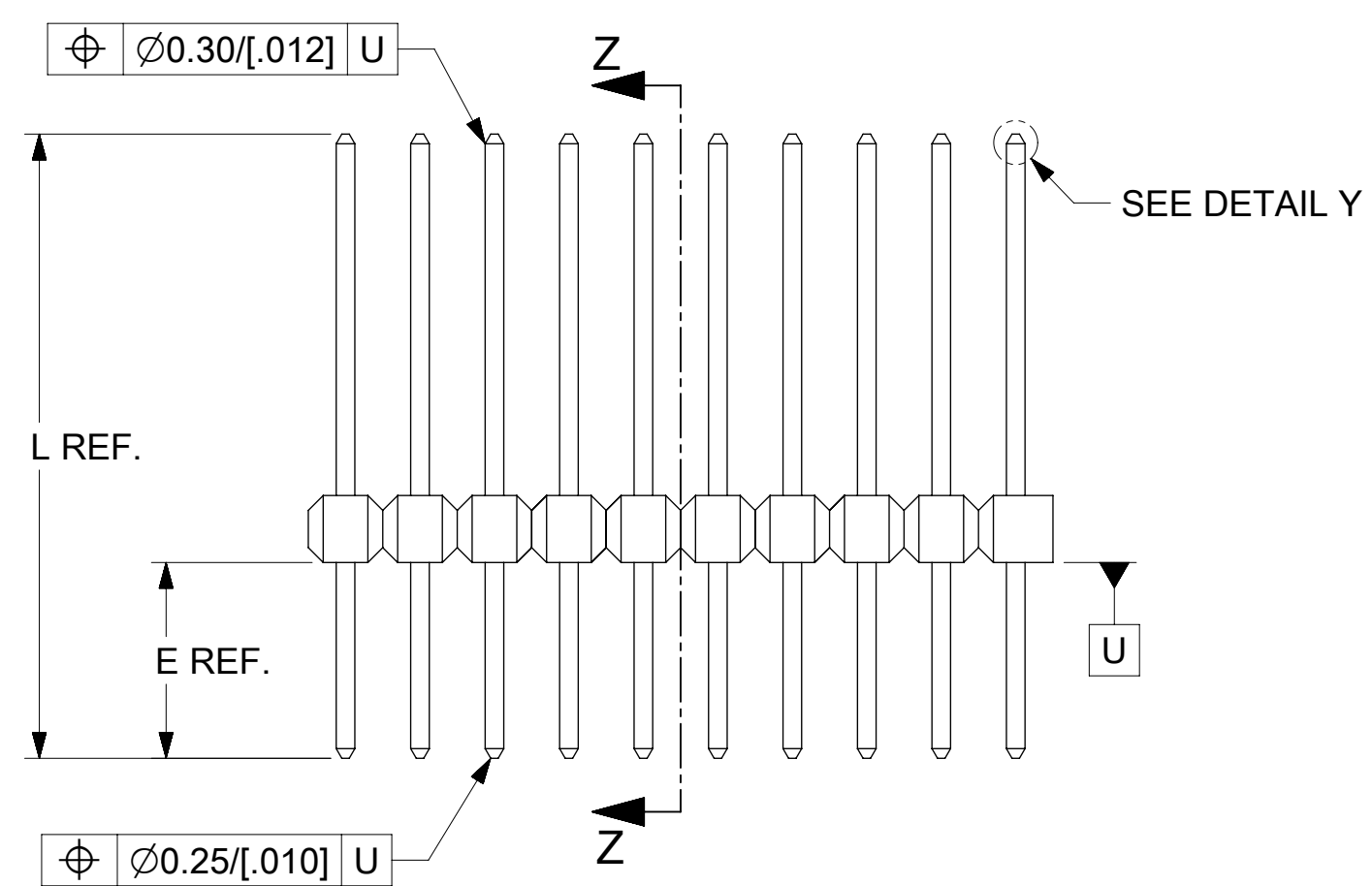


SECTION Z-Z - RETENTION PIN DETAIL
2 CONTACTS LOCATED ON CENTER OF SAME ROW
(SEE NOTE 6)



- NOTES:**
- MATERIAL: WAFER - GLASS FILLED LIQUID CRYSTAL POLYMER, UL94V-0, COLOR: BLACK
PIN - COPPER ALLOY
 - FINISH: (TIN) OVERALL TIN: 0.00381/[0.000150] MIN.,
OVERALL NICKEL UNDERPLATE: 0.00127/[0.000050] MIN.
(15 GOLD) SELECT GOLD: 0.00038/[0.000015] MIN.,
SELECT TIN: 0.00191/[0.000075] MIN.,
OVERALL NICKEL UNDERPLATE: 0.00127/[0.000050] MIN.
(30 GOLD) SELECT GOLD: 0.00076/[0.000030] MIN.,
SELECT TIN: 0.00191/[0.000075] MIN.,
OVERALL NICKEL UNDERPLATE: 0.00127/[0.000050] MIN.
 - PRODUCT SPECIFICATION: PS-70280
 - PACKAGING INFORMATION: (UNLESS OTHERWISE NOTED IN TABLES)
PARTS TO BE PACKAGED PER PK-70873-0353.
 - MEASURE POINT FOR PLATING THICKNESS. DIMENSION D IS ALSO THE MEASURE POINT FOR PIN WIDTH.
 - RETENTIVE TAIL LOCATIONS (SEE VIEW "A")

PARTS LISTED ON THIS DRAWING REPLACES PARTS LISTED ON DRAWING SDA-70287-0001-5000 WHICH WILL BECOME OBSOLETE.

NUMBER OF CIRCUITS IN ROW B	RETENTIVE TAIL LOCATIONS
EVEN NUMBER	2 PINS IN THE MIDDLE OF ROW B
ODD NUMBER	PIN IN THE CENTER OF ROW B AND ONE OTHER PIN IN ROW B ON EITHER SIDE OF THE CENTER PIN

- PIN PUSHOUT FORCE: 3 LBS. MIN. (IN EITHER DIRECTION)
- FOR ILLUSTRATION PURPOSES, 20 (DUAL 10) CIRCUIT SIZE IS SHOWN.
- PINS MUST MEET SOLDERABILITY SPEC. SMES-152, EXCEPT VOIDS ARE PERMISSIBLE AT BANDOLIER PIN FAYING SURFACE. (APPROXIMATELY 0.64/[0.025] LNG X 0.15/[0.006] WIDE AT 2 LOCATIONS)
- PARTS CONFORM TO CLASS B REQUIREMENTS OF COSMETIC SPECIFICATION PS-45499-002.

CKT. SIZE	DIM. A REF.		DIM. B REF.	
	MM	INCH	MM	INCH
4	5.08	.200	2.54	.100
6	7.62	.300	5.08	.200
8	10.16	.400	7.62	.300
10	12.70	.500	10.16	.400
12	15.24	.600	12.70	.500
14	17.78	.700	15.24	.600
16	20.32	.800	17.78	.700
18	22.86	.900	20.32	.800
20	25.40	1.000	22.86	.900
22	27.94	1.100	25.40	1.000
24	30.48	1.200	27.94	1.100
26	33.02	1.300	30.48	1.200
28	35.56	1.400	33.02	1.300
30	38.10	1.500	35.56	1.400
32	40.64	1.600	38.10	1.500
34	43.18	1.700	40.64	1.600
36	45.72	1.800	43.18	1.700
38	48.26	1.900	45.72	1.800
40	50.80	2.000	48.26	1.900
42	53.34	2.100	50.80	2.000
44	55.88	2.200	53.34	2.100
46	58.42	2.300	55.88	2.200
48	60.96	2.400	58.42	2.300
50	63.50	2.500	60.96	2.400
52	66.04	2.600	63.50	2.500
54	68.58	2.700	66.04	2.600
56	71.12	2.800	68.58	2.700
58	73.66	2.900	71.12	2.800
60	76.20	3.000	73.66	2.900
62	78.74	3.100	76.20	3.000
64	81.28	3.200	78.74	3.100
66	83.82	3.300	81.28	3.200
68	86.36	3.400	83.82	3.300
70	88.90	3.500	86.36	3.400
72	91.44	3.600	88.90	3.500
74	93.98	3.700	91.44	3.600
76	96.52	3.800	93.98	3.700
78	99.06	3.900	96.52	3.800
80	101.06	4.000	99.06	3.900
82	104.14	4.100	101.06	4.000
84	106.68	4.200	104.14	4.100
86	109.22	4.300	106.68	4.200
88	111.76	4.400	109.22	4.300
90	114.30	4.500	111.76	4.400
92	116.84	4.600	114.30	4.500
94	119.38	4.700	116.84	4.600
96	121.92	4.800	119.38	4.700
98	124.46	4.900	121.92	4.800
100	127.00	5.000	124.46	4.900

THIS DRAWING CONTAINS INFORMATION THAT IS PROPRIETARY TO MOLEX ELECTRONIC TECHNOLOGIES, LLC AND SHOULD NOT BE USED WITHOUT WRITTEN PERMISSION

DIMENSION UNITS: MM/INCH	SCALE: NTS	CURRENT REV/DESC: MIGRATED TO NX	molex
GENERAL TOLERANCES (UNLESS SPECIFIED)		EC NO: 614461	
4 PLACES: ±	±	DRWN: ABABU01 2019/03/12	SALES ASSY-HIGH TEMP. DUAL ROW, .025" SQ PINS .100" GRID W/ RET. PINS
3 PLACES: ±	± 0.005	CHK'D: NMANE02 2019/03/26	PRODUCT CUSTOMER DRAWING
2 PLACES: ±	± 0.01	APPR: MRAMAKRISHNA 2019/03/26	
1 PLACE: ±	±	INITIAL REVISION:	DOCUMENT NUMBER
0 PLACES: ±	±	DRWN: ADERR 2006/09/01	SD-70287-003
ANGULAR TOL: ± 0.5°		APPR: FSMITH 2006/09/05	DOC TYPE: PSD
DRAFT WHERE APPLICABLE MUST REMAIN WITHIN DIMENSIONS	THIRD ANGLE PROJECTION	DRAWING: C-SIZE	DOC PART: 001
		SERIES: 70287	REVISION: B2
			MATERIAL NUMBER: SEE CHART
			CUSTOMER: GENERAL MARKET
			SHEET NUMBER: 1 OF 2

ENG. NO: A-70287-1049 / 1097			
DIM. C		8.13/[.320]	
DIM. E (REF.)		3.18/[.125]	
DIM. L (REF.)		13.59/[.535]	
MATING SIDE PLATING		TIN	
DIM. D (MEASURE PT.)		4.57/[.180]	
P.C. BOARD SIDE PLATING		TIN	
DIM. F (MEASURE PT.)		1.27/[.050]	
RETENTIVE PIN LOCATION		SEE NOTE 6, SHEET 1	
PACKAGING		BULK - PK-70873-0353	
CKTS	MATERIAL NUMBER	CKTS	MATERIAL NUMBER
04	70287-1049	54	70287-1074
06	70287-1050	56	70287-1075
08	70287-1051	58	70287-1076
10	70287-1052	60	70287-1077
12	70287-1053	62	70287-1078
14	70287-1054	64	70287-1079
16	70287-1055	66	70287-1080
18	70287-1056	68	70287-1081
20	70287-1057	70	70287-1082
22	70287-1058	72	70287-1083
24	70287-1059	74	70287-1084
26	70287-1060	76	70287-1085
28	70287-1061	78	70287-1086
30	70287-1062	80	70287-1087
32	70287-1063	82	70287-1088
34	70287-1064	84	70287-1089
36	70287-1065	86	70287-1090
38	70287-1066	88	70287-1091
40	70287-1067	90	70287-1092
42	70287-1068	92	70287-1093
44	70287-1069	94	70287-1094
46	70287-1070	96	70287-1095
48	70287-1071	98	70287-1096
50	70287-1072	100	70287-1097
52	70287-1073		

ENG. NO: A-70287-1147 / 1195			
DIM. C		8.13/[.320]	
DIM. E (REF.)		3.18/[.125]	
DIM. L (REF.)		13.59/[.535]	
MATING SIDE PLATING		15 GOLD	
DIM. D (MEASURE PT.)		4.57/[.180]	
P.C. BOARD SIDE PLATING		TIN	
DIM. F (MEASURE PT.)		1.27/[.050]	
RETENTIVE PIN LOCATION		SEE NOTE 6, SHEET 1	
PACKAGING		BULK - PK-70873-0353	
CKTS	MATERIAL NUMBER	CKTS	MATERIAL NUMBER
04	70287-1147	54	70287-1172
06	70287-1148	56	70287-1173
08	70287-1149	58	70287-1174
10	70287-1150	60	70287-1175
12	70287-1151	62	70287-1176
14	70287-1152	64	70287-1177
16	70287-1153	66	70287-1178
18	70287-1154	68	70287-1179
20	70287-1155	70	70287-1180
22	70287-1156	72	70287-1181
24	70287-1157	74	70287-1182
26	70287-1158	76	70287-1183
28	70287-1159	78	70287-1184
30	70287-1160	80	70287-1185
32	70287-1161	82	70287-1186
34	70287-1162	84	70287-1187
36	70287-1163	86	70287-1188
38	70287-1164	88	70287-1189
40	70287-1165	90	70287-1190
42	70287-1166	92	70287-1191
44	70287-1167	94	70287-1192
46	70287-1168	96	70287-1193
48	70287-1169	98	70287-1194
50	70287-1170	100	70287-1195
52	70287-1171		

ENG. NO: A-70287-1245 / 1293			
DIM. C		8.13/[.320]	
DIM. E (REF.)		3.18/[.125]	
DIM. L (REF.)		13.59/[.535]	
MATING SIDE PLATING		30 GOLD	
DIM. D (MEASURE PT.)		4.57/[.180]	
P.C. BOARD SIDE PLATING		TIN	
DIM. F (MEASURE PT.)		1.27/[.050]	
RETENTIVE PIN LOCATION		SEE NOTE 6, SHEET 1	
PACKAGING		BULK - PK-70873-0353	
CKTS	MATERIAL NUMBER	CKTS	MATERIAL NUMBER
04	70287-1245	54	70287-1270
06	70287-1246	56	70287-1271
08	70287-1247	58	70287-1272
10	70287-1248	60	70287-1273
12	70287-1249	62	70287-1274
14	70287-1250	64	70287-1275
16	70287-1251	66	70287-1276
18	70287-1252	68	70287-1277
20	70287-1253	70	70287-1278
22	70287-1254	72	70287-1279
24	70287-1255	74	70287-1280
26	70287-1256	76	70287-1281
28	70287-1257	78	70287-1282
30	70287-1258	80	70287-1283
32	70287-1259	82	70287-1284
34	70287-1260	84	70287-1285
36	70287-1261	86	70287-1286
38	70287-1262	88	70287-1287
40	70287-1263	90	70287-1288
42	70287-1264	92	70287-1289
44	70287-1265	94	70287-1290
46	70287-1266	96	70287-1291
48	70287-1267	98	70287-1292
50	70287-1268	100	70287-1293
52	70287-1269		

THIS DRAWING CONTAINS INFORMATION THAT IS PROPRIETARY TO MOLEX ELECTRONIC TECHNOLOGIES, LLC AND SHOULD NOT BE USED WITHOUT WRITTEN PERMISSION											
DIMENSION UNITS		SCALE		CURRENT REV / DESC: MIGRATED TO NX				molex		SALES ASSY-HIGH TEMP. DUAL ROW, .025" SQ PINS .100" GRID W/ RET. PINS	
MM/INCH		NTS									
GENERAL TOLERANCES (UNLESS SPECIFIED)											
4 PLACES		±		±		EC NO: 614461					
3 PLACES		±		±	0.005	DRWN: ABABU01 2019/03/12					
2 PLACES		±	0.13	±	0.01	CHK'D: NMANE02 2019/03/26					
1 PLACE		±	0.25	±		APPR: MRAMAKRISHNA 2019/03/26					
0 PLACES		±		±		INITIAL REVISION:					
ANGULAR TOL		±	0.5 °			DRWN: ADERR 2006/09/01		DOCUMENT NUMBER			
						APPR: FSMITH 2006/09/05		SD-70287-003			
DRAFT WHERE APPLICABLE MUST REMAIN WITHIN DIMENSIONS		THIRD ANGLE PROJECTION		DRAWING		SERIES		MATERIAL NUMBER			
				C-SIZE		70287		SEE CHART			
								CUSTOMER			
								GENERAL MARKET			
								SHEET NUMBER			
								2 OF 2			

DOCUMENT STATUS	P1	RELEASE DATE	2019/03/26 12:56:09
-----------------	----	--------------	---------------------

ENG. NO: A-70287-1049 / 1097			
DIM. C		(8.13) / .320	
DIM. E (REF.)		(3.18) / .125	
DIM. L (REF.)		(13.59) / .535	
MATING SIDE PLATING		TIN	
DIM. D (MEASURE PT.)		(4.57) / .180	
P.C. BOARD SIDE PLATING		TIN	
DIM. F (MEASURE PT.)		(1.27) / .050	
RETENTIVE PIN LOCATION		SEE NOTE 6, SHEET 1	
PACKAGING		BULK - PK-70873-0353	
CKTS	MATERIAL NUMBER	CKTS	MATERIAL NUMBER
04	70287-1049	54	70287-1074
06	70287-1050	56	70287-1075
08	70287-1051	58	70287-1076
10	70287-1052	60	70287-1077
12	70287-1053	62	70287-1078
14	70287-1054	64	70287-1079
16	70287-1055	66	70287-1080
18	70287-1056	68	70287-1081
20	70287-1057	70	70287-1082
22	70287-1058	72	70287-1083
24	70287-1059	74	70287-1084
26	70287-1060	76	70287-1085
28	70287-1061	78	70287-1086
30	70287-1062	80	70287-1087
32	70287-1063	82	70287-1088
34	70287-1064	84	70287-1089
36	70287-1065	86	70287-1090
38	70287-1066	88	70287-1091
40	70287-1067	90	70287-1092
42	70287-1068	92	70287-1093
44	70287-1069	94	70287-1094
46	70287-1070	96	70287-1095
48	70287-1071	98	70287-1096
50	70287-1072	100	70287-1097
52	70287-1073		

ENG. NO: A-70287-1147 / 1195			
DIM. C		(8.13) / .320	
DIM. E (REF.)		(3.18) / .125	
DIM. L (REF.)		(13.59) / .535	
MATING SIDE PLATING		15 GOLD	
DIM. D (MEASURE PT.)		(4.57) / .180	
P.C. BOARD SIDE PLATING		TIN	
DIM. F (MEASURE PT.)		(1.27) / .050	
RETENTIVE PIN LOCATION		SEE NOTE 6, SHEET 1	
PACKAGING		BULK - PK-70873-0353	
CKTS	MATERIAL NUMBER	CKTS	MATERIAL NUMBER
04	70287-1147	54	70287-1172
06	70287-1148	56	70287-1173
08	70287-1149	58	70287-1174
10	70287-1150	60	70287-1175
12	70287-1151	62	70287-1176
14	70287-1152	64	70287-1177
16	70287-1153	66	70287-1178
18	70287-1154	68	70287-1179
20	70287-1155	70	70287-1180
22	70287-1156	72	70287-1181
24	70287-1157	74	70287-1182
26	70287-1158	76	70287-1183
28	70287-1159	78	70287-1184
30	70287-1160	80	70287-1185
32	70287-1161	82	70287-1186
34	70287-1162	84	70287-1187
36	70287-1163	86	70287-1188
38	70287-1164	88	70287-1189
40	70287-1165	90	70287-1190
42	70287-1166	92	70287-1191
44	70287-1167	94	70287-1192
46	70287-1168	96	70287-1193
48	70287-1169	98	70287-1194
50	70287-1170	100	70287-1195
52	70287-1171		

B1	REV: <u>ECR/ECN INFORMATION</u>	TITLE: SALES ASS'Y – HIGH TEMP. DUAL ROW, .025" SQ PINS .100" GRID W/ RET. PINS	SHEET No. - 2 -
	EC No: UCP2010-0011		
	DATE: 3/2/2010		
<u>DOCUMENT NUMBER:</u> SD-70287-003	<u>CREATED / REVISED BY:</u> MKIPPER	<u>CHECKED BY:</u> JBELL	<u>APPROVED BY:</u> FSMITH

ENG. NO: A-70287-1245 / 1293

DIM. C		(8.13) / .320	
DIM. E (REF.)		(3.18) / .125	
DIM. L (REF.)		(13.59) / .535	
MATING SIDE PLATING		30 GOLD	
DIM. D (MEASURE PT.)		(4.57) / .180	
P.C. BOARD SIDE PLATING		TIN	
DIM. F (MEASURE PT.)		(1.27) / .050	
RETENTIVE PIN LOCATION		SEE NOTE 6, SHEET 1	
PACKAGING		BULK - PK-70873-0353	
CKTS	MATERIAL NUMBER	CKTS	MATERIAL NUMBER
04	70287-1245	54	70287-1270
06	70287-1246	56	70287-1271
08	70287-1247	58	70287-1272
10	70287-1248	60	70287-1273
12	70287-1249	62	70287-1274
14	70287-1250	64	70287-1275
16	70287-1251	66	70287-1276
18	70287-1252	68	70287-1277
20	70287-1253	70	70287-1278
22	70287-1254	72	70287-1279
24	70287-1255	74	70287-1280
26	70287-1256	76	70287-1281
28	70287-1257	78	70287-1282
30	70287-1258	80	70287-1283
32	70287-1259	82	70287-1284
34	70287-1260	84	70287-1285
36	70287-1261	86	70287-1286
38	70287-1262	88	70287-1287
40	70287-1263	90	70287-1288
42	70287-1264	92	70287-1289
44	70287-1265	94	70287-1290
46	70287-1266	96	70287-1291
48	70287-1267	98	70287-1292
50	70287-1268	100	70287-1293
52	70287-1269		

B1	REV: ECR/ECN INFORMATION	TITLE: SALES ASS'Y – HIGH TEMP. DUAL ROW, .025" SQ PINS .100" GRID W/ RET. PINS	SHEET No. - 3 -
	EC No: UCP2010-0011		
	DATE: 3/2/2010		
DOCUMENT NUMBER: SD-70287-003	CREATED / REVISED BY: MKIPPER	CHECKED BY: JBELL	APPROVED BY: FSMITH