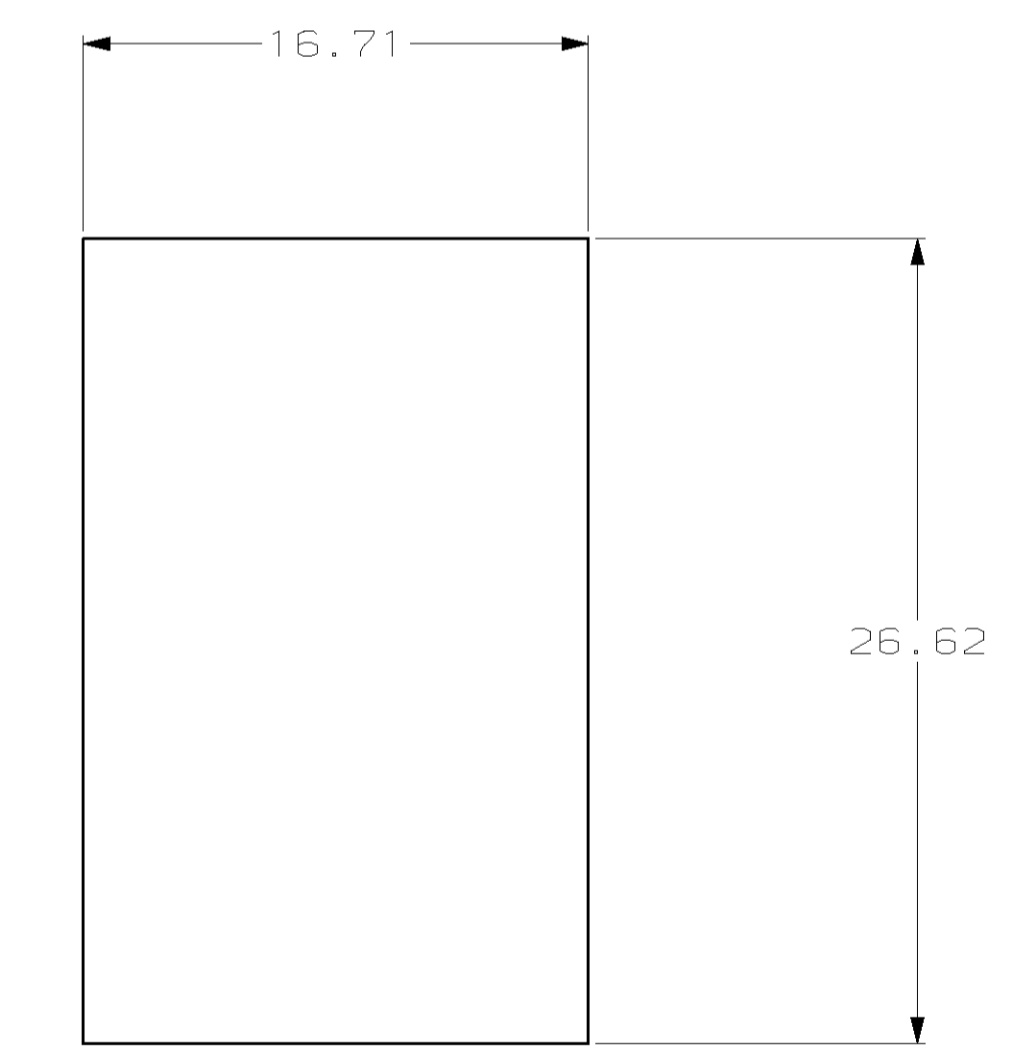
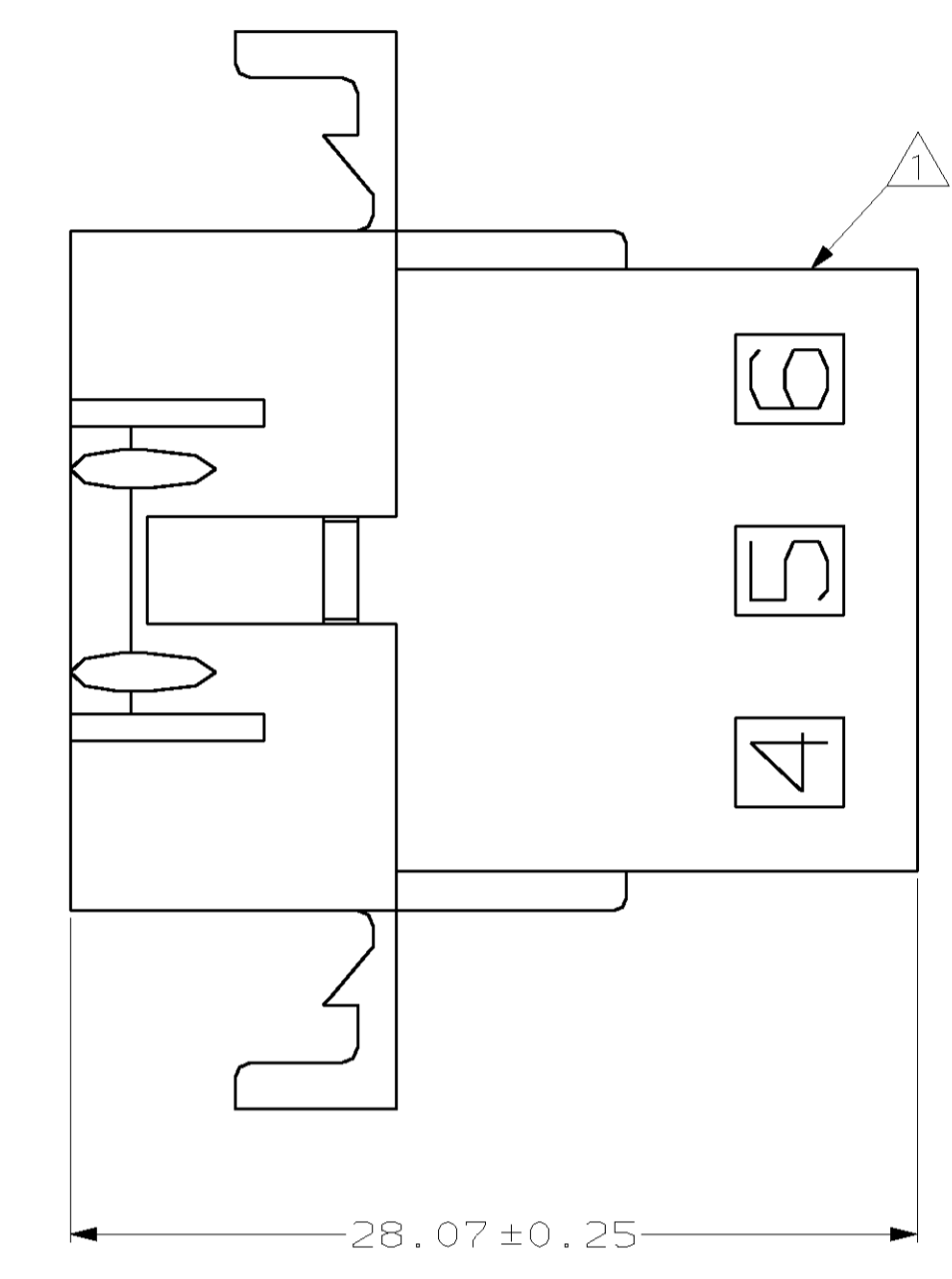
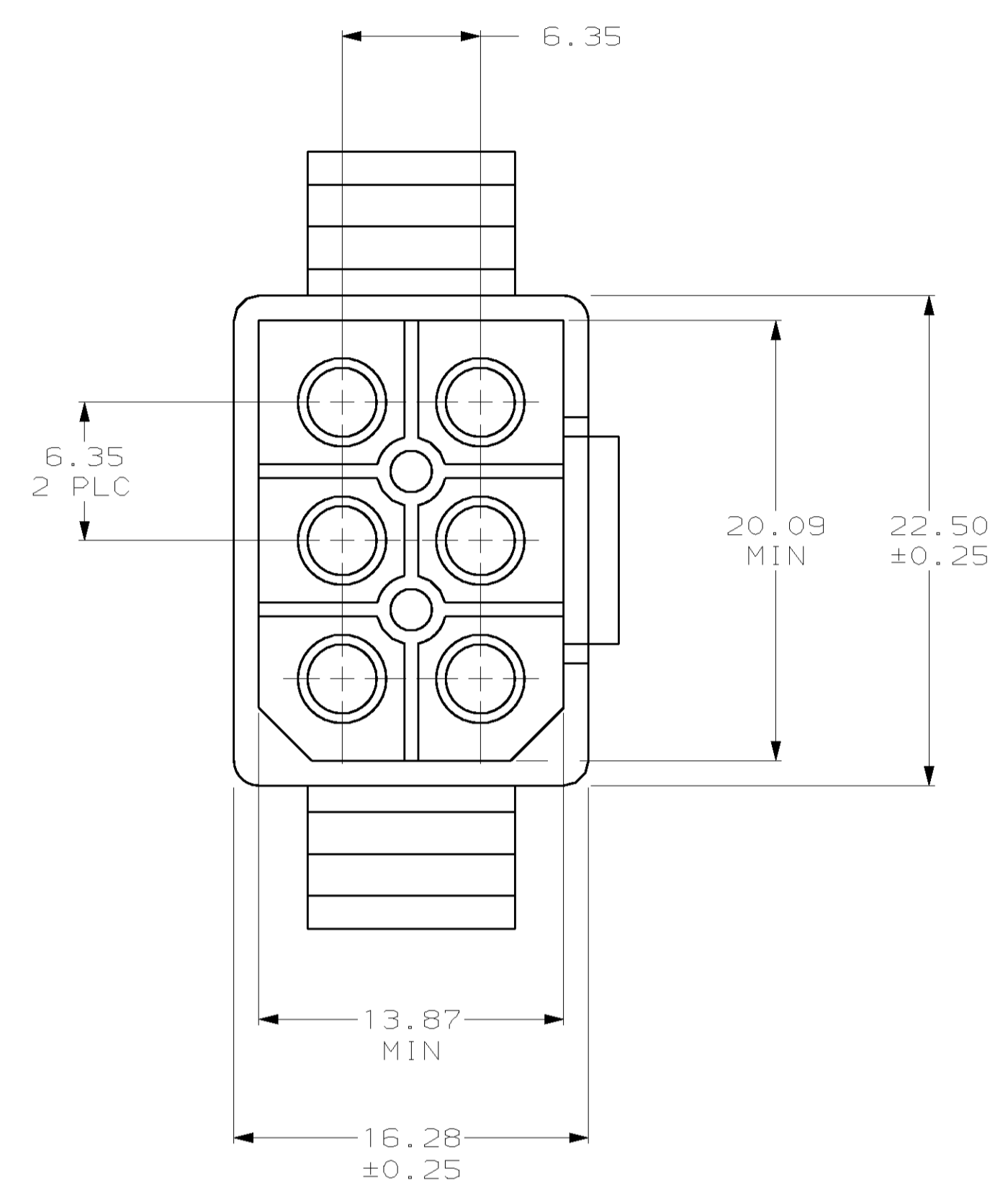
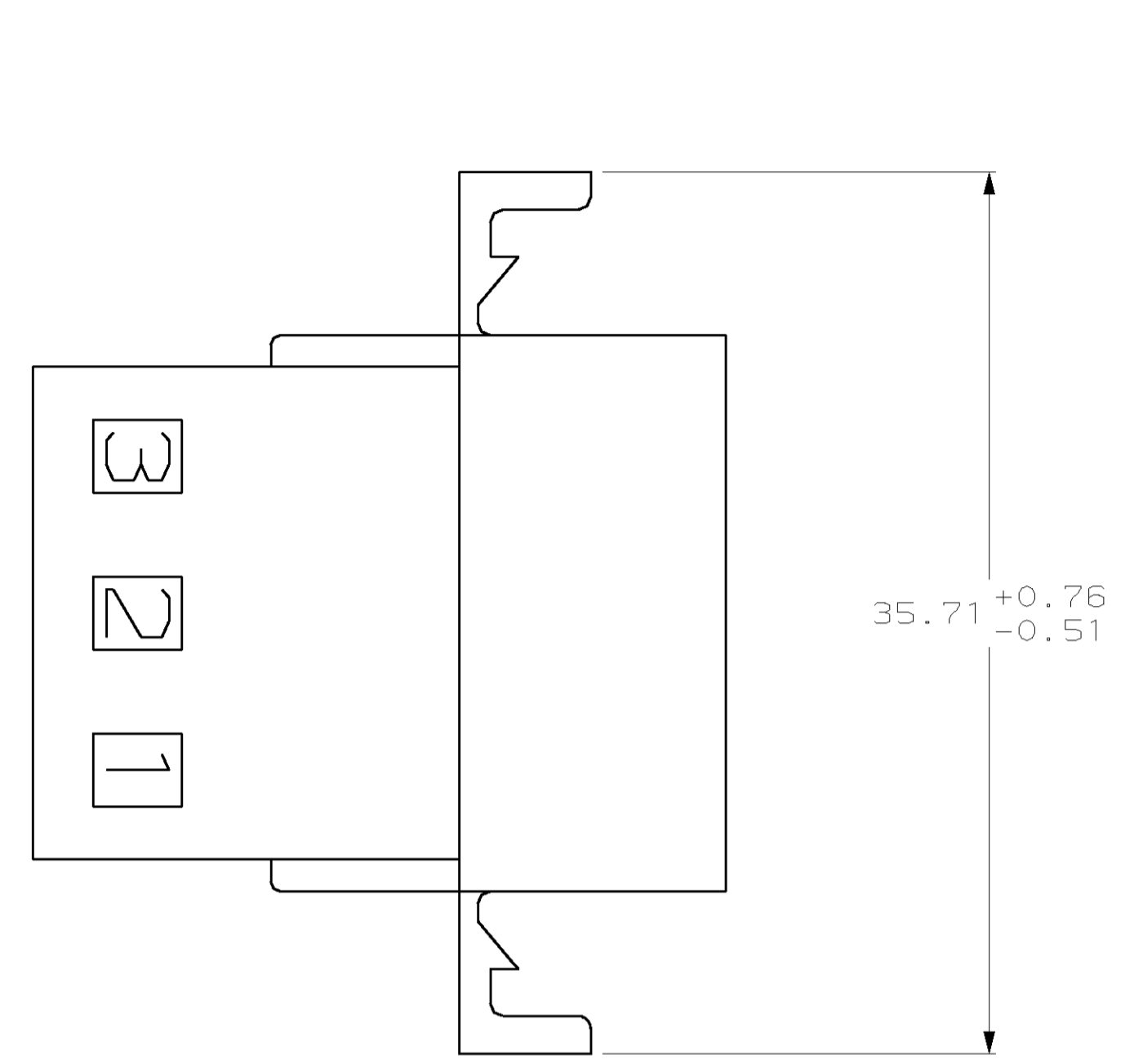
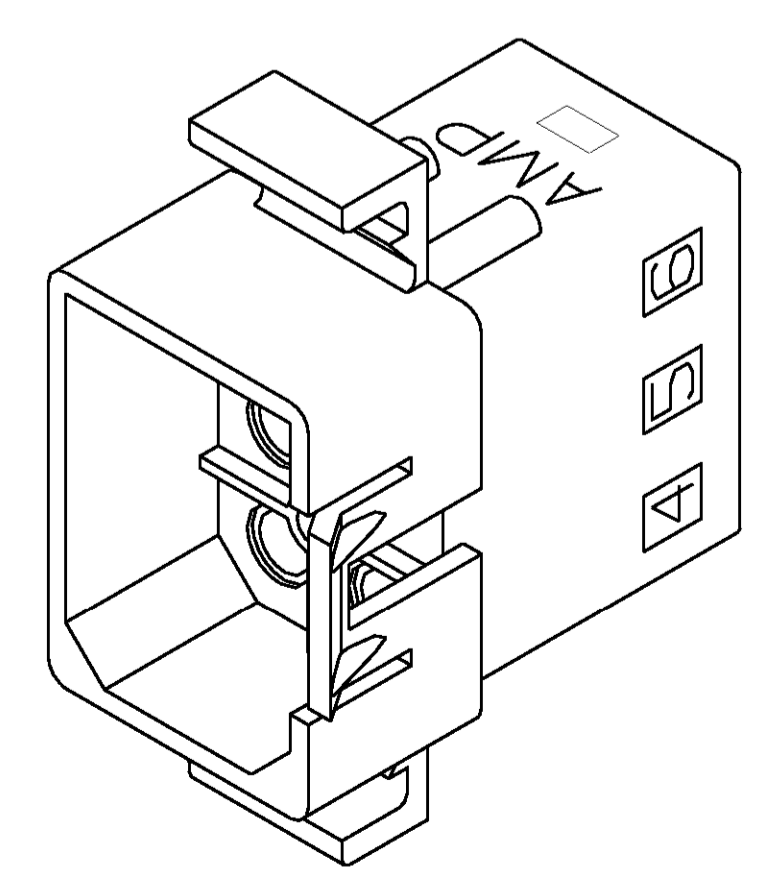


LOC		DIST		REVISIONS			
F	CHR	DATE	BY	APPROV	DESCRIPTION	DATE	BY
G		17-APR-00	KW	SR	REVISED PER EC 063B-0052-00		

△ AMP LOGO AND CAVITY NUMBER LOCATED THIS SURFACE.



RECOMMENDED CUT OUT FOR 1.57 MAX THICK PANEL



3-DIMENSIONAL MODEL NTS

MM	IN	MM	IN
13.87	.546	35.71	1.406
6.35	.250	28.07	1.105
1.57	.062	26.62	1.048
0.76	.030	22.50	.886
0.51	.020	20.09	.791
0.25	.010	16.71	.658
0.13	.005	16.28	.641
MM	IN	MM	IN

CONVERSION TABLE

770373-1
PART NUMBER



THIS DRAWING IS A CONTROLLED DOCUMENT.

DIMENSIONS:	TOLERANCES UNLESS OTHERWISE SPECIFIED:	DWN	K. WHITAKER	12-12-97
mm	0 PLC ±	CHK	R. SWING	12-12-97
	1 PLC ±	APPROV	K. COBLE	12-12-97
	2 PLC ±0.13	PRODUCT SPEC		
	3 PLC ±	APPLICATION SPEC		
	4 PLC ±	SIZE	A1	00779
	ANGLES	WEIGHT		
	FINISH	CUSTOMER DRAWING		

MATERIAL: NYLON, UL 94V-2, NATURAL
FINISH: -

AMP Incorporated
Harrisburg, PA 17105-3608

NAME: PLUG, PANEL MOUNT, 6 CIRCUIT, .250 PIN AND SOCKET

SCALE: 4:1 SHEET 1 OF 1 REV G

Mouser Electronics

Authorized Distributor

Click to View Pricing, Inventory, Delivery & Lifecycle Information:

[TE Connectivity:](#)

[770373-1](#)