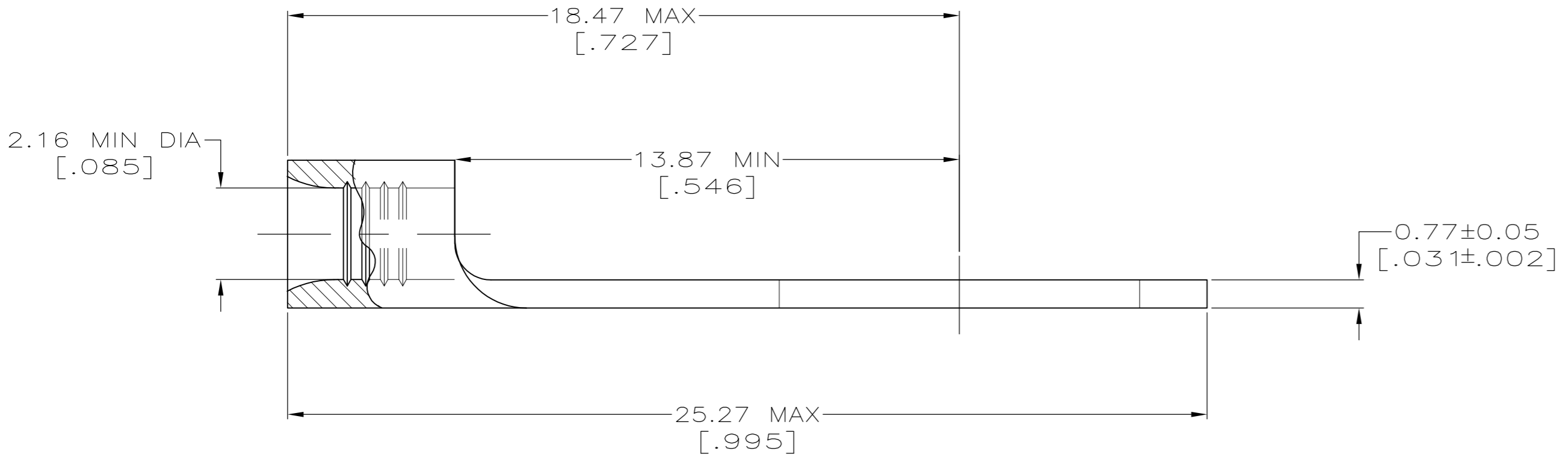
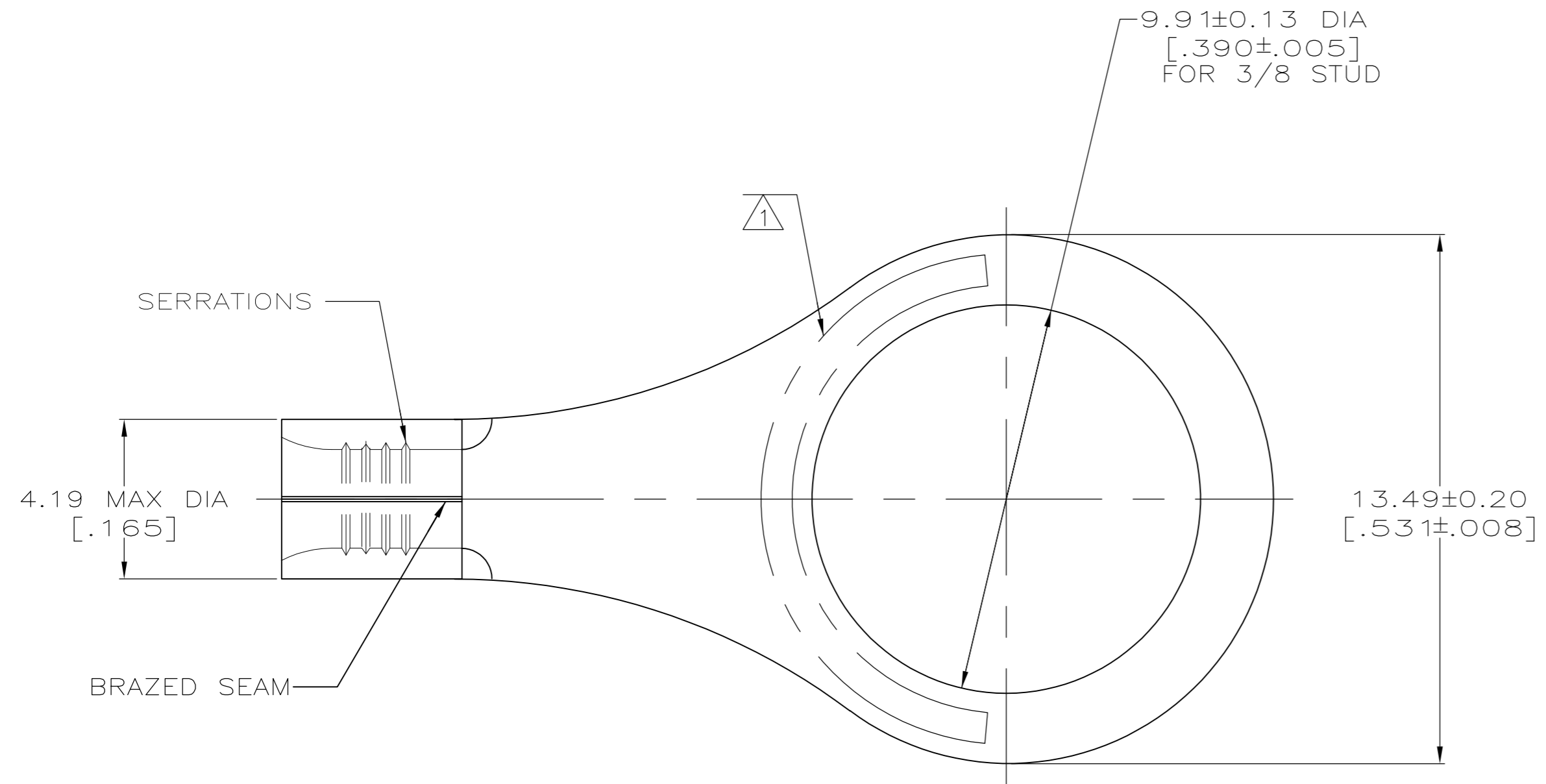


THIS DRAWING IS UNPUBLISHED. RELEASED FOR PUBLICATION
 © COPYRIGHT - By - ALL RIGHTS RESERVED.

LOC	DIST	REVISIONS			
P	LTR	DESCRIPTION	DATE	DWN	APVD
G	14	H1 REVISED PER ECO-11-004917	11MAR11	RK	HMR



AMP WIRE RANGE	E13288 Listed
16-14 AWG SOLID OR STRANDED	16-14 AWG SOLID OR STRANDED
LR7189 Certified	MILITARY P/N AND CLASS
16-14 AWG SOLID OR STRANDED	M7928/7-10 CLASS 2 P/N 34126 & 2-34126-2 ONLY

- ① STAMP AMP 16-14* APPROX AS SHOWN
- ② TIN PLATE 0.00254 [.000100] MIN THK PER ASTM B-545.
- ③ GOLD PLATE 0.00127 [.000050] MIN THK PER MIL-G-45204 OVER NICKEL PLATE 0.00076 [.000030] MIN THK PER QQ-N-290.
- ④ PRELIMINARY - NOT FOR PRODUCTION

AMP INCORPORATED
CUSTOMER SERVICE SYSTEMS

FOR ADDITIONAL PRODUCT INFORMATION OR COPIES OF DRAWINGS AND TECHNICAL DOCUMENTS

FOR APPLICATION TOOLING INFORMATION

FOR ORDER ENTRY

PRODUCT INFORMATION CENTER
1-800-522-6752

TOOLING ASSISTANCE CENTER
1-800-722-1111

1-800-526-5142

MAX RECOMMENDED OPERATING TEMPERATURE:
170° C MAX

VOLTAGE RATING:
NOT APPLICABLE

WIRE CROSS SECTIONAL AREA RANGE:
1.04-2.62mm² [2,050-5,180] CIR MILS
SOLID OR STRANDED

THIS DRAWING IS A CONTROLLED DOCUMENT FOR AMP INCORPORATED. IT IS SUBJECT TO CHANGE AND THE CONTROLLING ENGINEERING ORGANIZATION SHOULD BE CONTACTED FOR THE LATEST REVISION.

FINISH	QUANTITY	PACKAGING TYPE	PART NO
③	---	LOOSE PIECE	④ 2-34126-1
②	100	LOOSE PIECE, BOX	8-34126-1
②	5000	ON TAPE	2-34126-2
②	---	LOOSE PIECE	34126

THIS DRAWING IS A CONTROLLED DOCUMENT.		DWN TA BRINKMAN 3-17-93	TE Connectivity	
DIMENSIONS: INCHES		CHK DA PATTERSON 3-17-93		
TOLERANCES UNLESS OTHERWISE SPECIFIED:		APVD DE MILLER 3-17-93	NAME	
0 PLC ± -		PRODUCT SPEC	TERMINAL, RING TONGUE, SOLISTRAND™	
1 PLC ± -		APPLICATION SPEC	SIZE CAGE CODE DRAWING NO RESTRICTED TO	
2 PLC ± -		WEIGHT	A2 00779 C=34126	
3 PLC ± -		CUSTOMER DRAWING	SCALE 8:1 SHEET 1 of 1 REV H1	
4 PLC ± -		FINISH SEE TABLE		
ANGLES ± -				
MATERIAL COPPER PER ASTM B-152 ANNEALED				

Mouser Electronics

Authorized Distributor

Click to View Pricing, Inventory, Delivery & Lifecycle Information:

[TE Connectivity:](#)

[34126](#)