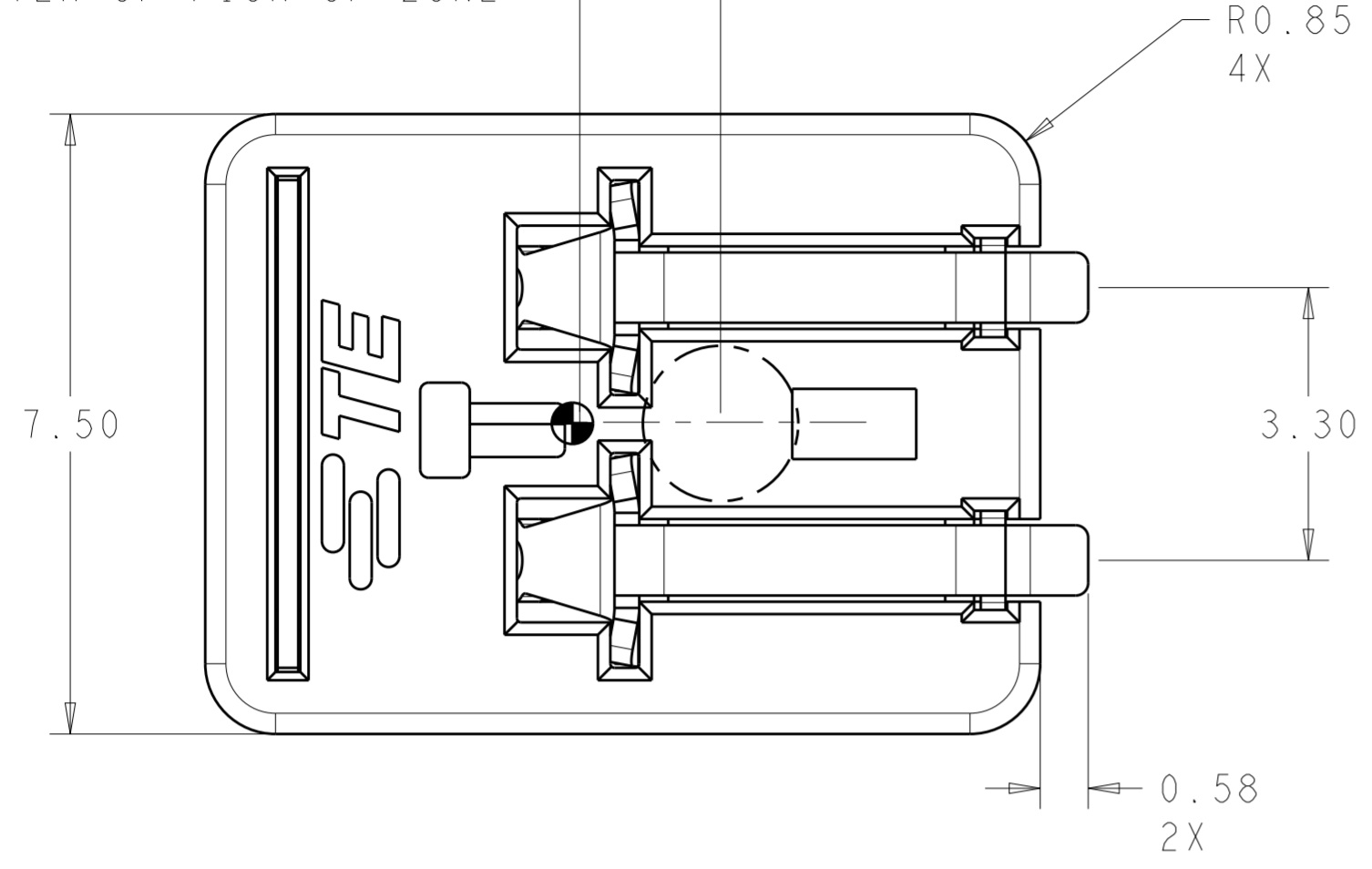


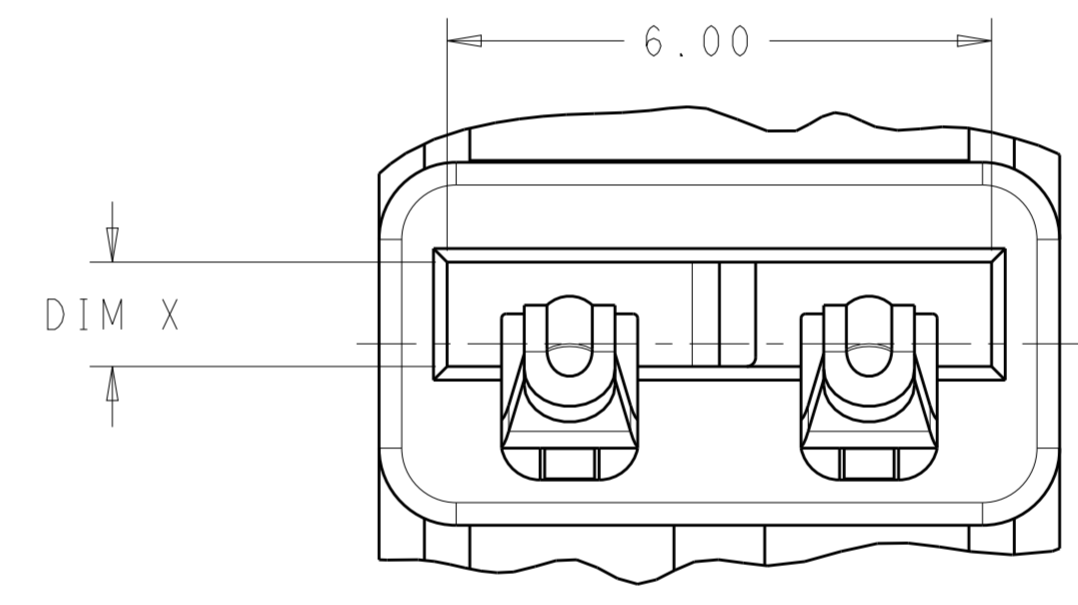
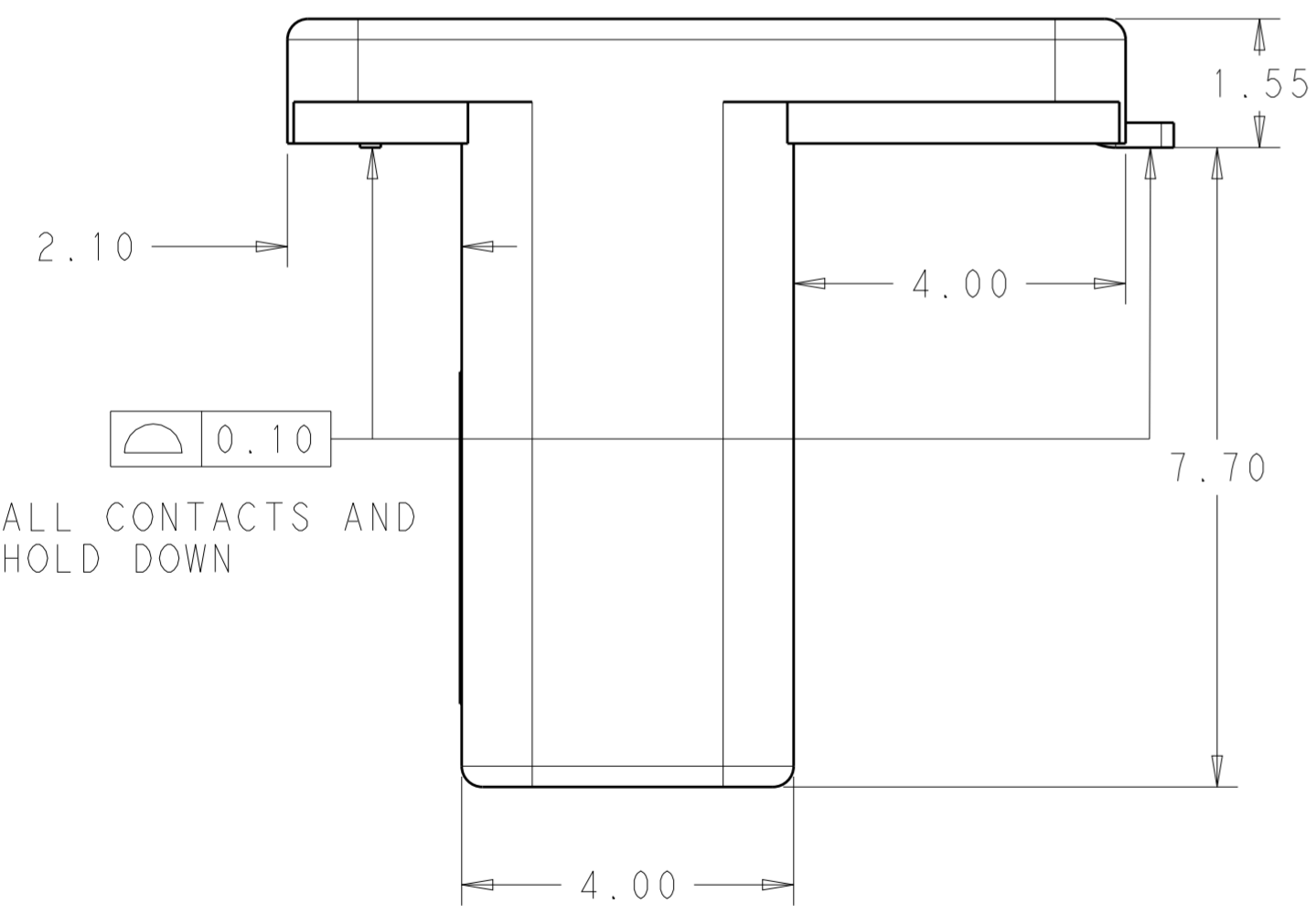
THIS DRAWING IS UNPUBLISHED. RELEASED FOR PUBLICATION 20
 © COPYRIGHT 20 BY - ALL RIGHTS RESERVED.

LOC		DIST		REVISIONS			
P	LTR	DESCRIPTION	DATE	DWN	APVD		
-	-	A	REVISED PER ECR-16-018289	30DEC2016	RK	PO	

1.70 DISTANCE FROM COG TO CENTER OF PICK UP ZONE



- 1 MATERIALS AND FINISH:
 -HOUSING AND COVER: THERMOPLASTIC, COLOR: NATURAL
 -CONTACTS: COPPER ALLOY, FINISH: Sn OVER Ni
 -HOLD DOWN: COPPER ALLOY, FINISH: Sn OVER Ni
- 2. MUST COMPLY WITH DIRECTIVE 2002/95/EC (ROHS)
- 3. THIS PRODUCT HAS NOT COMPLETED VALIDATION TESTING.
- 4. PACKAGED IN TAPE AND REEL
- 5 PCB EDGE TO BE DETERMINED BY CUSTOMER APPLICATION
- 6 TO BE USED WITH 1.0±10% (OR 0.8±10%) PCB THICKNESS
- 7 TO BE USED WITH 1.6±10% PCB THICKNESS
- 8 DIMENSION SHOWN IS RECOMMENDED SOLDER MASK OPENING



VIEW E
SCALE 12:1

2213188-1, -2

1.6	WITH COVER	1.44 - 1.75	1.81	2213188-4
1.0	WITH COVER	0.72 - 1.10	1.15	2213188-3
1.6	W/O COVER	1.44 - 1.75	1.81	2213188-2
1.0	W/O COVER	0.72 - 1.10	1.15	2213188-1
MARKING	COVER	DIM B	DIM X	PART NO.

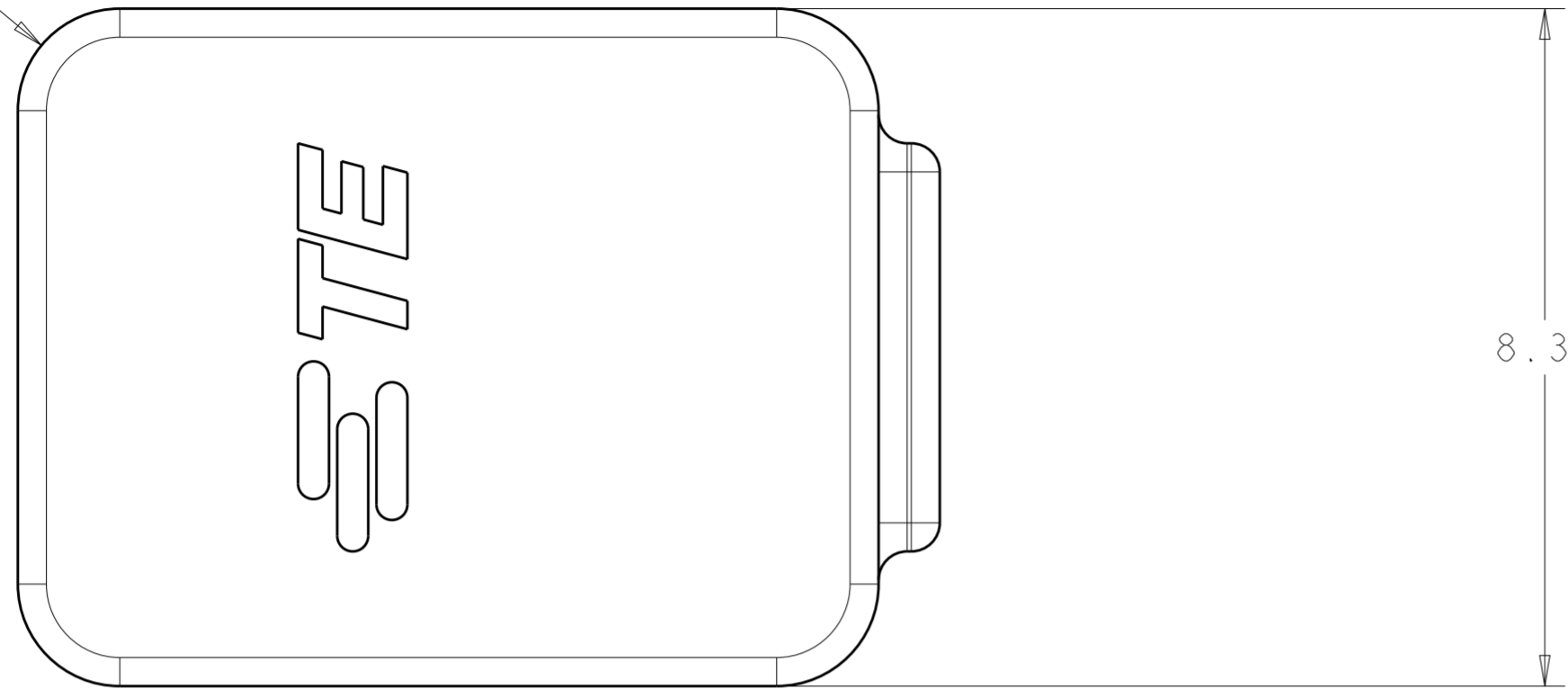
SEE VIEW E

THIS DRAWING IS A CONTROLLED DOCUMENT.		DWN C. DAILY 25OCT2012	STE TE Connectivity															
		CHK C. GINGRICH 25OCT2012																
DIMENSIONS: mm		TOLERANCES UNLESS OTHERWISE SPECIFIED:		NAME ASSEMBLY, CARD EDGE INVERTED THROUGH BOARD														
<table border="0"> <tr><td>0 PLC</td><td>±</td></tr> <tr><td>1 PLC</td><td>±0.2</td></tr> <tr><td>2 PLC</td><td>±0.15</td></tr> <tr><td>3 PLC</td><td>±</td></tr> <tr><td>4 PLC</td><td>±</td></tr> <tr><td>ANGLES</td><td>±2°</td></tr> <tr><td>FINISH</td><td></td></tr> </table>		0 PLC	±	1 PLC	±0.2	2 PLC	±0.15	3 PLC	±	4 PLC	±	ANGLES	±2°	FINISH		PRODUCT SPEC 108-32041	SIZE A200779	DRAWING NO. C-2213188
0 PLC	±																	
1 PLC	±0.2																	
2 PLC	±0.15																	
3 PLC	±																	
4 PLC	±																	
ANGLES	±2°																	
FINISH																		
MATERIAL		APPLICATION SPEC 114-32054	RESTRICTED TO															
		WEIGHT	SCALE 7:1	SHEET 1 OF 4 REV A														
		CUSTOMER DRAWING																

THIS DRAWING IS UNPUBLISHED. RELEASED FOR PUBLICATION 20
 © COPYRIGHT 20 BY - ALL RIGHTS RESERVED.

LOC	DIST	REVISIONS			
P	LTR	DESCRIPTION	DATE	DWN	APVD
-	-	SEE SHEET 1	-	-	-

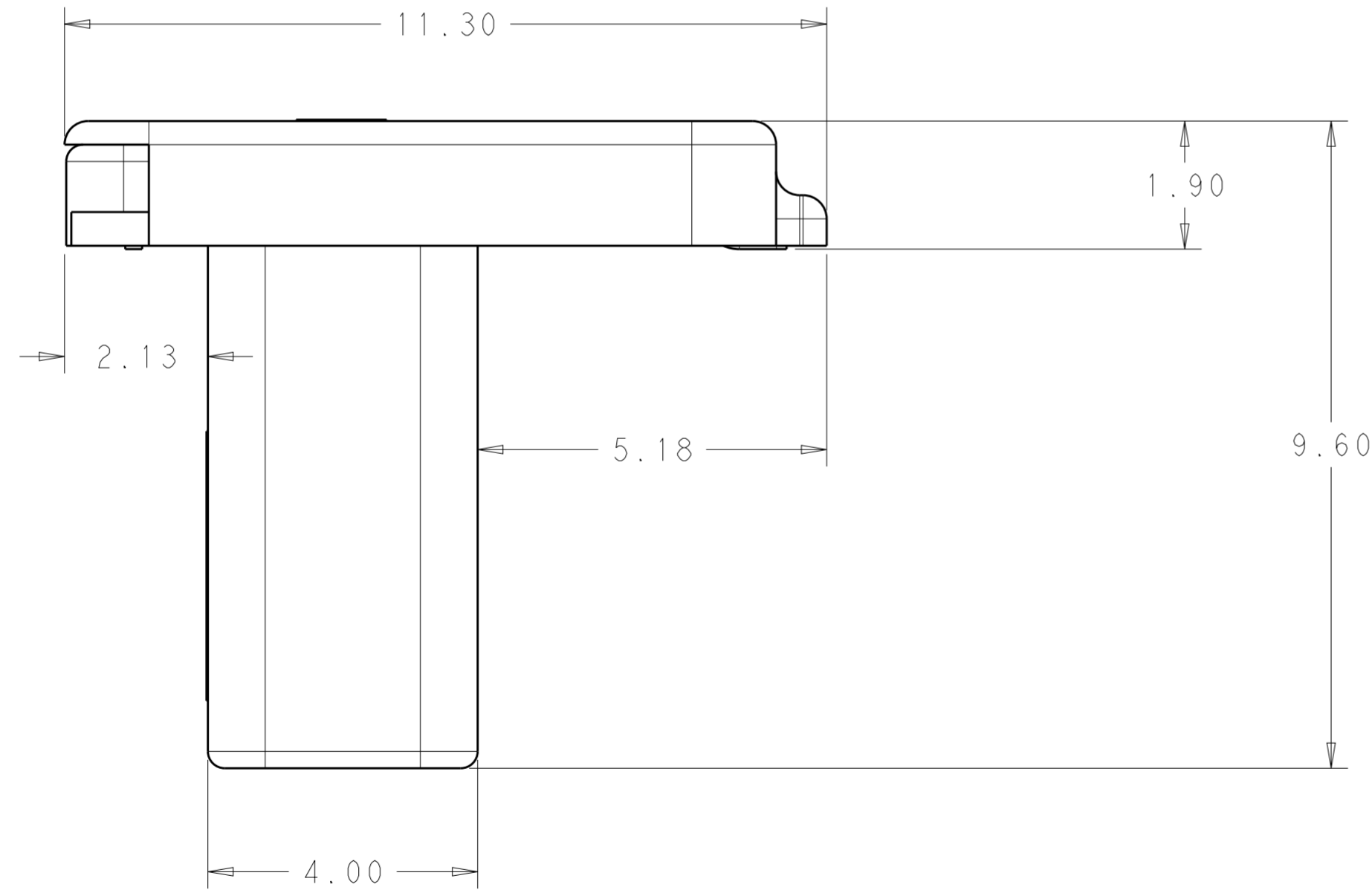
R1.25



8.30

SCALE 12:1

2213188-3, -4



11.30

1.90

2.13

5.18

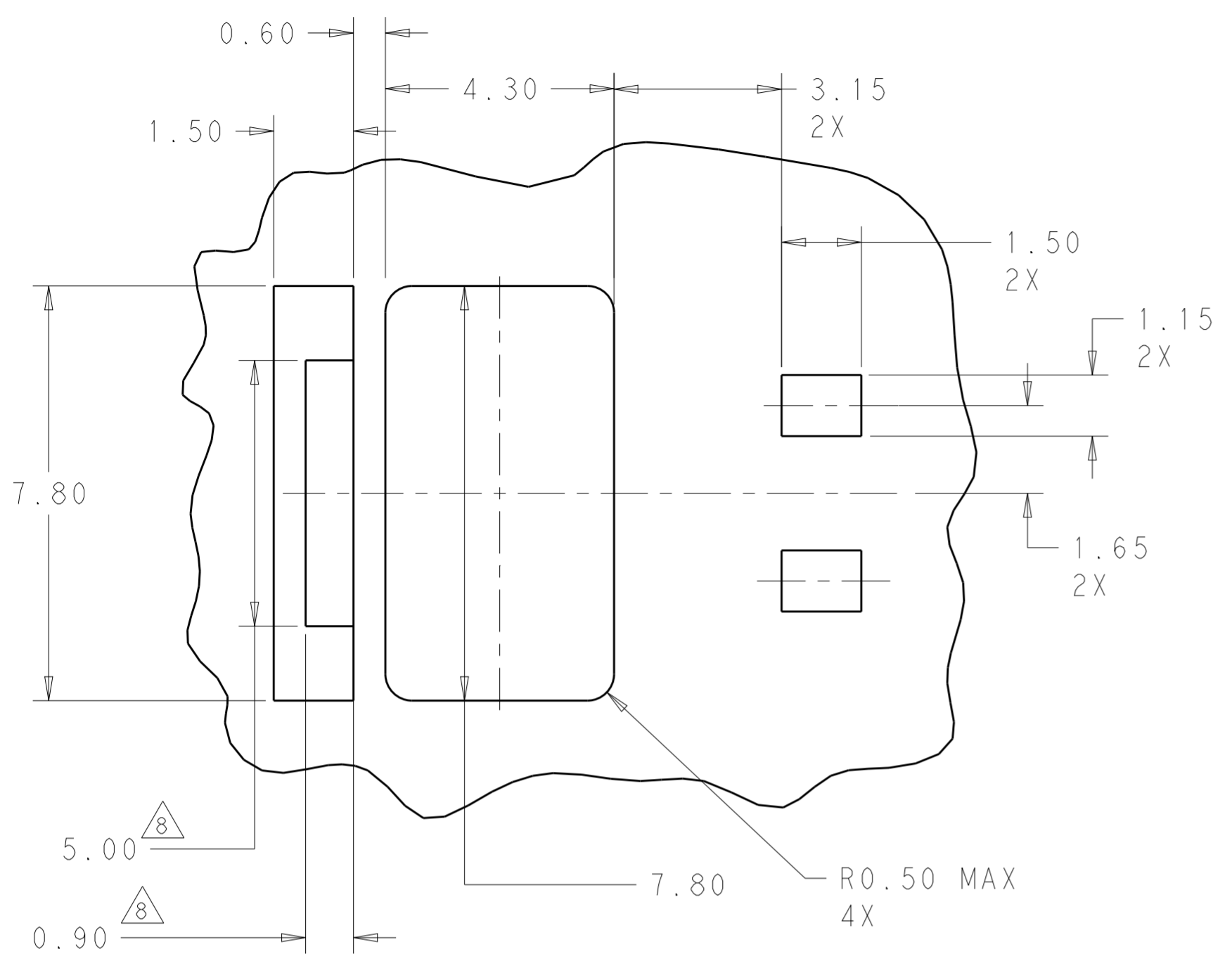
9.60

4.00

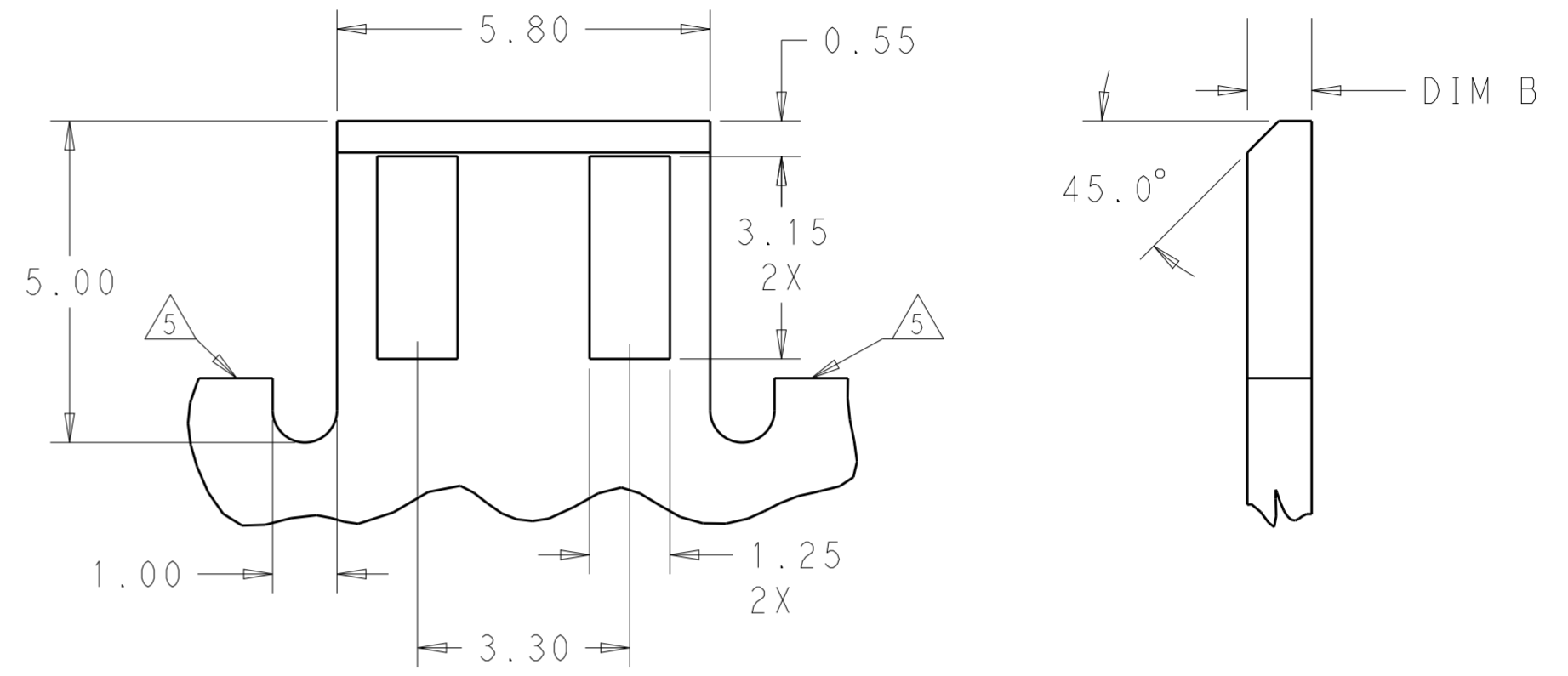
THIS DRAWING IS A CONTROLLED DOCUMENT.		DWN C. DAILY 25OCT2012	STC TE Connectivity	
		CHK C. GINGRICH 25OCT2012		
DIMENSIONS: mm		APVD -		NAME ASSEMBLY, CARD EDGE INVERTED THROUGH BOARD
TOLERANCES UNLESS OTHERWISE SPECIFIED: 0 PLC ± 1 PLC ±0.2 2 PLC ±0.15 3 PLC ± 4 PLC ± ANGLES ±2° FINISH		PRODUCT SPEC 108-32041		SIZE A200779
MATERIAL -		APPLICATION SPEC 114-32054		DRAWING NO C-2213188
		WEIGHT -		RESTRICTED TO -
		CUSTOMER DRAWING		SCALE 7:1 SHEET 2 OF 4 REV A

THIS DRAWING IS UNPUBLISHED. RELEASED FOR PUBLICATION 20
 © COPYRIGHT 20 BY - ALL RIGHTS RESERVED.

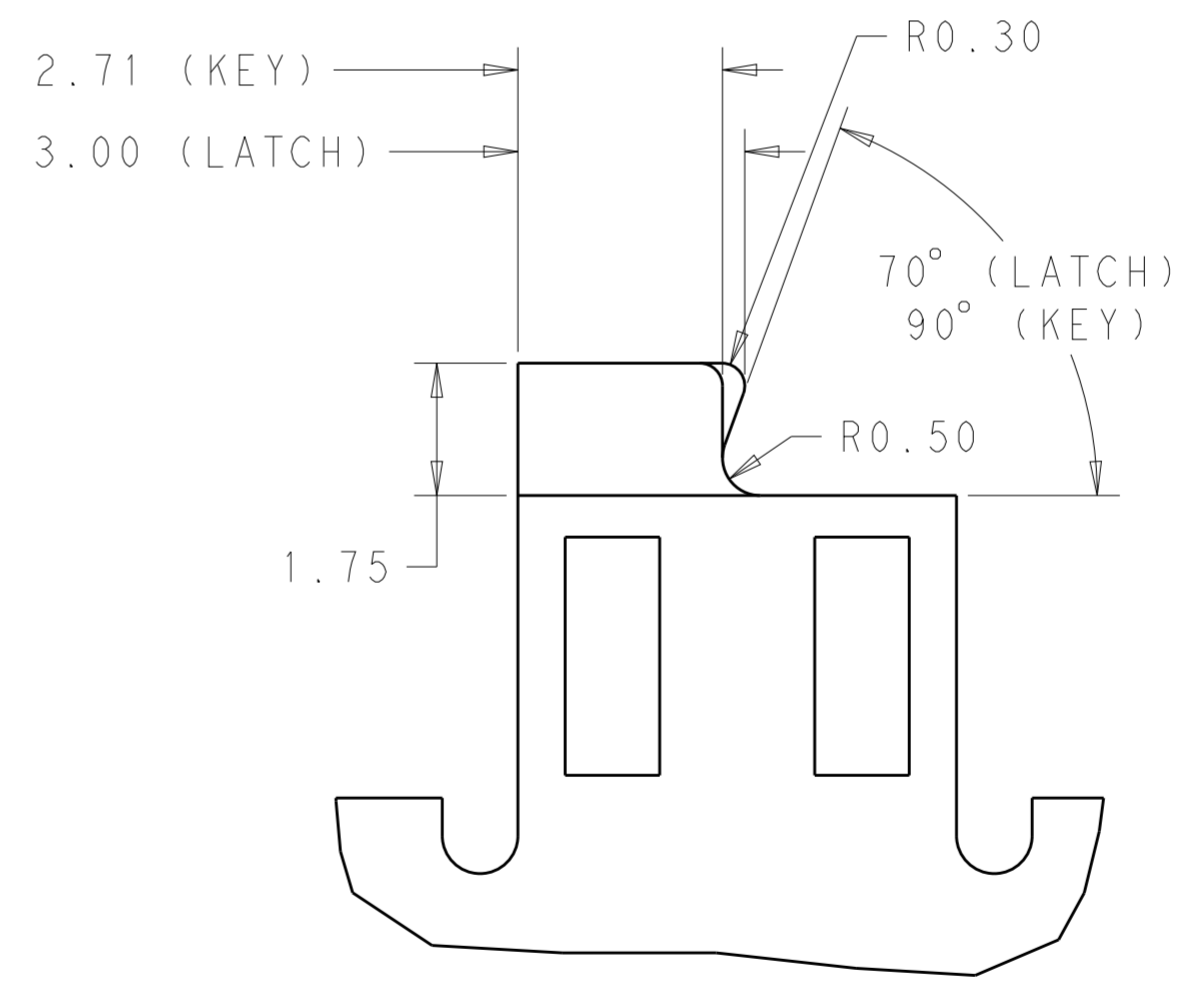
LOC		DIST		REVISIONS			
P	LTR	DESCRIPTION	DATE	DWN	APVD		
-	-	SEE SHEET 1	-	-	-		



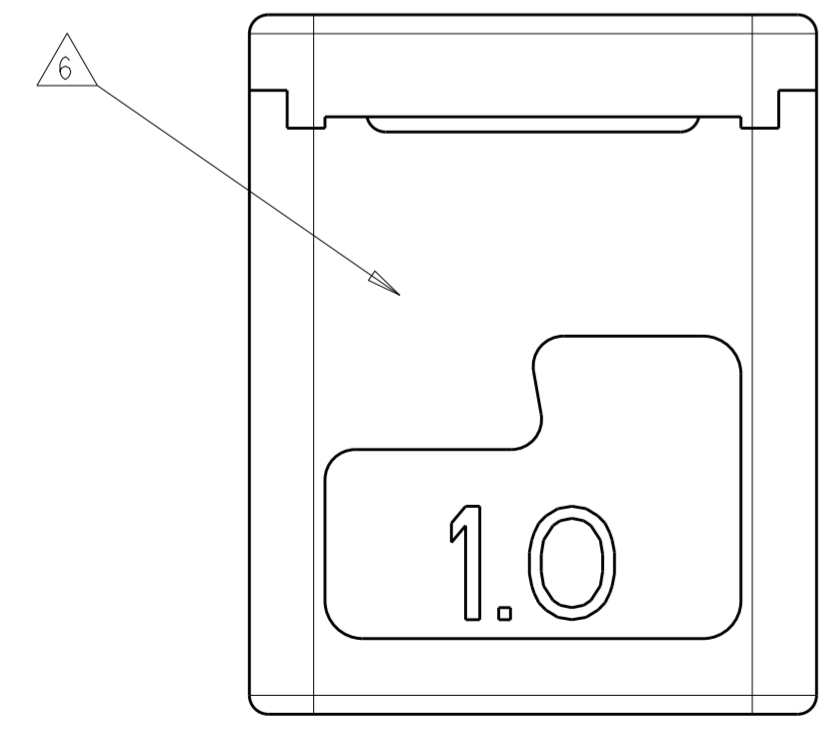
MOUNTING PCB LAYOUT
SCALE 10:1



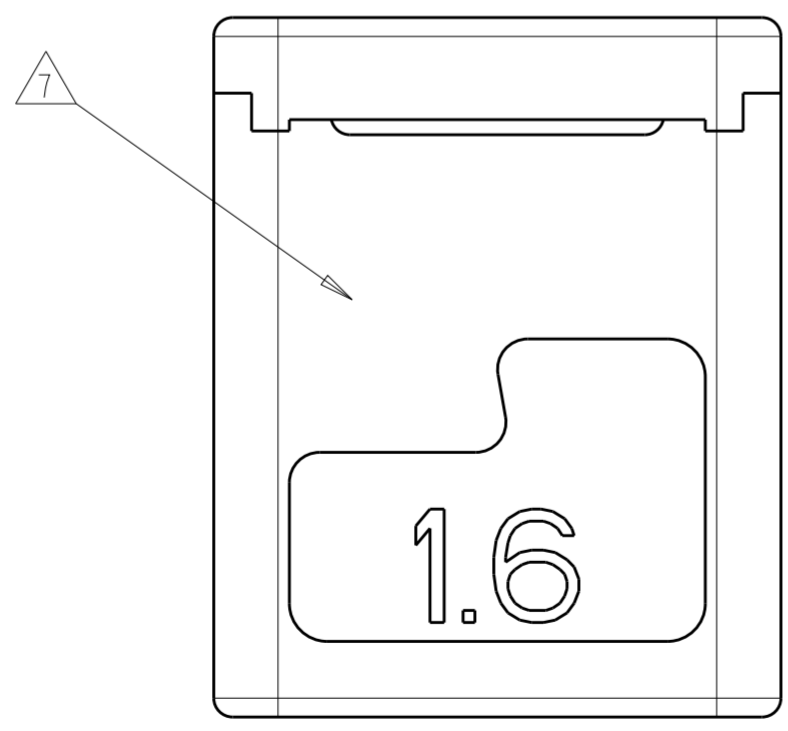
MATING PCB DETAILS (PREFERRED OPTION)
SCALE 10:1



MATING PCB DETAILS (KEY AND LATCH OPTIONS)
SCALE 10:1



2213188-1, -3
SCALE 10:1

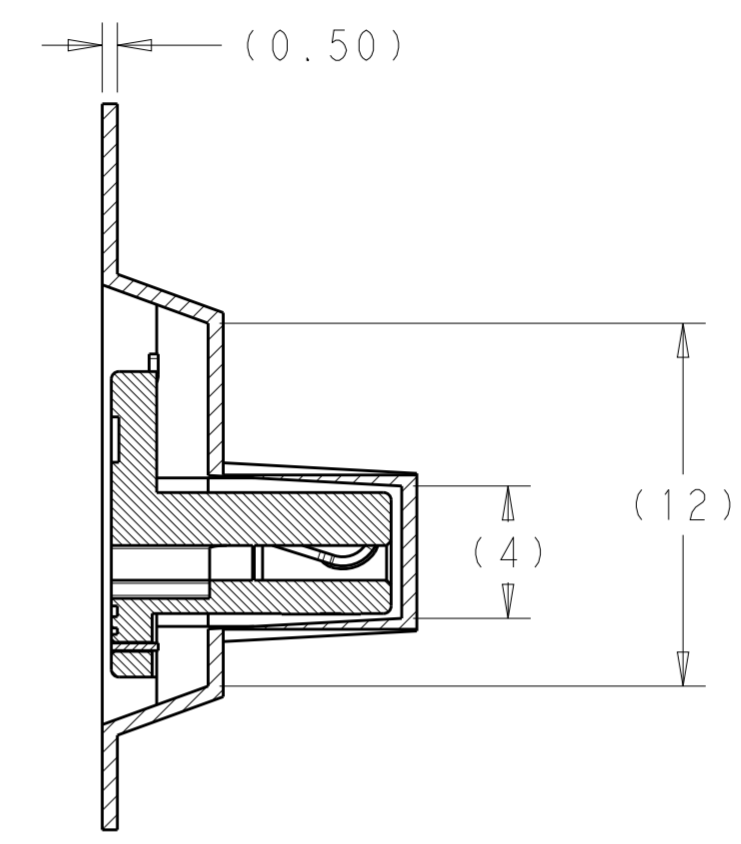
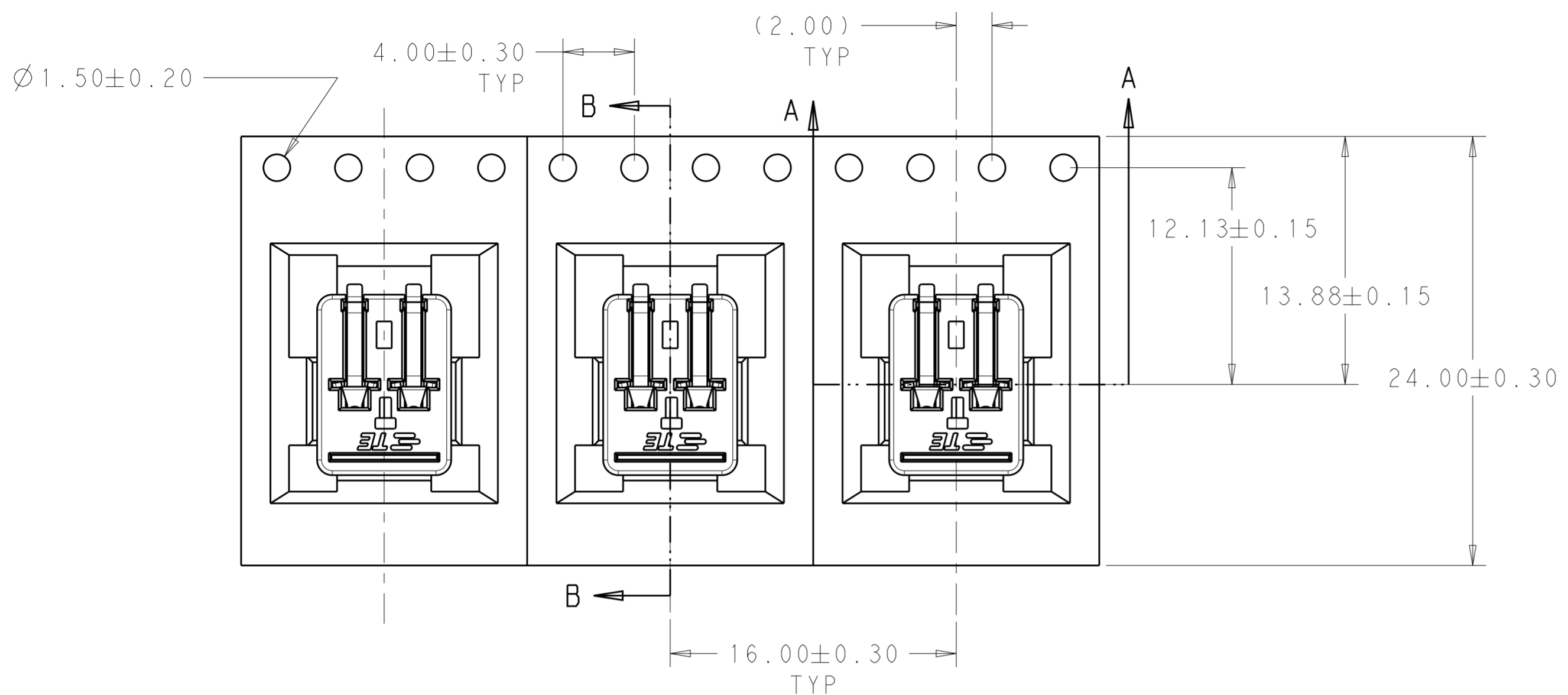


2213188-2, -4
SCALE 10:1

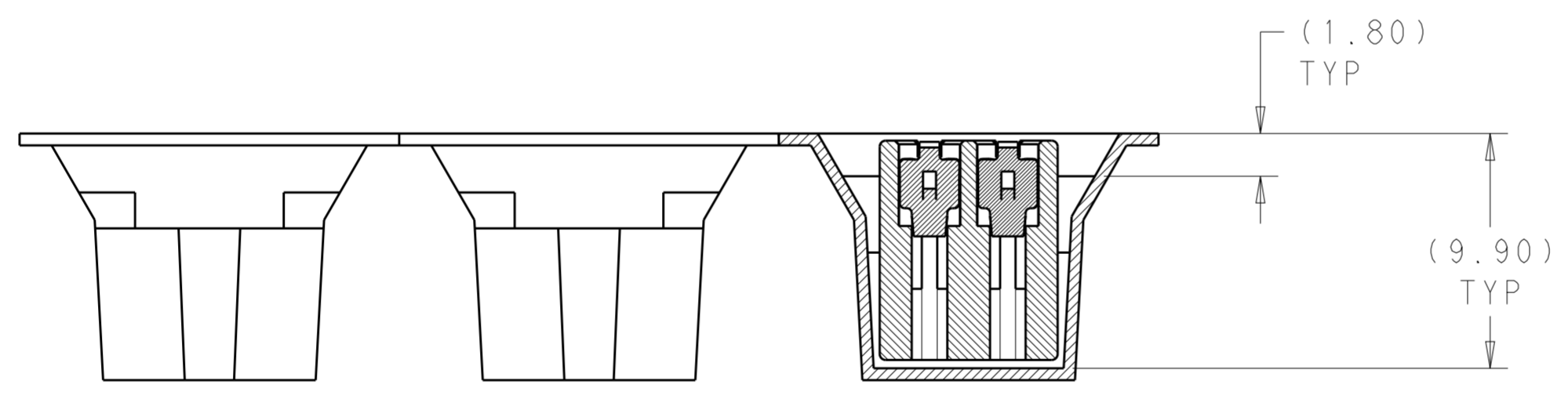
THIS DRAWING IS A CONTROLLED DOCUMENT.		DWN C. DAILY 25OCT2012	STE TE Connectivity	
		CHK C. GINGRICH 25OCT2012		
DIMENSIONS: mm		TOLERANCES UNLESS OTHERWISE SPECIFIED:		NAME ASSEMBLY, CARD EDGE INVERTED THROUGH BOARD
0 PLC ±		1 PLC ±0.2		PRODUCT SPEC 108-32041
2 PLC ±0.15		3 PLC ±		APPLICATION SPEC 114-32054
4 PLC ±		ANGLES ±2°		SIZE A200779
MATERIAL		FINISH		CAGE CODE C-2213188
		CUSTOMER DRAWING		RESTRICTED TO
		SCALE 7:1		SHEET 3 OF 4
				REV A

THIS DRAWING IS UNPUBLISHED. RELEASED FOR PUBLICATION 20
 © COPYRIGHT 20 BY - ALL RIGHTS RESERVED.

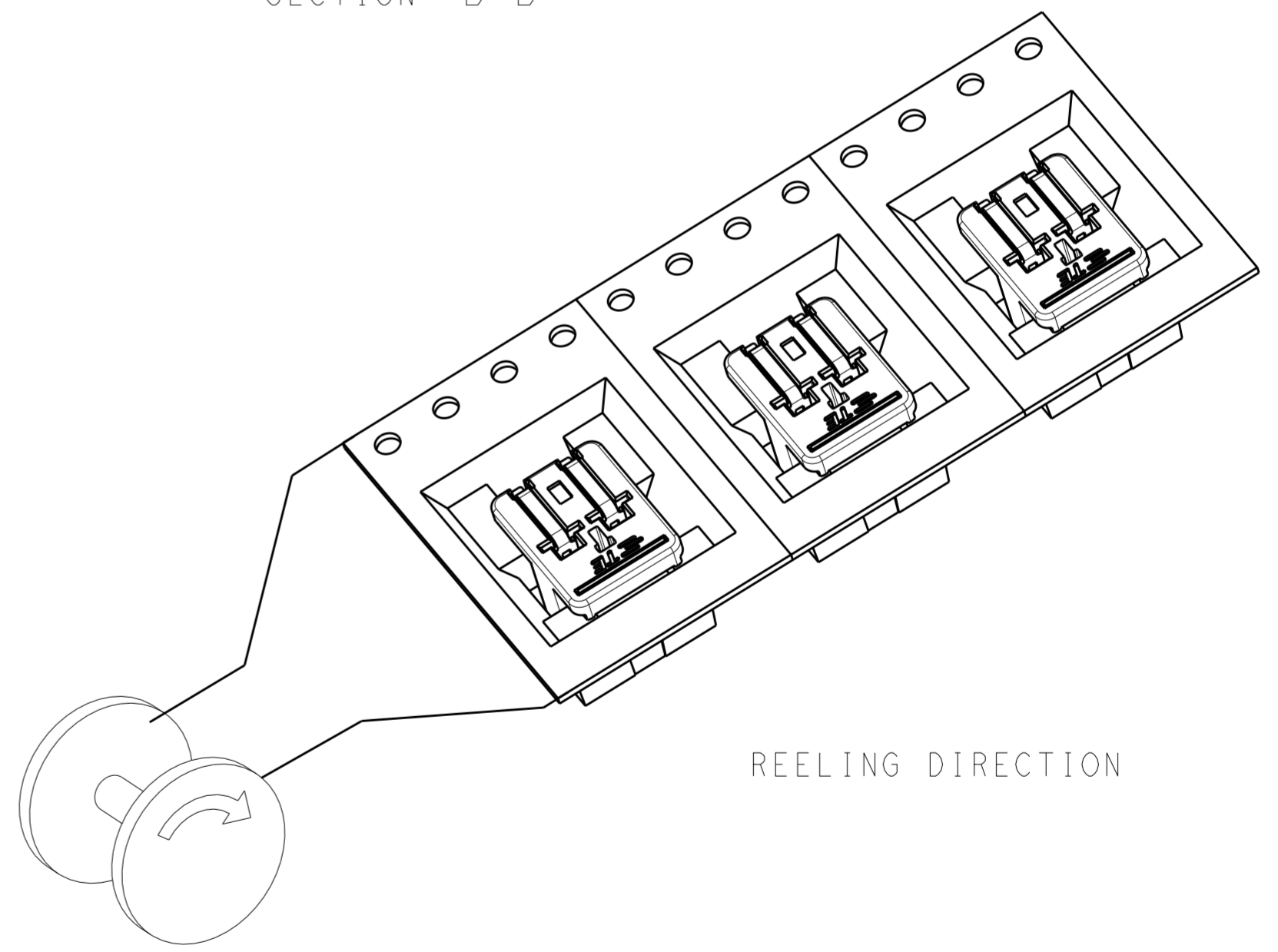
LOC		DIST		REVISIONS			
P	LTR	DESCRIPTION	DATE	DWN	APVD		
-	-	SEE SHEET 1	-	-	-		



SECTION B-B



SECTION A-A



REELING DIRECTION

PACKAGING FOR 2213188-1 SHOWN

THIS DRAWING IS A CONTROLLED DOCUMENT.		DWN C. DAILY 25OCT2012	TE Connectivity	
		CHK C. GINGRICH 25OCT2012		
DIMENSIONS: mm		TOLERANCES UNLESS OTHERWISE SPECIFIED:		NAME ASSEMBLY, CARD EDGE INVERTED THROUGH BOARD
0 PLC ± 1 PLC ±0.2 2 PLC ±0.15 3 PLC ± 4 PLC ± ANGLES ±2° FINISH		PRODUCT SPEC 108-32041	SIZE 114-32054	RESTRICTED TO
MATERIAL		APVD	APPLICATION SPEC 114-32054	SIZE A200779
		WEIGHT	CUSTOMER DRAWING	CAGE CODE C-2213188
		SCALE 7:1	SHEET 4 OF 4	REV A

Mouser Electronics

Authorized Distributor

Click to View Pricing, Inventory, Delivery & Lifecycle Information:

[TE Connectivity:](#)

[2213188-1](#)