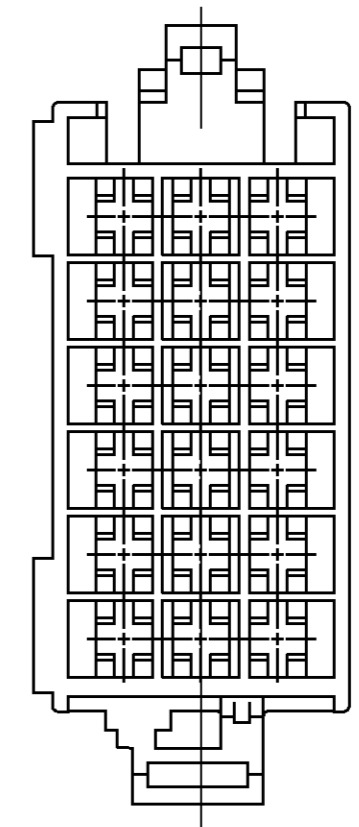
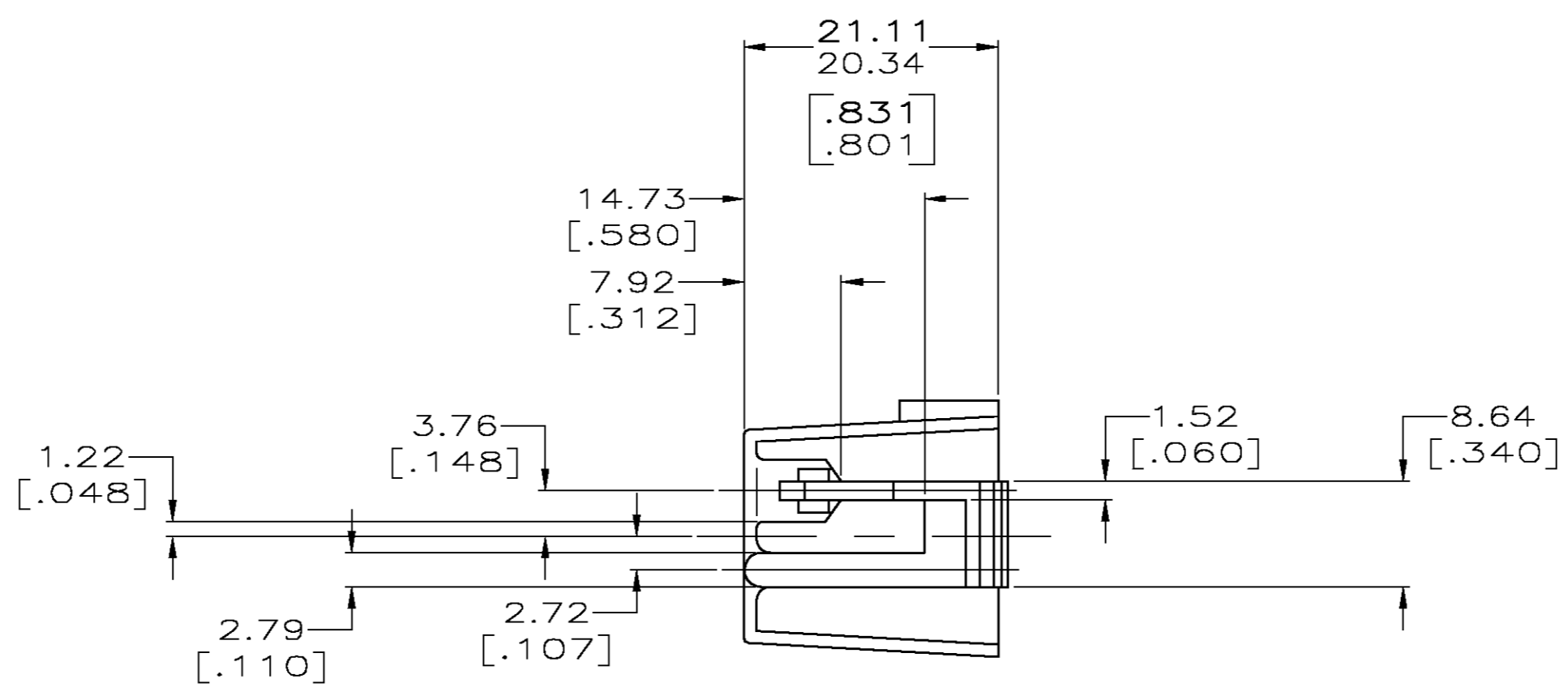
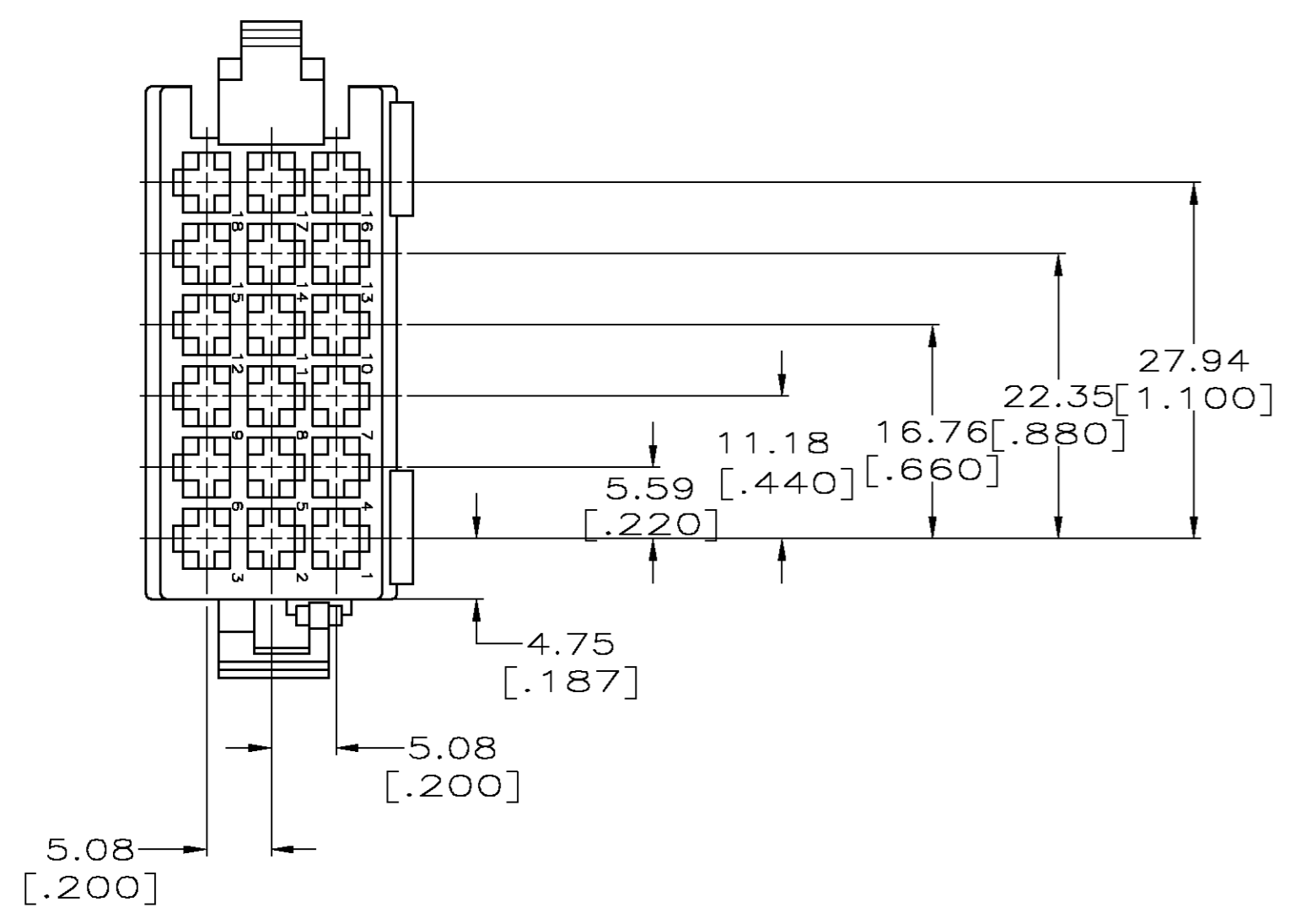
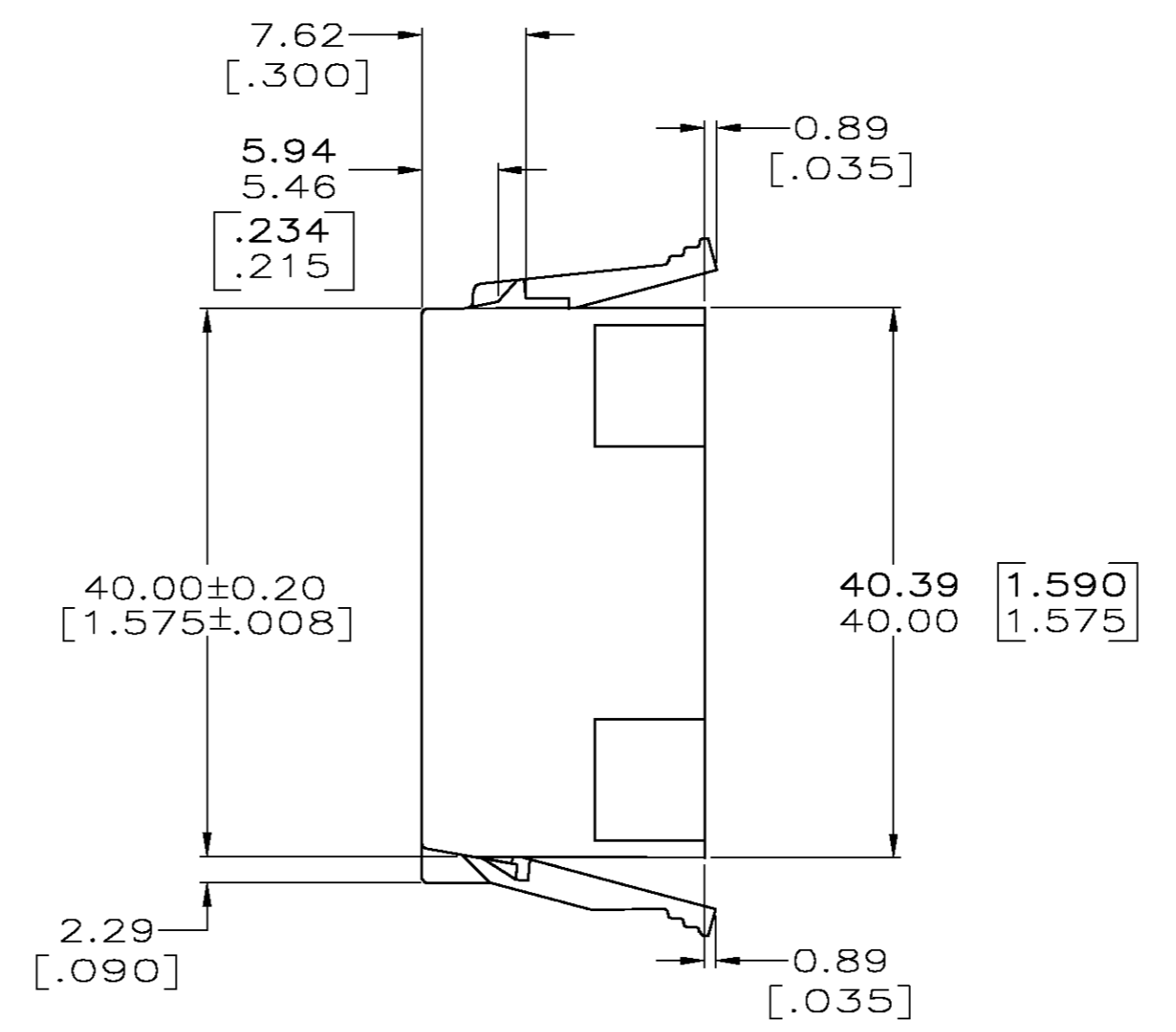
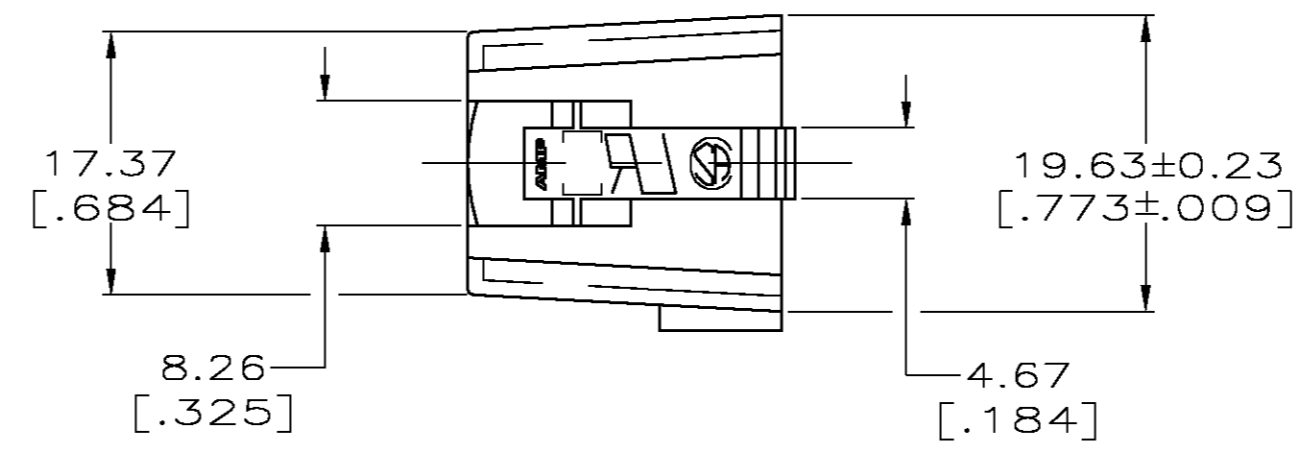


THIS DRAWING IS UNPUBLISHED. RELEASED FOR PUBLICATION
 © COPYRIGHT BY TYCO ELECTRONICS CORPORATION. ALL RIGHTS RESERVED.

LOC		DIST		REVISIONS			
P	LTR	DESCRIPTION	DATE	DWN	APVD		
AF	50	N	REVISED PER 0G3A-0596-04	30JUL04	MF	DD	

1 PART TO ACCEPT TERMINALS 61603-1 AND 63604-1.
 2 PRELIMINARY - NOT FOR PRODUCTION.



NYLON V-0	2	641414-2
NYLON 6/6		641414-1
MATERIAL		PART NUMBER

THIS DRAWING IS A CONTROLLED DOCUMENT.		DWN 27/JAN/97 PHILLIP M. FORTNEY	Tyco Electronics Corporation Harrisburg, Pa 17105-3608	
DIMENSIONS: mm		CHK 27/JAN/97 JEFF R. RUTH	NAME	
TOLERANCES UNLESS OTHERWISE SPECIFIED:		APVD 27/JAN/97 JEFF FYLSTRA	HOUSING, RIGHT HAND, 18 CIRCUIT, TIMER CONNECTOR	
0 PLC ± -		PRODUCT SPEC	SIZE	CAGE CODE
1 PLC ± -		APPLICATION SPEC	A2	00779
2 PLC ± 0.25 [.010]		WEIGHT	SCALE	DRAWING NO
3 PLC ± -		CUSTOMER DRAWING	2:1	C=641414
4 PLC ± -		FINISH	SHEET	OF
ANGLES ± -		BLACK	1	1
FINISH		RESTRICTED TO	REV	N

641414-1414

Mouser Electronics

Authorized Distributor

Click to View Pricing, Inventory, Delivery & Lifecycle Information:

[TE Connectivity:](#)

[641414-1](#)