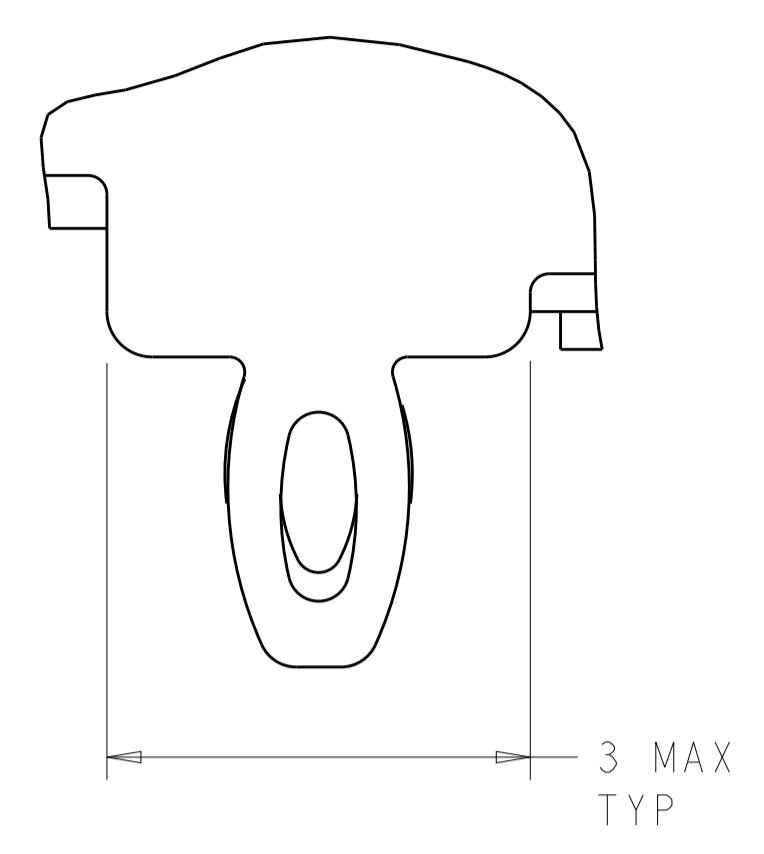


LOC	DIST	REVISIONS					
		P	LTN	DESCRIPTION	DATE	DMN	APVD
GP	00	C		REVISED PER ECO-10-018054	02NOV2010	CJV	EJB
		D		REVISED PER ECO-12-005533	23MAR2012	JY	AC
		E		REVISED PER ECO-14-012115	6AUG2014	RG	MC
		F		REVISED PER ECO-14-017735	30EC2014	RG	MC

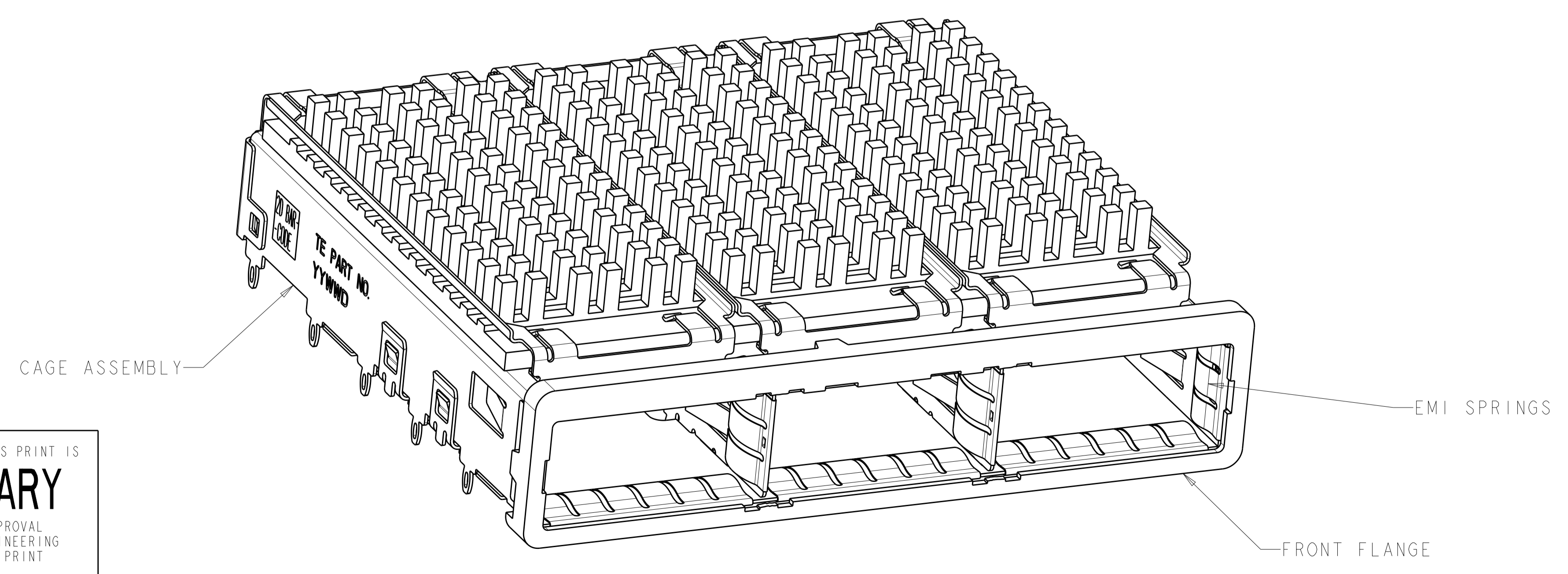
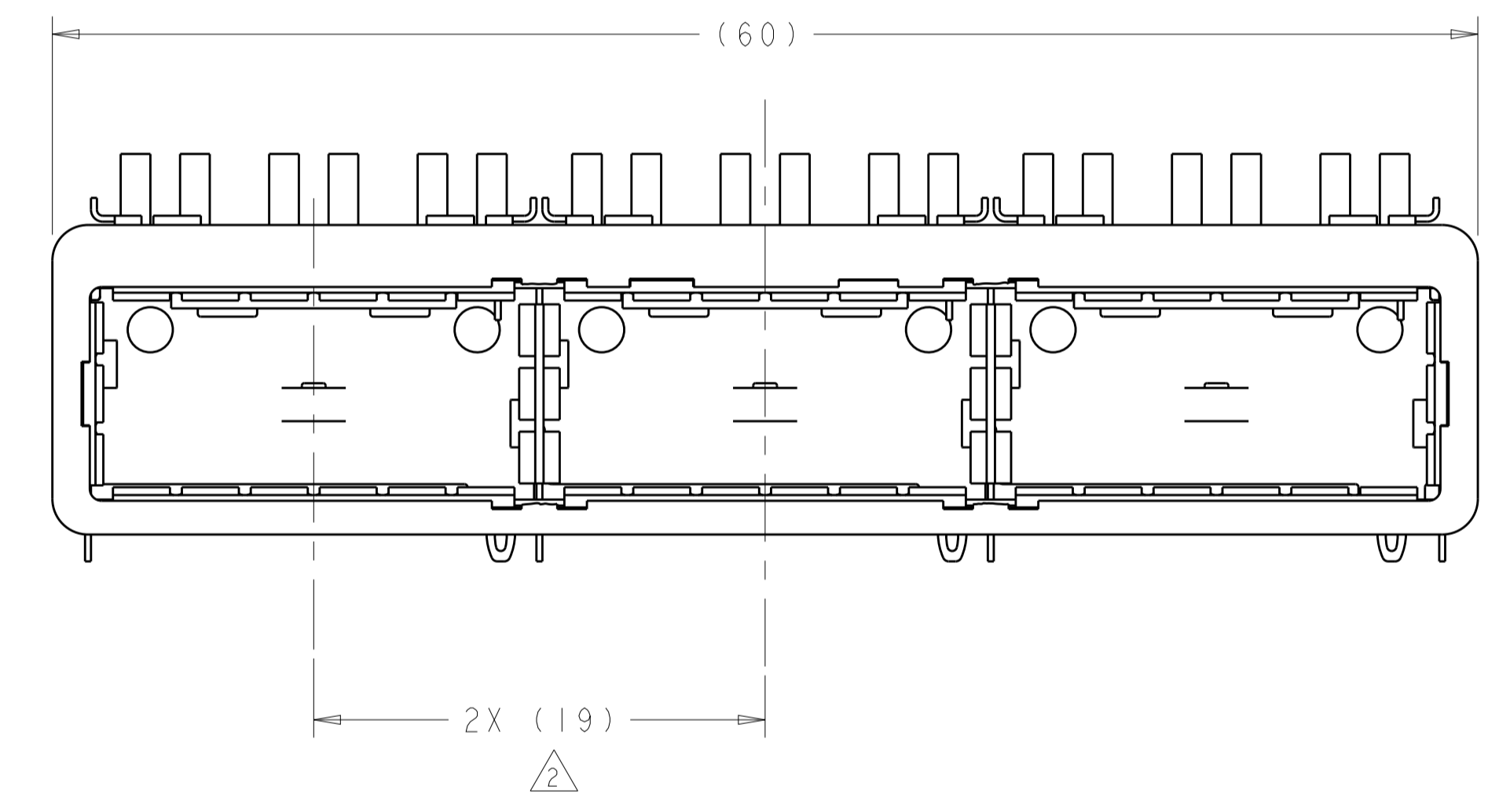
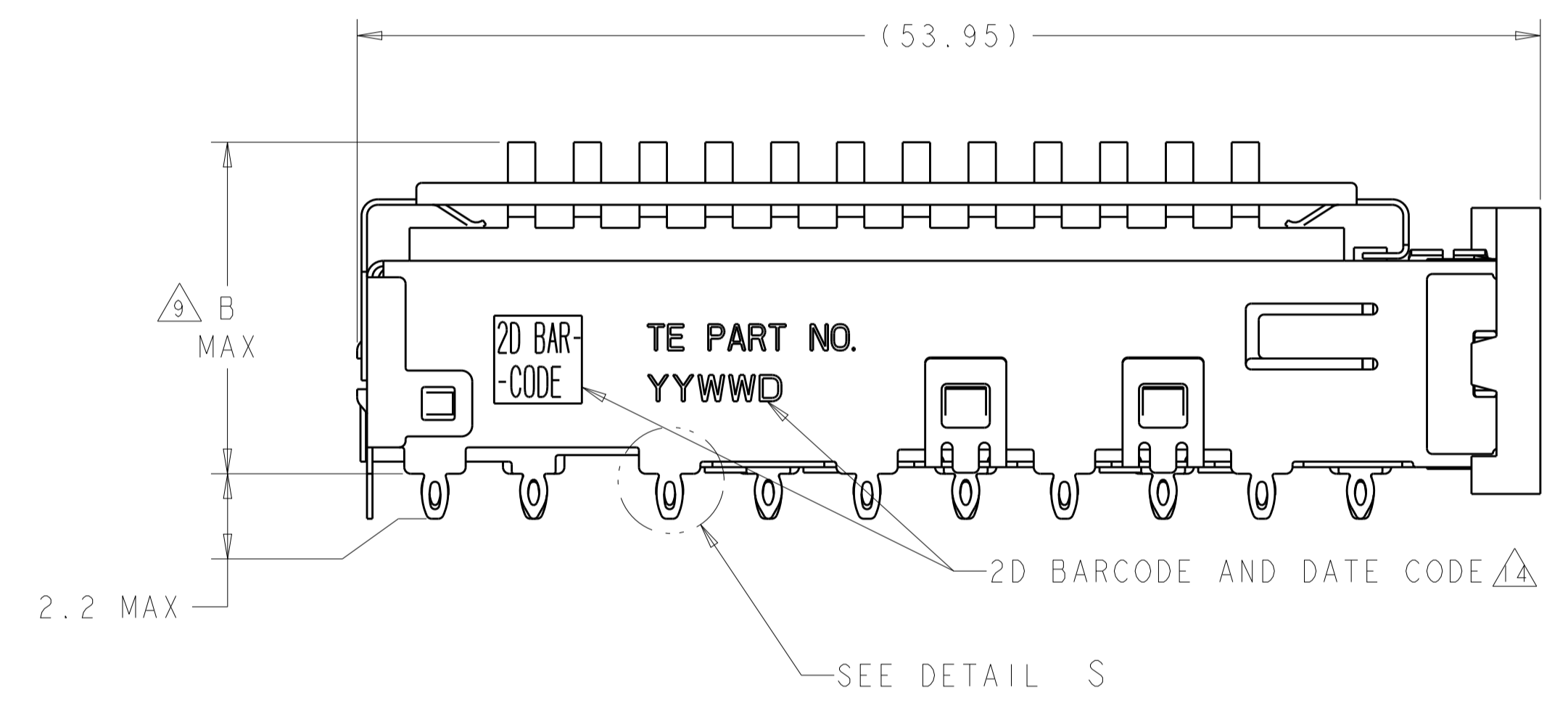


DETAIL S $\Delta 12$
 SCALE 20:1

- $\Delta 1$ MATERIALS:
 CAGE ASSEMBLY: NICKEL SILVER, 0.25 THICK
 EMI SPRINGS: COPPER ALLOY
 FRONT FLANGE: ZINC ALLOY
 HEAT SINK: ALUMINUM
 HEAT SINK CLIP: STAINLESS STEEL
- $\Delta 2$ PITCH BETWEEN PORTS OF ONE 1X3 CAGE ASSEMBLY.
- $\Delta 3$ SPACING BETWEEN CAGES ON THE SAME PC BOARD, TO BE SPECIFIED BY CUSTOMER, MUST COMPLY WITH MINIMUM DIMENSIONS SHOWN.
- $\Delta 4$ REFERENCE APPLICATION SPEC 114-13218 FOR RECOMMENDED DRILL HOLE DIAMETER AND PLATING THICKNESS.
- $\Delta 5$ DATUMS AND BASIC DIMENSIONS ESTABLISHED BY CUSTOMER.
- $\Delta 6$ DIMENSION C IS THE NOMINAL THICKNESS OF CUSTOMER SUPPLIED PC BOARD.
 MINIMUM SINGLE SIDED PC BOARD THICKNESS: 1.45mm
 MINIMUM DOUBLE SIDED PC BOARD THICKNESS: 2.2mm PER QSFP
- $\Delta 7$ HEAT SINKS AND CLIPS SHIPPED ASSEMBLED TO CAGE ASSEMBLY. CAGE ASSEMBLY MAY BE PRESSED INTO THE PCB AS SHIPPED.
- $\Delta 8$ DATUM -A- IS TOP SURFACE OF PC BOARD.
- $\Delta 9$ DIMENSION APPLIES WITH MODULE INSERTED IN CAGE.
- $\Delta 10$ UNPLATED THRU HOLE.

- $\Delta 3$ BASELINE FOR THESE DIMENSIONS IS THE CENTER OF COMPLIANT PIN HOLE.
- $\Delta 4$ 2D BARCODE AND DATE CODE (YYWW) MARKED ON SIDE OF CAGE.
- $\Delta 5$ REFERENCE APP SPEC 114-13218 FOR GASKET THICKNESS CALCULATION.
- $\Delta 6$ FINISH:
 EMI SPRINGS: 2 μ m MINIMUM TIN
 FRONT FLANGE: 3 μ m MINIMUM TIN OVER 1.27 μ m MINIMUM NICKEL OVER 5.08 μ m MINIMUM COPPER
 HEAT SINK: ANODIZED BLACK.

- 11. MATES WITH QSFP MSA COMPATIBLE TRANSCEIVER.
- $\Delta 12$ SURFACE TRACES PERMITTED WITHIN THIS AREA EXCEPT WHERE CAGE STANDOFFS, SHOWN IN DETAIL S, CONTACT PC BOARD.

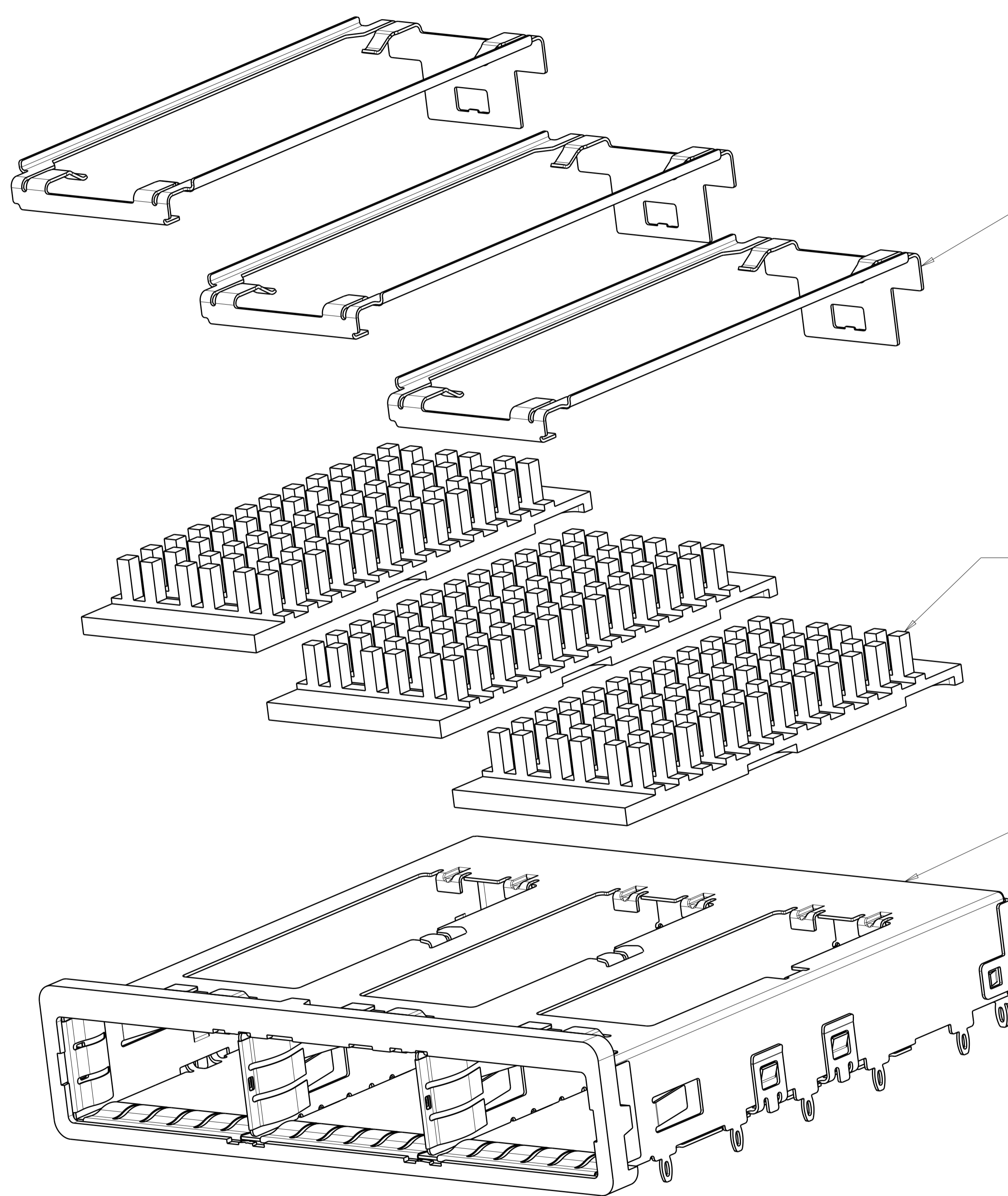


DESIGN APPROVED THIS PRINT IS
PRELIMINARY
 TO FIRST PIECE APPROVAL
 CONTACT PRODUCT ENGINEERING
 BEFORE USING THIS PRINT

16.8	CUSTOMERIZED	2007456-4
23.0	NETWORKING	2007456-3
16.0	SAN	2007456-2
13.7	PCI	2007456-1
B	HEAT SINK PROFILE	PART NUMBER

THIS DRAWING IS A CONTROLLED DOCUMENT.		DMN C. VALENTINE 07NOV2007	TE Connectivity NAME 1X3 CAGE ASSEMBLY, BEHIND BEZEL, W/ HEAT SINKS, QSFP
DIMENSIONS:		CHK E. BRIGHT 07NOV2007	
mm	TOLERANCES UNLESS OTHERWISE SPECIFIED:	APVD E. BRIGHT 07NOV2007	PRODUCT SPEC
0 PLC	±	108-2286	APPLICATION SPEC
1 PLC	±0.1	114-13218	WEIGHT
2 PLC	±0.1		SCALE 4:1 SHEET 1 OF 5 REV F
3 PLC	±		
4 PLC	±		
ANGLES	±		
MATERIAL	FINISH		
	$\Delta 16$		

LOC	DIST	REVISIONS			
P	LTN	DESCRIPTION	DATE	DWN	APVD
-	-	SEE SHEET 1	-	-	-



HEAT SINK CLIP Δ
 QUANTITY: 3

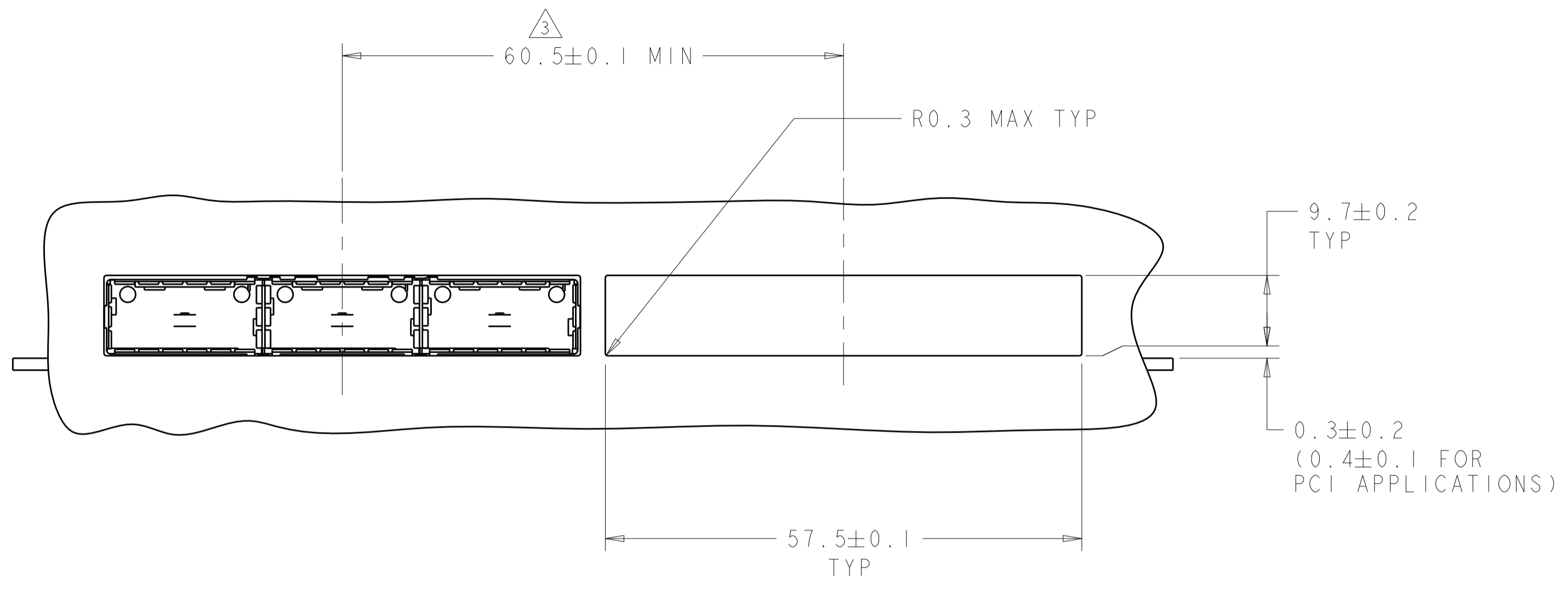
72 PIN HEAT SINK Δ
 QUANTITY: 3

1X3 BEHIND BEZEL QSFP
 CAGE ASSEMBLY
 QUANTITY: 1

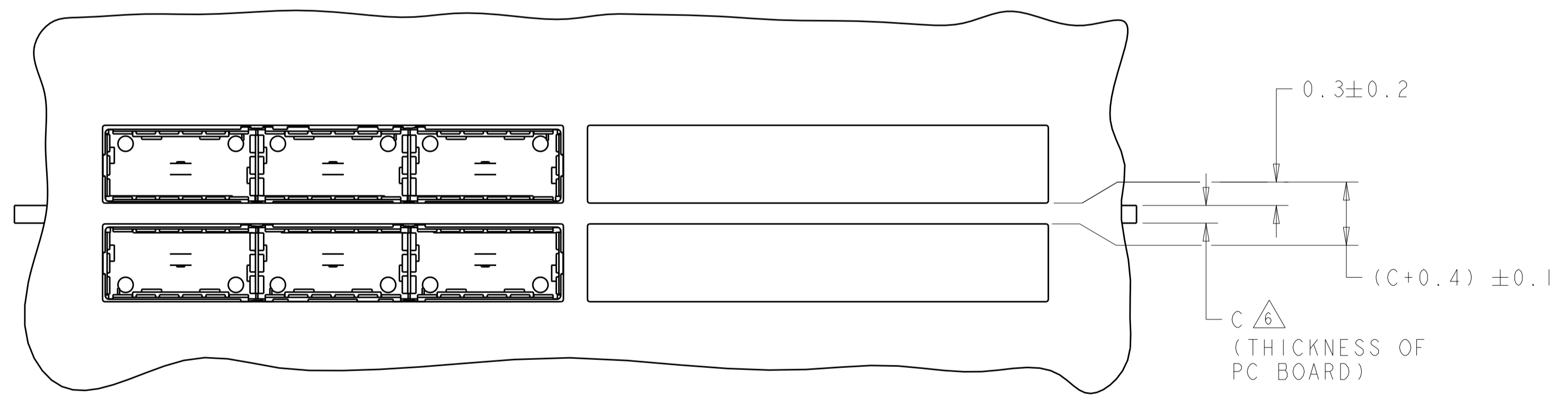
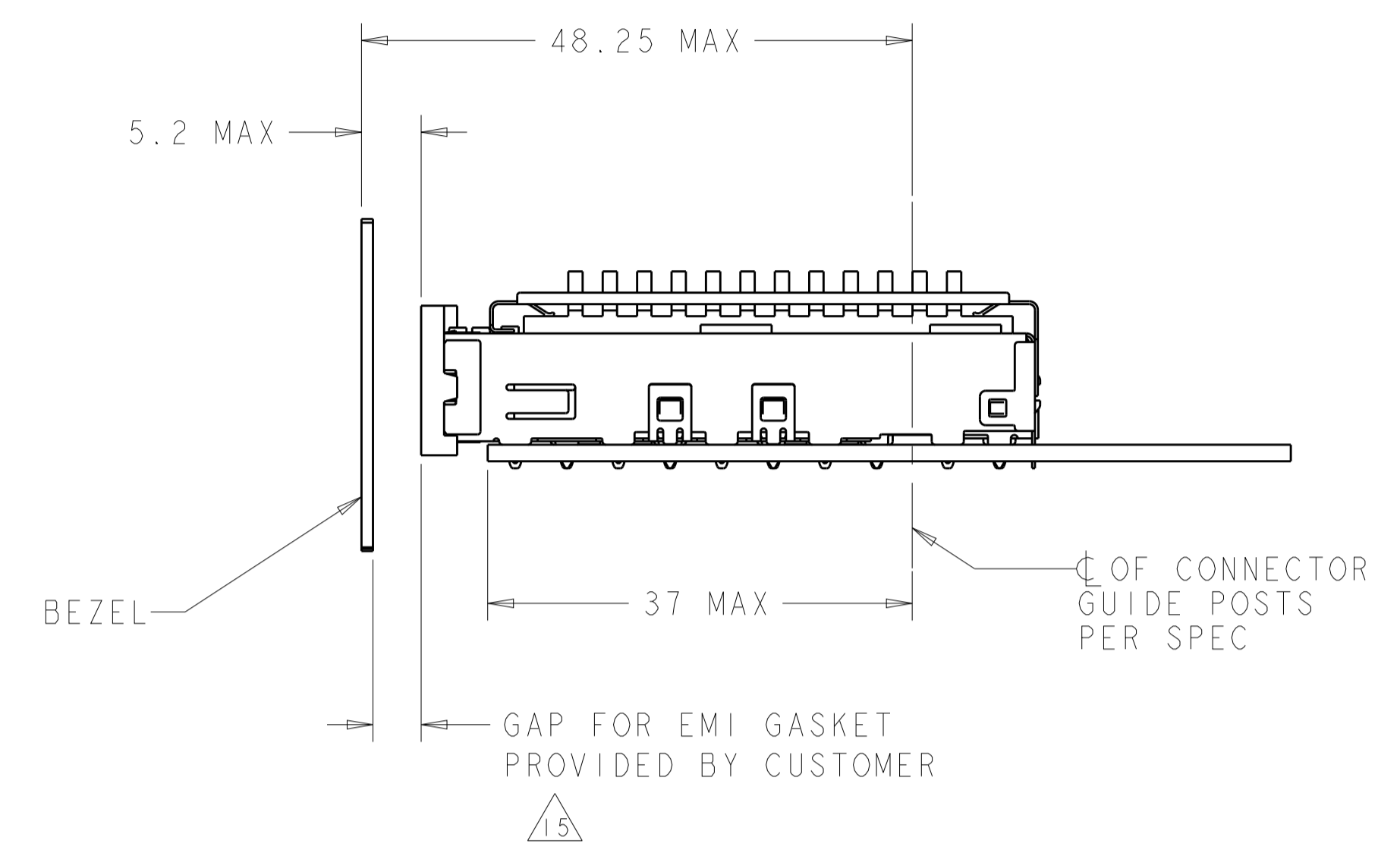
DESIGN APPROVED THIS PRINT IS
PRELIMINARY
 TO FIRST PIECE APPROVAL
 CONTACT PRODUCT ENGINEERING
 BEFORE USING THIS PRINT

THIS DRAWING IS A CONTROLLED DOCUMENT.		DWN C. VALENTINE 07NOV2007	TE Connectivity
DIMENSIONS:		CHK E. BRIGHT 07NOV2007	
mm	TOLERANCES UNLESS OTHERWISE SPECIFIED:	APVD E. BRIGHT 07NOV2007	NAME 1X3 CAGE ASSEMBLY, BEHIND BEZEL, W/ HEAT SINKS, QSFP
0 PLC	±	PRODUCT SPEC	SIZE A100779C=2007456
1 PLC	±0.1	108-2286	RESTRICTED TO
2 PLC	±0.1	APPLICATION SPEC	
3 PLC	±	114-13218	
4 PLC	±	WEIGHT	
ANGLES	±	CUSTOMER DRAWING	SCALE 4:1 SHEET 2 OF 5 REV F
MATERIAL	FINISH		

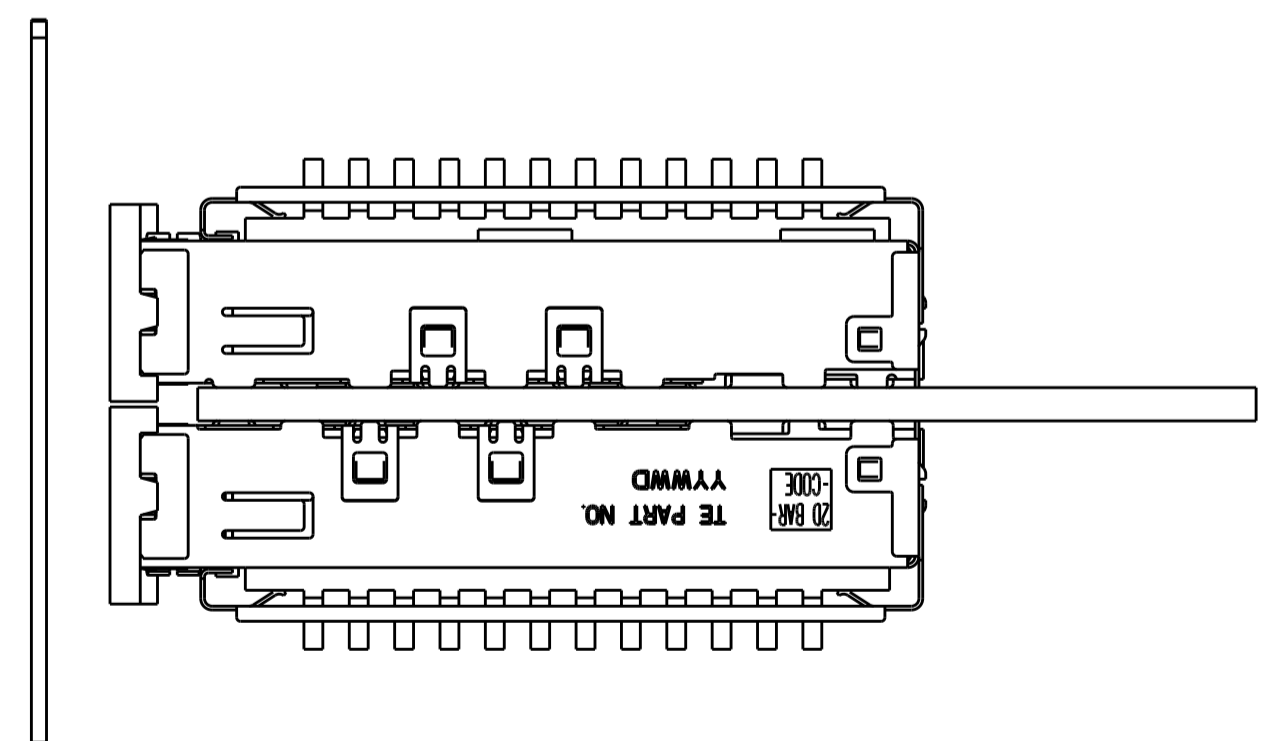
LOC	DIST	REVISIONS			
P	LTN	DESCRIPTION	DATE	DMN	APVD
GP	00	SEE SHEET 1	-	-	-



ONE SIDED CONFIGURATION
 SCALE 2:1



BELLY TO BELLY CONFIGURATION SIMILAR
 TO ONE SIDED EXCEPT WHERE NOTED
 SCALE 2:1

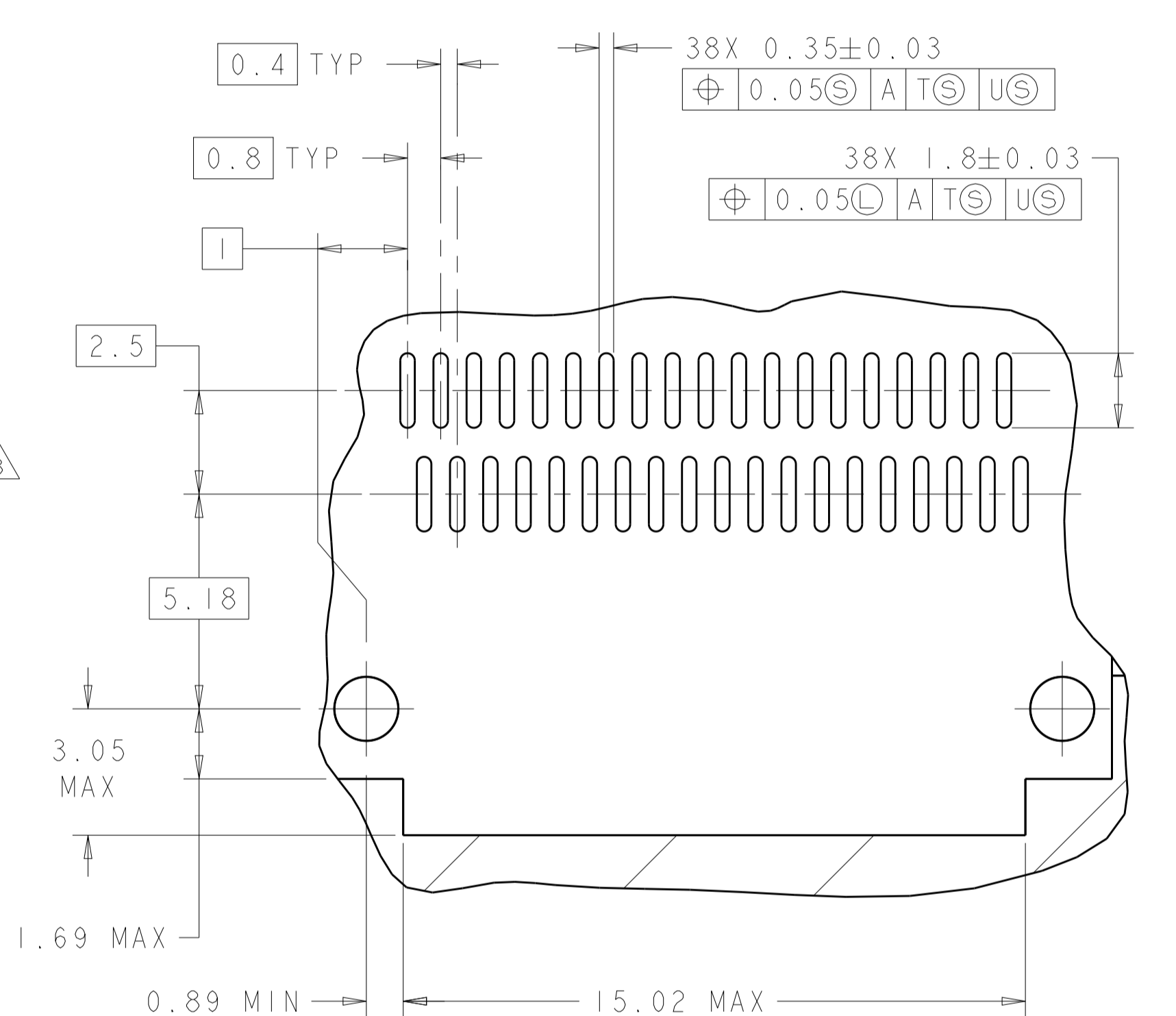
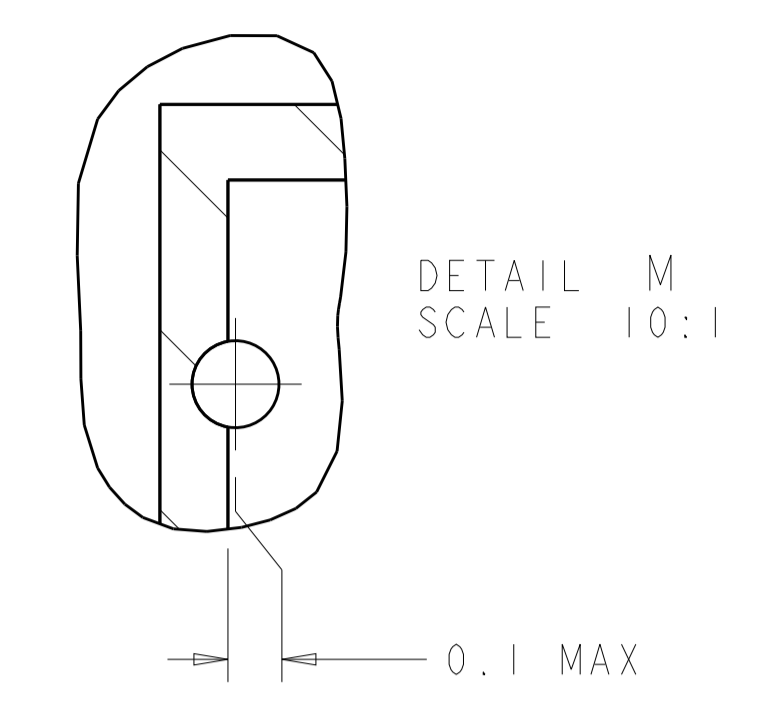
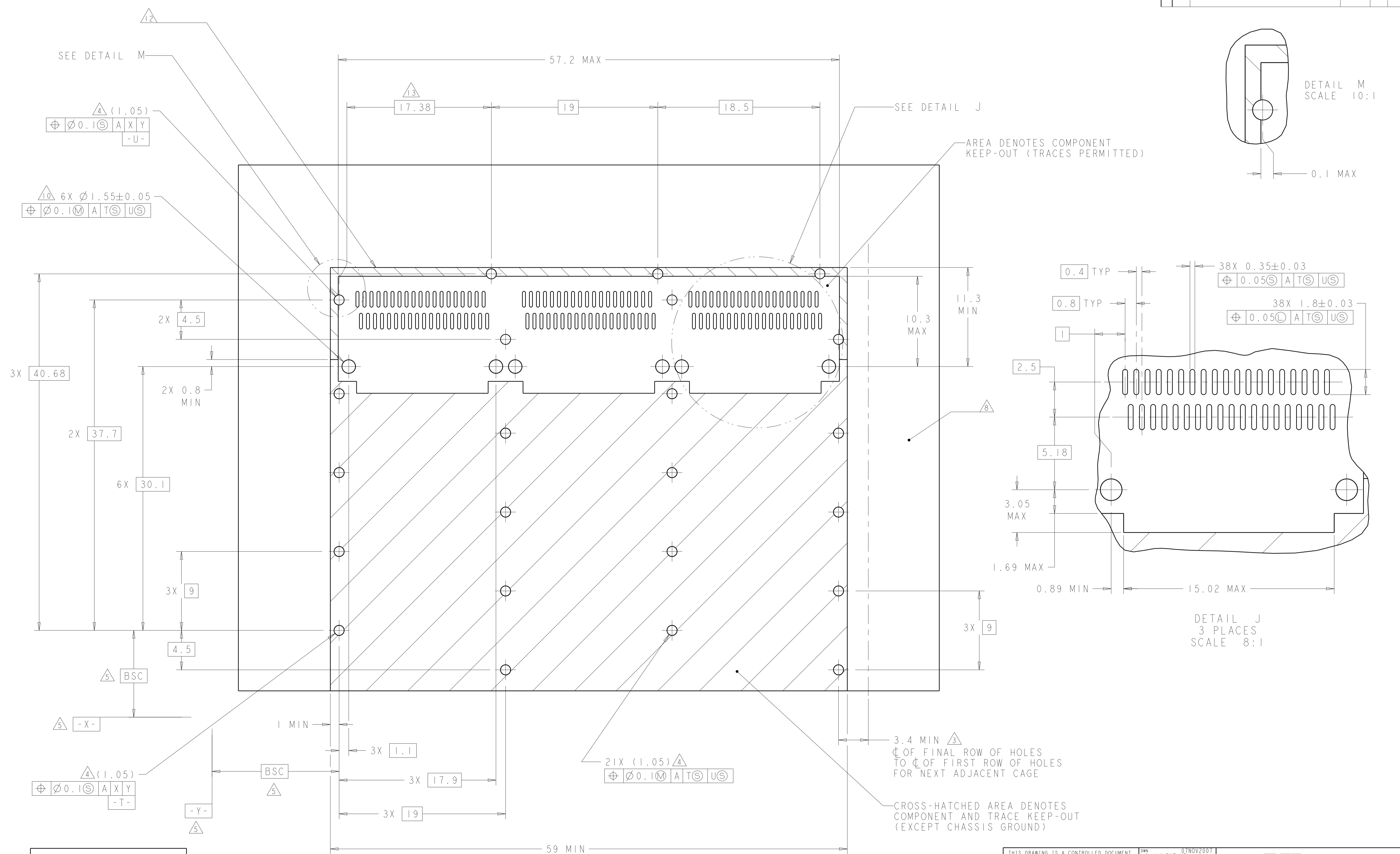


DESIGN APPROVED THIS PRINT IS
PRELIMINARY
 TO FIRST PIECE APPROVAL
 CONTACT PRODUCT ENGINEERING
 BEFORE USING THIS PRINT

THIS DRAWING IS A CONTROLLED DOCUMENT.		DMN C. VALENTINE 07NOV2007	TE Connectivity NAME 1X3 CAGE ASSEMBLY, BEHIND BEZEL, W/ HEAT SINKS, QSFP
DIMENSIONS:		CHK E. BRIGHT 07NOV2007	
mm	TOLERANCES UNLESS OTHERWISE SPECIFIED:	APVD E. BRIGHT 07NOV2007	PRODUCT SPEC
0 PLC	±	PRODUCT SPEC	108-2286
1 PLC	±0.1	APPLICATION SPEC	114-13218
2 PLC	±0.1	WEIGHT	-
3 PLC	±	CUSTOMER DRAWING	SCALE 4:1 SHEET 3 OF 5 REV F
4 PLC	±		
ANGLES	±		
MATERIAL	FINISH		

LOC	DIST	REV	DATE	BY	APPV
GP	00				

REVISIONS			
NO.	DESCRIPTION	DATE	BY
1	SEE SHEET 1		



DESIGN APPROVED THIS PRINT IS
PRELIMINARY
 TO FIRST PIECE APPROVAL
 CONTACT PRODUCT ENGINEERING
 BEFORE USING THIS PRINT

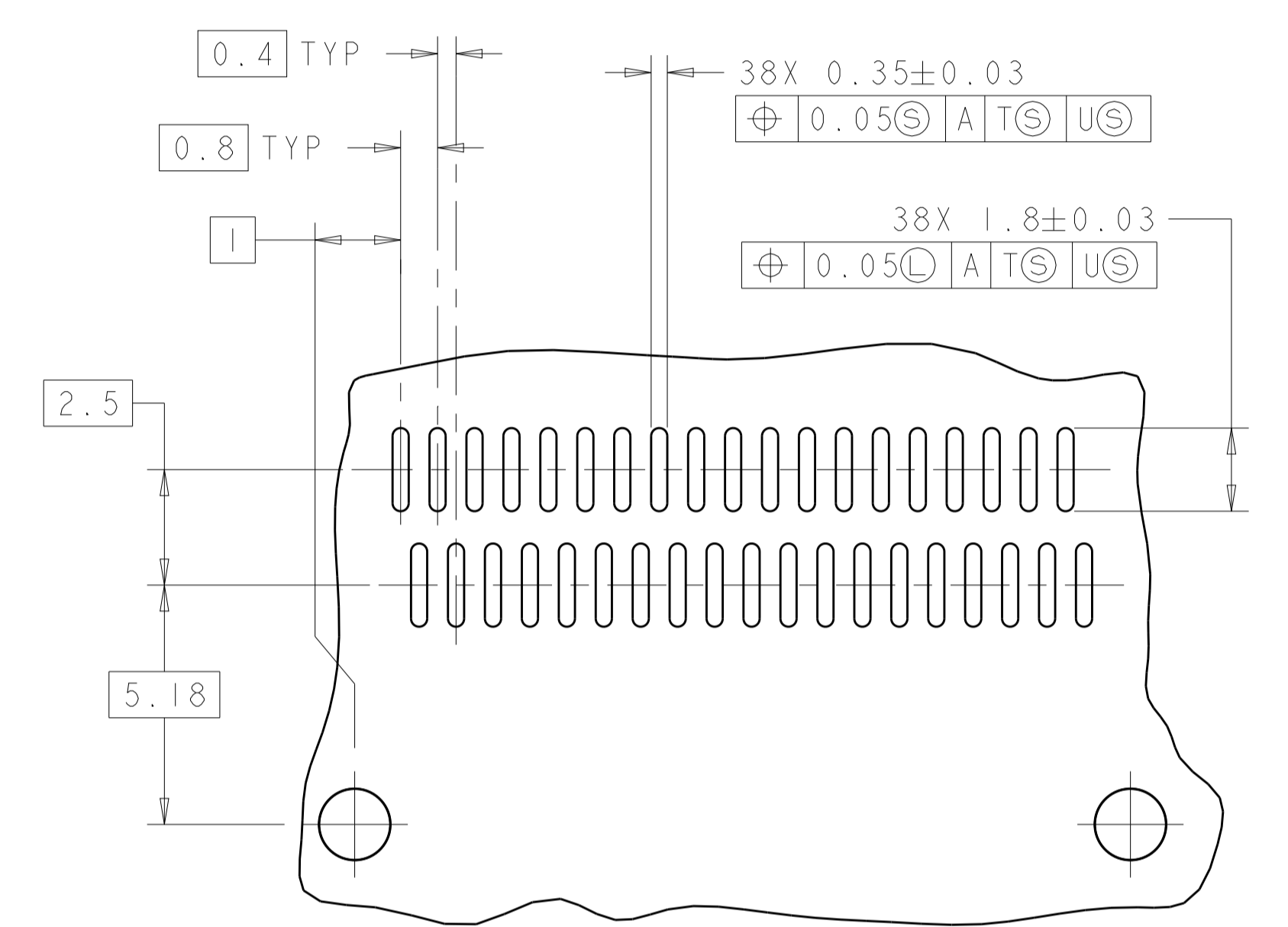
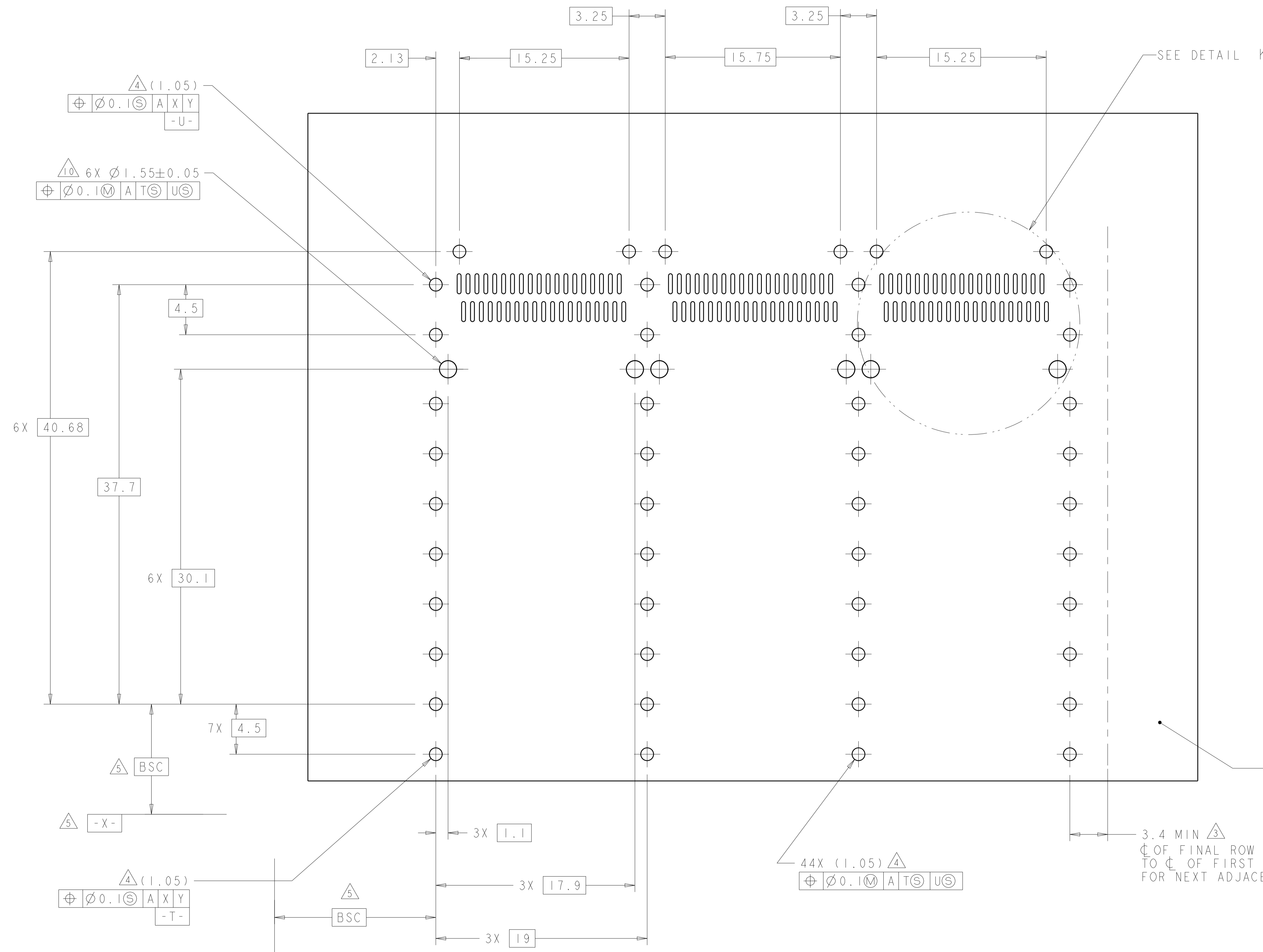
RECOMMENDED PC BOARD LAYOUT
 SINGLE SIDE MOUNT CONFIGURATION
 SCALE 5:1

3.4 MIN Δ
 ϕ OF FINAL ROW OF HOLES
 TO ϕ OF FIRST ROW OF HOLES
 FOR NEXT ADJACENT CAGE

CROSS-HATCHED AREA DENOTES
 COMPONENT AND TRACE KEEP-OUT
 (EXCEPT CHASSIS GROUND)

THIS DRAWING IS A CONTROLLED DOCUMENT.		DWN C. VALENTINE 07NOV2007	TE Connectivity
DIMENSIONS: mm		CHK E. BRIGHT 07NOV2007	
TOLERANCES UNLESS OTHERWISE SPECIFIED:		APVD E. BRIGHT 07NOV2007	NAME 1X3 CAGE ASSEMBLY, BEHIND BEZEL, W/ HEAT SINKS, QSFP
0 PLC	±	PRODUCT SPEC	SIZE 114-13218
1 PLC	±0.1	APPLICATION SPEC	RESTRICTED TO
2 PLC	±0.1	108-2286	
3 PLC	±	114-13218	
4 PLC	±	WEIGHT	
ANGLES	±		
MATERIAL	FINISH		
		CUSTOMER DRAWING	SCALE 4:1 SHEET 4 OF 5 REV F

LOC	DIST	REVISIONS					
GP	00	P	LTN	DESCRIPTION	DATE	DMN	APVD
-	-	-	-	SEE SHEET 1	-	-	-



DETAIL K
 3 PLACES
 SCALE 8:1

RECOMMENDED PC BOARD LAYOUT
 BELLY TO BELLY CONFIGURATION
 SEE SHEET 4 FOR COMPONENT
 AND TRACE KEEP-OUTS
 SCALE 5:1

DESIGN APPROVED THIS PRINT IS
PRELIMINARY
 TO FIRST PIECE APPROVAL
 CONTACT PRODUCT ENGINEERING
 BEFORE USING THIS PRINT

THIS DRAWING IS A CONTROLLED DOCUMENT.		DMN C. VALENTINE 07NOV2007	TE Connectivity NAME 1X3 CAGE ASSEMBLY, BEHIND BEZEL, W/ HEAT SINKS, QSFP
DIMENSIONS:		CHK E. BRIGHT 07NOV2007	
mm	TOLERANCES UNLESS OTHERWISE SPECIFIED:	APVD E. BRIGHT 07NOV2007	PRODUCT SPEC
Ø	0 PLC ±	APPLICATION SPEC	108-2286
	1 PLC ±0.1	APPLICATION SPEC	114-13218
	2 PLC ±0.1	WEIGHT	-
	3 PLC ±	CUSTOMER DRAWING	SCALE 4:1 SHEET 5 OF 5 REV F
	4 PLC ±		
	ANGLES ±		
MATERIAL	FINISH		

Mouser Electronics

Authorized Distributor

Click to View Pricing, Inventory, Delivery & Lifecycle Information:

[TE Connectivity:](#)

[2007456-3](#)