



ETA-USA

HIGH QUALITY SWITCHING POWER SUPPLIES

AC/DC SWITCHING POWER SUPPLY
AC INPUT 85~264
SINGLE CHANNEL OUTPUT
300 WATTS

FHF-SX-U1 SERIES



General Description

FH-Series is a new generation of power supplies. It's the latest design following international standards and market demands. This type of power supply has all in one: These supplies incorporate Power Factor Correction (PFC), low line distortion per IEC61000-3-2 and universal inputs. (EMI) complies with VDE 0871/B, EN50022/B, FCC level B. Safety complies with VDE/EN 60950-1, CSA 234. Size is compatible with WR-series. High efficiency and near unity power factor: an optimal combination of cost and performance for both power user and supplier.

Application

Industrial

Input

Input Voltage Nominal:	AC115-230V
Input Voltage Range:	AC85-264V
Input Current:	2.4-4.9A
Frequency:	50/60Hz
Input Frequency Range:	47-63Hz
Phase:	Single
Inrush Current: *1	12A(max.) at AC115V 24A(max.) at AC230V
Leakage Current:	1mA(maximum) at 25°C (rated input/output and rated input frequency)

Features

1. Power factor correction
2. Power factor > .98
3. Immunity against surge and burst

Options

N/A

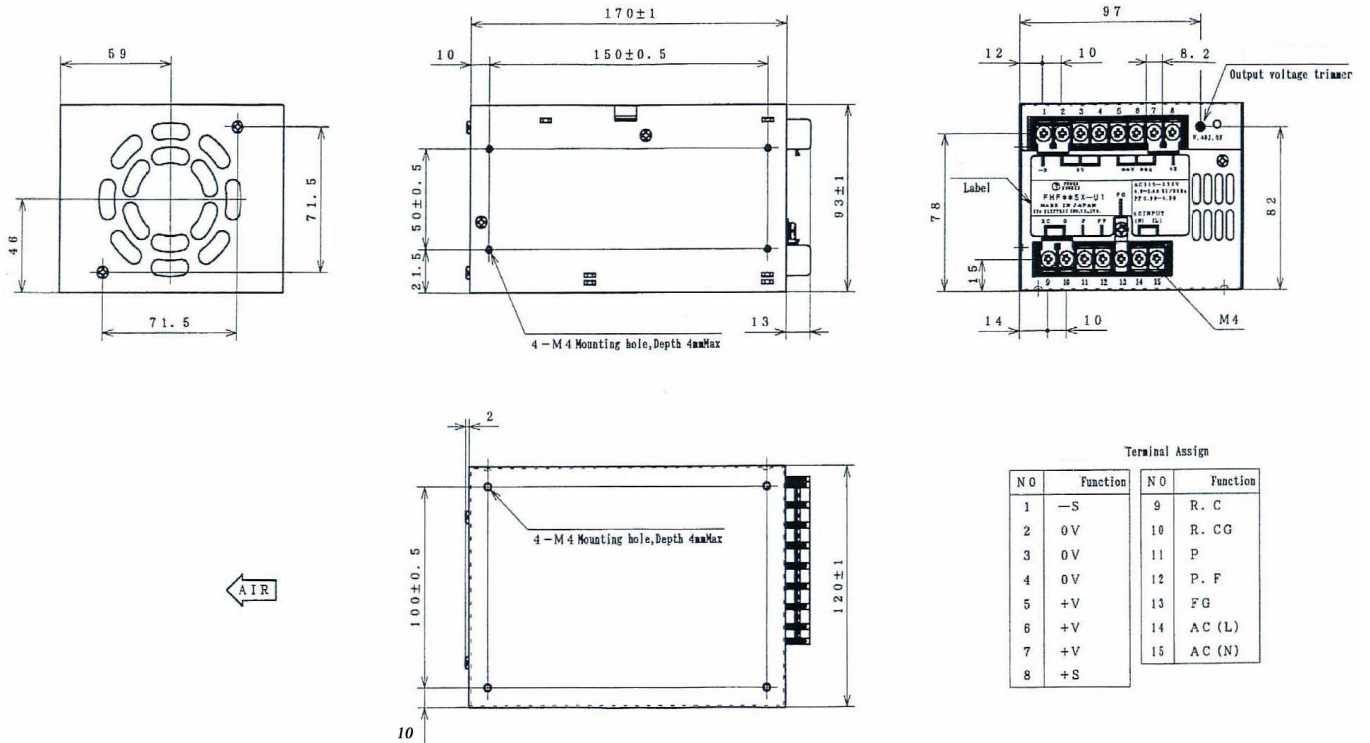




ETA-USA

HIGH QUALITY SWITCHING POWER SUPPLIES

DIMENSION DIAGRAM(mm)



Terminal Assign

N0	Function	N0	Function
1	-S	9	R. C
2	0V	10	R. CG
3	0V	11	P
4	0V	12	P. F
5	+V	13	FG
6	+V	14	AC (L)
7	+V	15	AC (N)
8	+S		

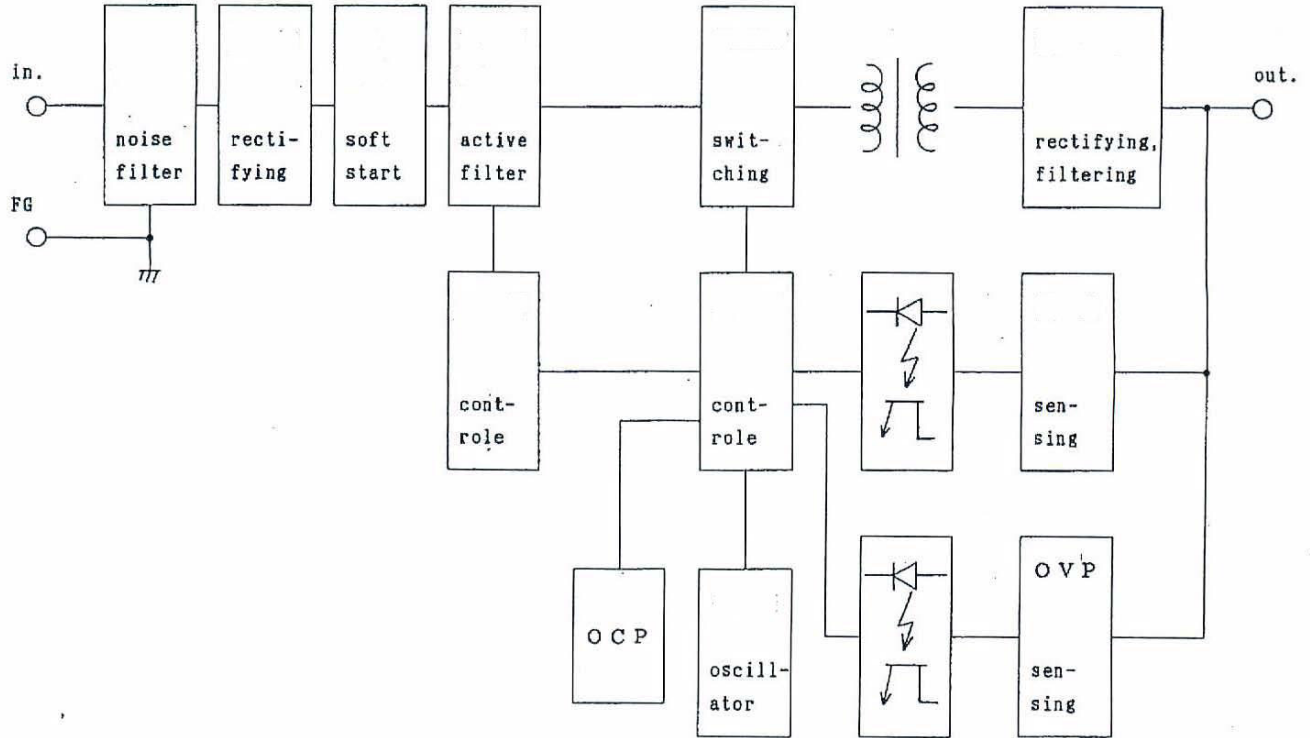




ETA-USA

HIGH QUALITY SWITCHING POWER SUPPLIES

BLOCK DIAGRAM



** Note: All FHF series have "- U1" suffix



ETA USA
16170 Vineyard Blvd. Suite 180, Morgan Hill, CA 95037
Phone: 1-800-ETA-POWR, (408) 778-2793 Fax: (408) 779-2753

Visit us at: www.eta-usa.com
email at: sales@eta-usa.com



ETA-USA

HIGH QUALITY SWITCHING POWER SUPPLIES

Environmental Specification	
Operating Temperature	- 5 to +50° C
Operating Humidity	30 to 85%/RH(non - condensing)
Storage Temperature	- 20 to +85° C
Storage Humidity	10 to 85%/RH(non - condensing)
Withstanding Voltage	Primary - Secondary AC3,000V for 1minute Primary - Frame Ground AC2,500V for 1minute Secondary- Frame Ground AC500V for 1minute
Isolation Resistance	Primary - Secondary- Frame Ground 50MΩ(minimum) by DC500V insulation tester
Vibration	5- 10Hz:10mm double amplitude,10- 55Hz:19.6m/s ² ,20minutes' period for 60minutes each along X,Y,Z axes(non - operating)
Shock	294m/s ²
Cooling	Convection
Environmental Agencies	
Line Conducted Noise	Built to meet FCC Part15 - B Class B Built to meet VCCI Class B Built to meet VDE0801 Class B
Line Harmonic Distortion	Built to meet IEC61000 - 3- 2
Safety	UL:60950 - 1 2 nd edition C- UL: CSA C22.2 No.950 VDE EN60950 - 1 2006, IEC950, VDE0805
MTBF [H]	130,000
Switching Frequency[kHz]	100(typ.)
Function/Protection	
Over current Protection	Available, automatic return at rated 110%
Over voltage Protection	Available, automatic return at rated 110%
Remote Sense	Available
Remote On/Off	Available
Power Fail Detection	
Series Operation	Available
Parallel Operation	Available
Mechanical	
Dimension [mm]	~119.9 x 169.9 x 93.0
Weight [g](typical)	1900g

Conditions:

*1 cold start

*2 measured by a bayonet probe at the output connector at a 0 to 100MHz bandwidth

*3 when output current changed from 50% to 150% of rated output current rapidly at rated input

*4 at - 10 to +50° C

*5 for 7hour period after 1hour warm-up at 25° C and rated input/output

*6 safety approved at 25° C



ETA USA

16170 Vineyard Blvd. Suite 180, Morgan Hill, CA 95037
Phone: 1-800-ETA-POWR, (408) 778-2793 Fax: (408) 779-2753

Visit us at: www.eta-usa.com
email at: sales@eta-usa.com

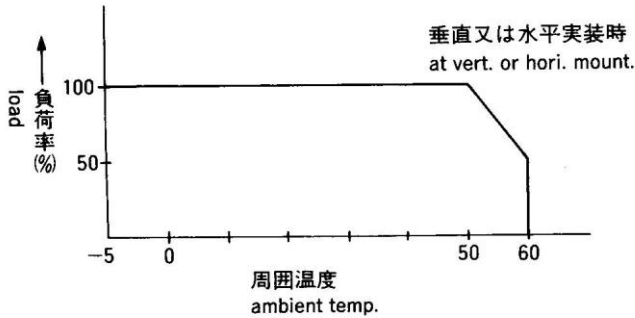


ETA-USA

HIGH QUALITY SWITCHING POWER SUPPLIES

DERATING CURVE

OUTPUT DERATING

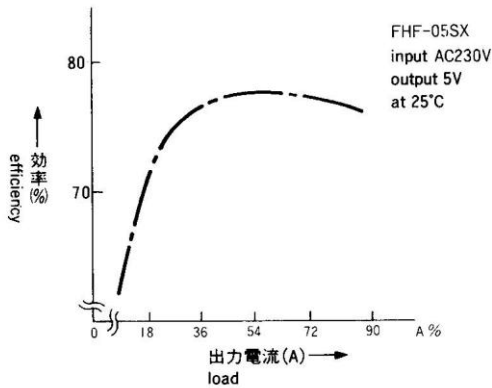
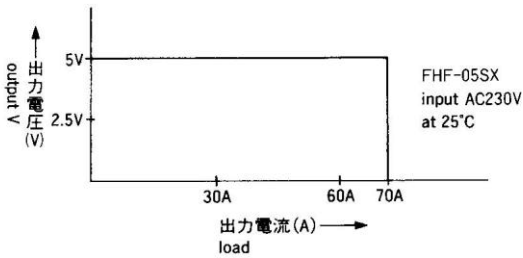


*安全規格取得条件については、都度ご確認ください。
for further information contact safety approvals.

EFFICIENCY CURVE

OCP CURVE

Load & Output V.



Mouser Electronics

Authorized Distributor

Click to View Pricing, Inventory, Delivery & Lifecycle Information:

[ETA-USA:](#)

[FHF30SX-U](#) [FHF06SX-U](#) [FHF3.3SX-U](#) [FHF36SX-U](#) [FHF48SX-U](#) [FHF12SX-U](#) [FHF24SX-U](#) [FHF05SX-U](#)
[FHF15SX-U](#)