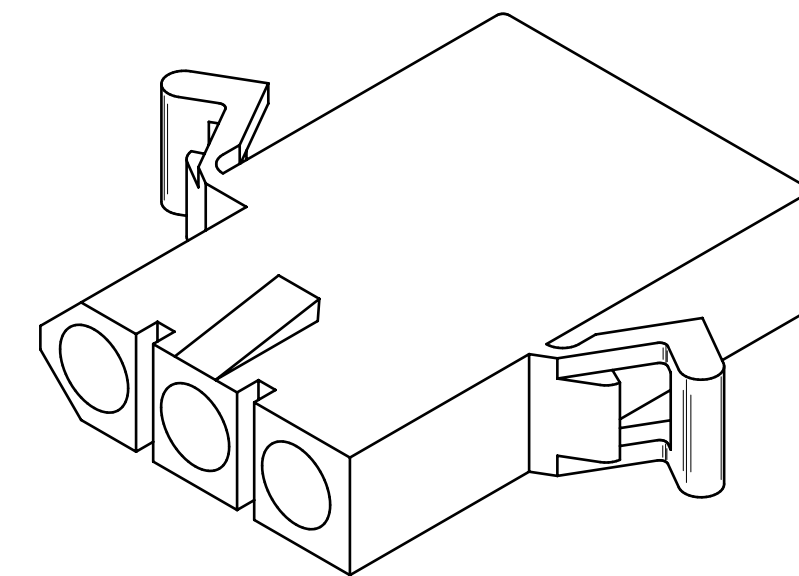
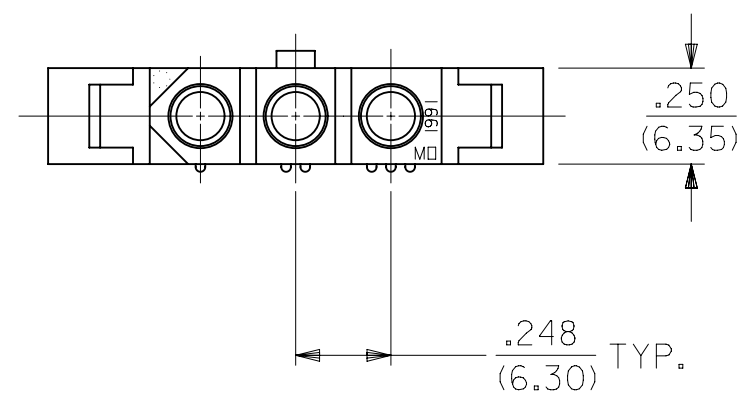
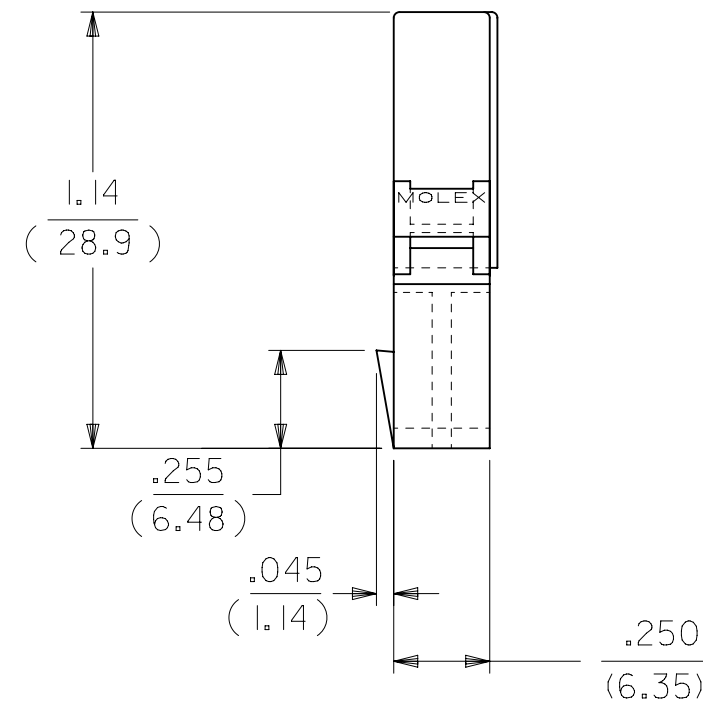
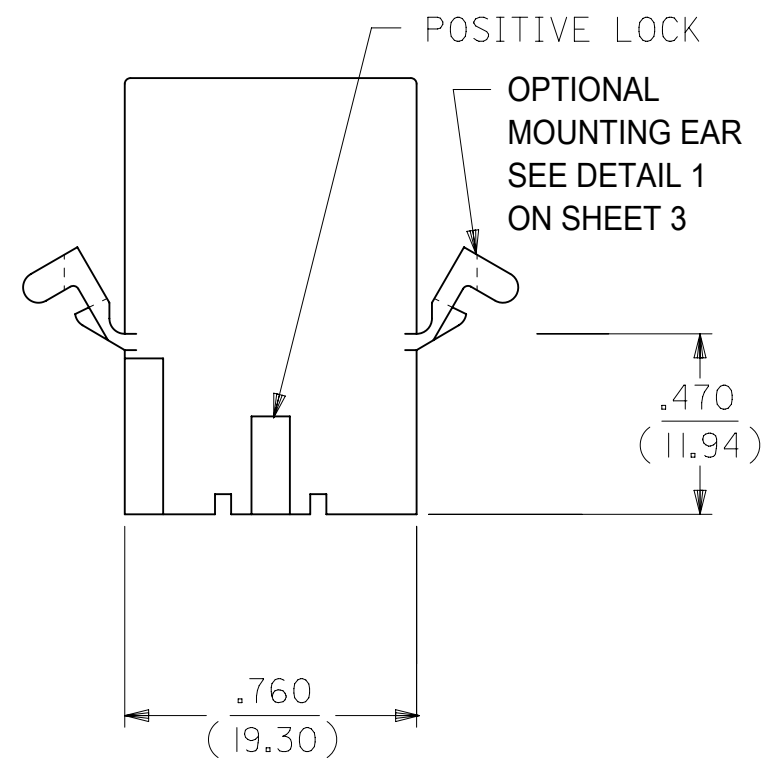
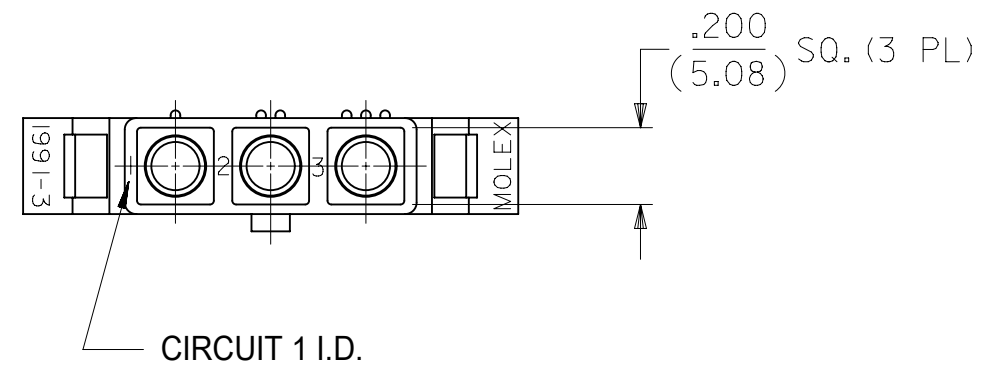


PLUG HOUSING

THIS DRAWING CONTAINS INFORMATION THAT IS PROPRIETARY TO MOLEX ELECTRONIC TECHNOLOGIES, LLC AND SHOULD NOT BE USED WITHOUT WRITTEN PERMISSION											
DIMENSION UNITS		SCALE		CURRENT REV DESC:				molex			
IN/MM		2:1									
GENERAL TOLERANCES (UNLESS SPECIFIED)				EC NO: 624787		2019/05/16		.093/(2.36) HOUSINGS, PLUG AND RECEPTACLE, 3 CKT, .248/(6.30) CTRS			
4 PLACES		±		DRWN: RPRABHUM		2019/11/11					
3 PLACES		± 0.005		CHK'D: GGA		2019/11/11		PRODUCT CUSTOMER DRAWING			
2 PLACES		± 0.13 ± 0.01		APPR: GGA		2019/11/11					
1 PLACE		± 0.25 ±		INITIAL REVISION:				DOCUMENT NUMBER			
0 PLACES		±		DRWN: GEP		1988/03/07				SD-1991-3X	
ANGULAR TOL		± 1.0 °		APPR: FSMITH		2014/06/10		DOC TYPE			
DRAFT WHERE APPLICABLE MUST REMAIN WITHIN DIMENSIONS				THIRD ANGLE PROJECTION		DRAWING		SERIES		MATERIAL NUMBER	
						C-SIZE		1991		CUSTOMER	
								GENERAL MARKET		SHEET NUMBER	
								SEE CHART		1 OF 3	



RECEPTACLE HOUSING

THIS DRAWING CONTAINS INFORMATION THAT IS PROPRIETARY TO MOLEX ELECTRONIC TECHNOLOGIES, LLC AND SHOULD NOT BE USED WITHOUT WRITTEN PERMISSION													
DIMENSION UNITS		SCALE		CURRENT REV DESC:									
IN/MM		2:1		<p>molex</p> <p>.093/(2.36) HOUSINGS, PLUG AND RECEPTACLE, 3 CKT, .248/(6.30) CTRS</p> <p>PRODUCT CUSTOMER DRAWING</p> <p>DOCUMENT NUMBER: SD-1991-3X DOC TYPE: PSD DOC PART: 001 REVISION: Y</p> <p>MATERIAL NUMBER: SEE CHART CUSTOMER: GENERAL MARKET SHEET NUMBER: 2 OF 3</p>									
GENERAL TOLERANCES (UNLESS SPECIFIED)										EC NO: 624787		2019/05/16	
4 PLACES		±								DRWN: RPRABHUM		2019/11/11	
3 PLACES		± 0.005								CHK'D: GGA		2019/11/11	
2 PLACES		± 0.13 ± 0.01								APPR: GGA		2019/11/11	
1 PLACE		± 0.25 ±		INITIAL REVISION:									
0 PLACES		±		DRWN: GEP		1988/03/07							
ANGULAR TOL		± 1.0 °		APPR: FSMITH		2014/06/10							
DRAFT WHERE APPLICABLE MUST REMAIN WITHIN DIMENSIONS				THIRD ANGLE PROJECTION		DRAWING		SERIES					
				C-SIZE		1991							

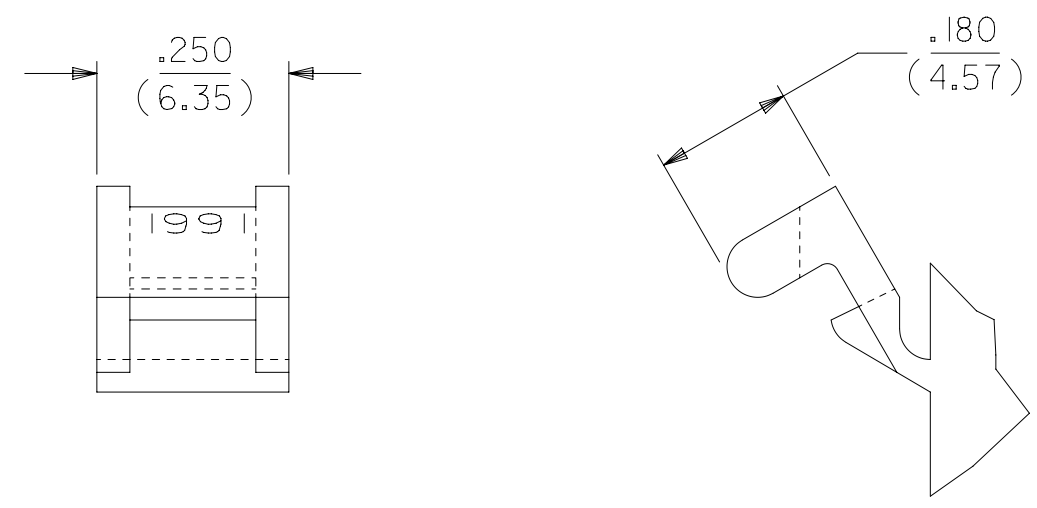
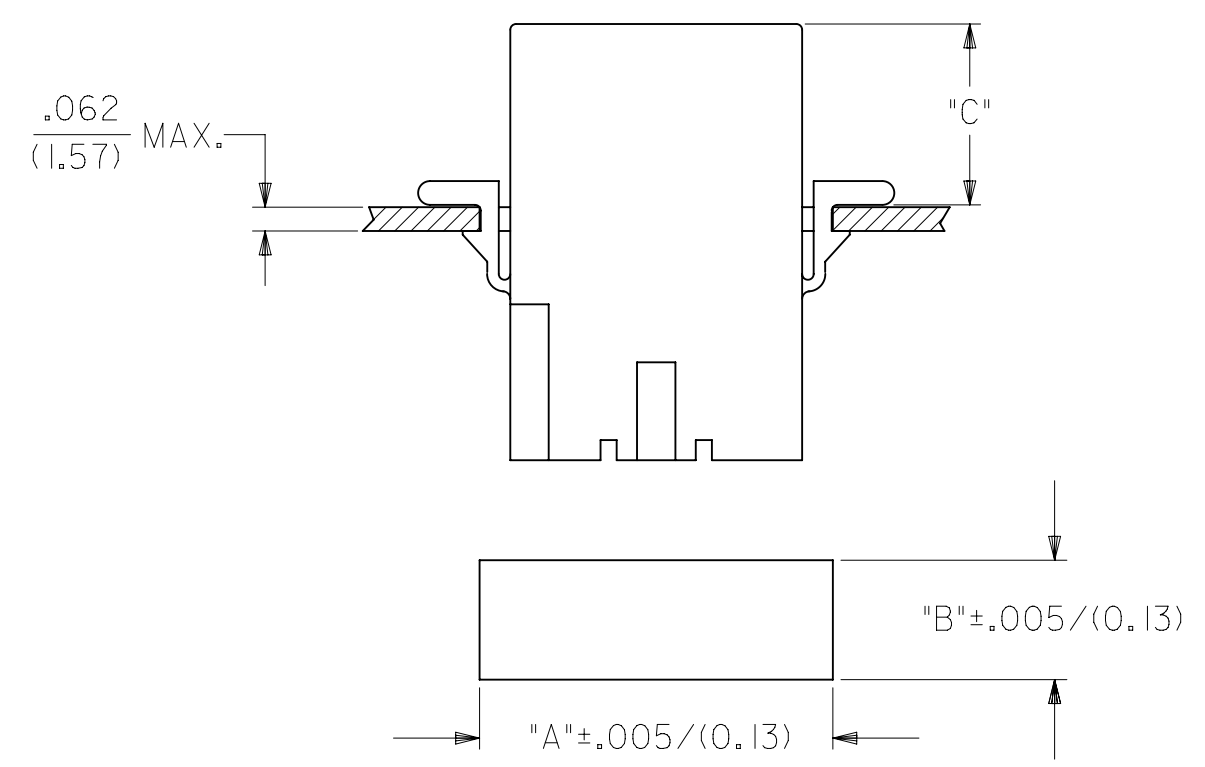
PLUG		
PART NO.	ENG. NO.	PKG. INFORMATION
19-09-2031	1991-3P	PK-1991-001
19-09-7031	1991-3PBK	PK-1991-001
19-09-7032	1991-3P IBK	PK-1991-001
19-09-2032	1991-3P I	PK-1991-002
19-09-7034	1991-3P IOR	PK-1991-001

LEGEND:

1991-3***
 CIRCUIT SIZE
 P = PLUG
 R = RECEPTACLE
 BLANK = PREBENT EARS
 PER DETAIL I
 I = WITHOUT EARS

RECEPTACLE		
PART NO.	ENG. NO.	PKG. INFORMATION
19-09-6031	1991-3RBK	PK-1991-001
19-09-6032	1991-3R IBK	PK-1991-001

COLOR: BLANK=NATURAL COLOR
 AM=AMBER BK=BLACK BU=BLUE
 BN=BROWN GY=GRAY GN=GREEN
 OR=ORANGE RD=RED YW=YELLOW



DETAIL I
 PREBENT MOUNTING EAR
 (SCALE 4:1)

HOUSING	DIM. "A"	DIM. "B"	DIM. "C" STD. EAR	DIM. "C" PREBENT
PLUG	1.022/(25.96)	.365/(9.27)	.48/(12.2)	.52/(13.2)
RECEPTACLE	.920/(23.37)	.311/(7.90)	.47/(11.9)	.51/(12.9)

- NOTES:
1. MATERIAL: NYLON TYPE 6/6, 94V-2.
 2. FINISH: NOT APPLICABLE
 3. PRODUCT SPECIFICATION: PS-02-09
 4. PACKAGING SPECIFICATION: SEE CHART
 5. ACCEPTS MOLEX .093/(2.36) SERIES TERMINALS.
 6. PARTS CONFORM TO CLASS B REQUIREMENTS OF COSMETIC SPECIFICATION PS-45499-002.

THIS DRAWING CONTAINS INFORMATION THAT IS PROPRIETARY TO MOLEX ELECTRONIC TECHNOLOGIES, LLC AND SHOULD NOT BE USED WITHOUT WRITTEN PERMISSION									
DIMENSION UNITS IN/MM		SCALE 2:1		CURRENT REV DESC:				molex	
GENERAL TOLERANCES (UNLESS SPECIFIED)				EC NO: 624787					
4 PLACES	±	MM	INCH	DRWN: RPRABHUM		2019/05/16		.093/(2.36) HOUSINGS, PLUG AND RECEPTACLE, 3 CKT, .248/(6.30) CTRS	
3 PLACES	±		± 0.005	CHK'D: GGA		2019/11/11			
2 PLACES	±	0.13	± 0.01	APPR: GGA		2019/11/11		PRODUCT CUSTOMER DRAWING	
1 PLACE	±	0.25	±	INITIAL REVISION:				DOCUMENT NUMBER	
0 PLACES	±		±	DRWN: GEP		1988/03/07		SD-1991-3X	
ANGULAR TOL ± 1.0 °				APPR: FSMITH		2014/06/10		DOC TYPE DOC PART REVISION	
DRAFT WHERE APPLICABLE MUST REMAIN WITHIN DIMENSIONS		THIRD ANGLE PROJECTION		DRAWING		SERIES		MATERIAL NUMBER CUSTOMER SHEET NUMBER	
		C-SIZE		1991		SEE CHART		GENERAL MARKET 3 OF 3	