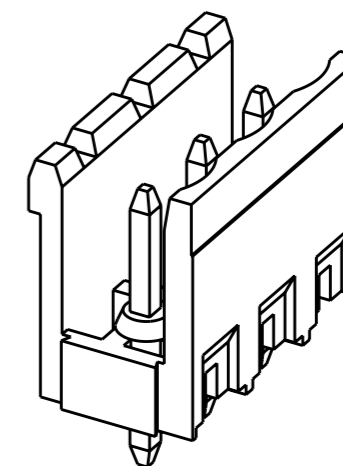
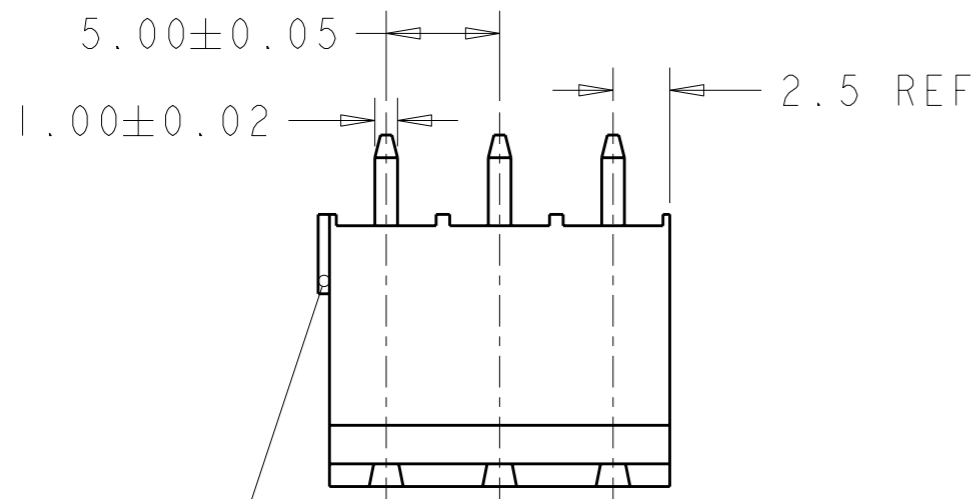


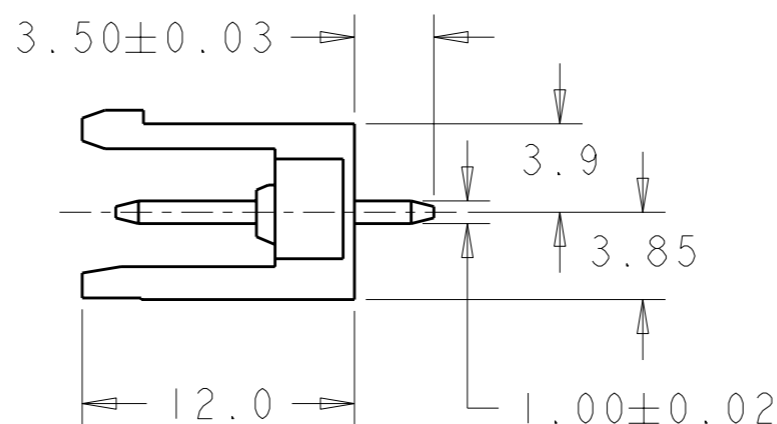
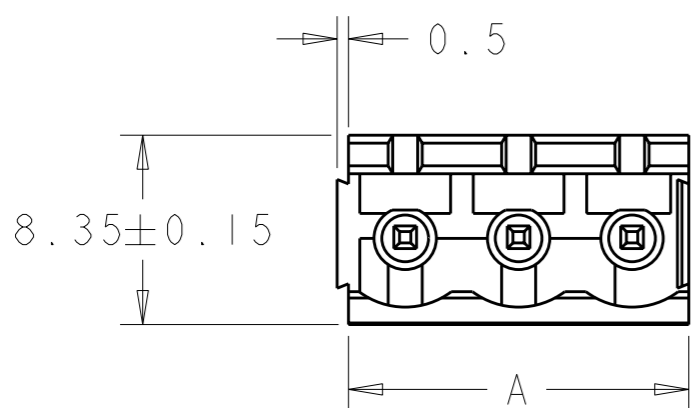
THIS DRAWING IS UNPUBLISHED. RELEASED FOR PUBLICATION 20

© COPYRIGHT 20 Tyco Electronics AMP GmbH ALL RIGHTS RESERVED.

LOC	DIST	REVISIONS			
P	LTR	DESCRIPTION	DATE	DWN	APVD
FT	0	C1	REVISED PER ECO-12-007964	02MAY2012	KH MS



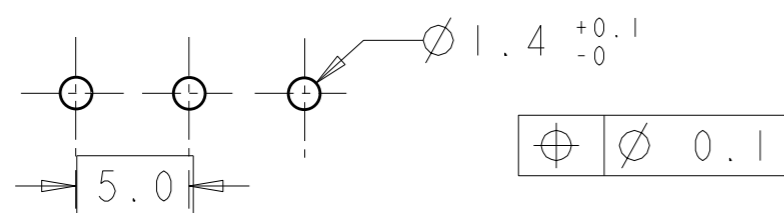
282821-3 AS SHOWN




- 1 MATERIALS AND FINISH  
HOUSING: PA 6-6, UL 94-V0, COLOR GREEN.  
TERMINAL: COPPER ALLOY, TIN PLATED.
- 2 SUITABLE FOR 1,6-2,4mm PC BOARD THICKNESS.
- 3 END-TO-END STACKABLE W/INTERLOCK WITHOUT LOSS OF CENTERLINE SPACING.
- 4 RECOGNIZED UNDER THE COMPONENT PROGRAM OF UNDERWRITERS LABORATORIES INC. FILE N° E60677.
- 5 IMQ CERTIFICATE WITH SURVEILLANCE IN CONFORMITY WITH IEC 998-1/998-2-1.
- 6 NOT CUMULATIVE TOLERANCE.

20	4	282821-4
15	3	282821-3
10	2	282821-2
DIM. A	N° OF POS.	PART NUMBER

RECOMMENDED PC BOARD LAYOUT



THIS DRAWING IS A CONTROLLED DOCUMENT.		DWN E. ZANOLINI 27JUL2001	 TE Connectivity	
DIMENSIONS: mm		CHK D. BIEVENOUR 27JUL2001		
TOLERANCES UNLESS OTHERWISE SPECIFIED:		APVD D. BIEVENOUR 27JUL2001	NAME TERMINAL BLOCK HEADER ASSEMBLY 180 DEGREE STACKING WITH INTERLOCK 5mm PITCH	
0 PLC ±-		PRODUCT SPEC 108-20166	SIZE A3	
1 PLC ±.2		APPLICATION SPEC 114-20079	CAGE CODE 00779	DRAWING NO C-282821
2 PLC ±.25		WEIGHT -	RESTRICTED TO -	
3 PLC ±-		CUSTOMER DRAWING		
4 PLC ±-		SCALE 3:1		
ANGLES ±2		SHEET 1 OF 1		
FINISH -		REV C1		

# Mouser Electronics

Authorized Distributor

Click to View Pricing, Inventory, Delivery & Lifecycle Information:

[TE Connectivity:](#)

[282821-2](#)