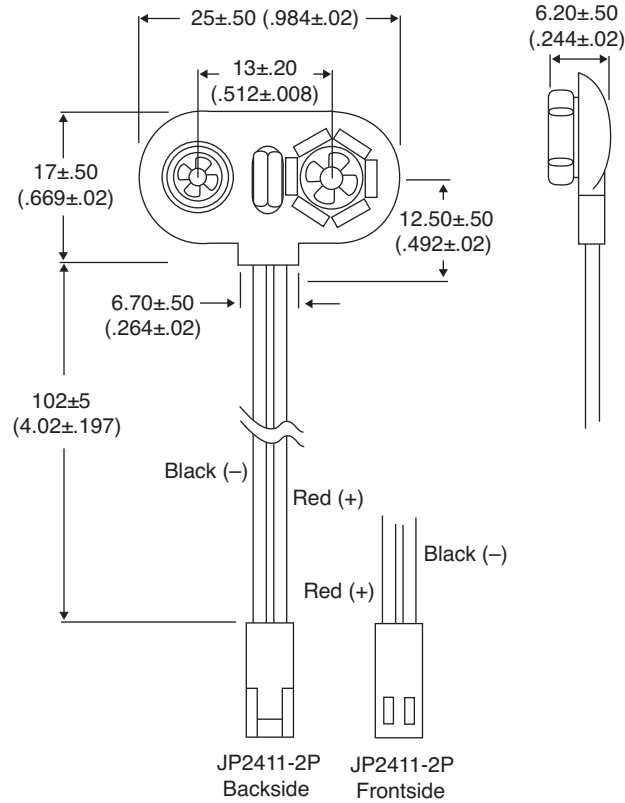


Date Last Revised: 10-6-08



Dimensions: mm (in.)

SPECIFICATIONS	
Wire:	AWG26, Black and Red: 102mm \pm 5mm
Terminal:	With 6 Prong Snap
Material:	A.B.S Resin, Black
With J24111-2 BS-2 Terminal and JP2411-2P Housing (2510)	
Mates with Molex P/N 22-11-2022	
RoHS Compliant	

Available from Mouser Electronics
 1-800-346-6873
 www.mouser.com

EPD-200740

Mouser Electronics

Authorized Distributor

Click to View Pricing, Inventory, Delivery & Lifecycle Information:

[Eagle Plastic Devices:](#)

[121-0426/TM-GR](#)