

5

4

3

2

1

D



Description: H.D. Crimp Pin ,Female,100/Bag
 Part No: 40-9428F
 Application: D-Sub Pin& Sockets
 Crimp Tool: N/A
 Impedance: N/A
 Frequency Range: N/A
 Material: Pin Phosphor Bronze, Gold plated
 RoHS Compliance: Yes
 Technical Detail: N/A

DRAWING NO.
40-9428F-CUST

REVISIONS

01		OFFICIAL RELEASE			
11-27-09	Y	U	U	H	Betty 20081211 10:32:52 4-8930

D

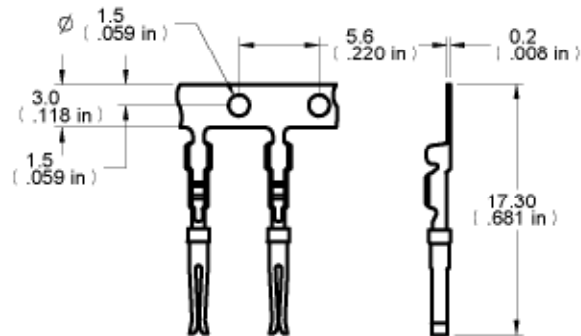
C

C

受控 CONTROLLED DOCUMENT					
编号 P/N	40-9428F	版本 Rev	01	日期 Rel'd Date	DEC 17,09

B

B



A

A

DIM OUTLINE

CUSTOMER COPY

TOLERANCE UNLESS OTHERWISE SPECIFIED		DRAWN BY	DATE
DECIMALS	mm	BETTY.YU	11-27-09
X	+ 0.5	CHECKED BY	DATE
X.X	+ 0.3	BETTY.YU	11-27-09
X.XX	+ 0.1	APPROVED BY	DATE
ANGLES	$\pm 0.5^\circ$	THOMAS	11-27-09
		U/M mm	



TITLE
H.D.CRIMP PIN ,FEMALE,100/BAG

THIS DRAWING WAS PRODUCED BY COMPUTER,
DO NOT SCALE DRAWING OR UPDATE MANUALLY.

SHEET	DRAWING NO.	SIZE
1 OF 1	40-9428F-CUST	A

5

4

3

2

1

Mouser Electronics

Authorized Distributor

Click to View Pricing, Inventory, Delivery & Lifecycle Information:

[Cinch Connectivity Solutions:](#)

[40-9428F](#)