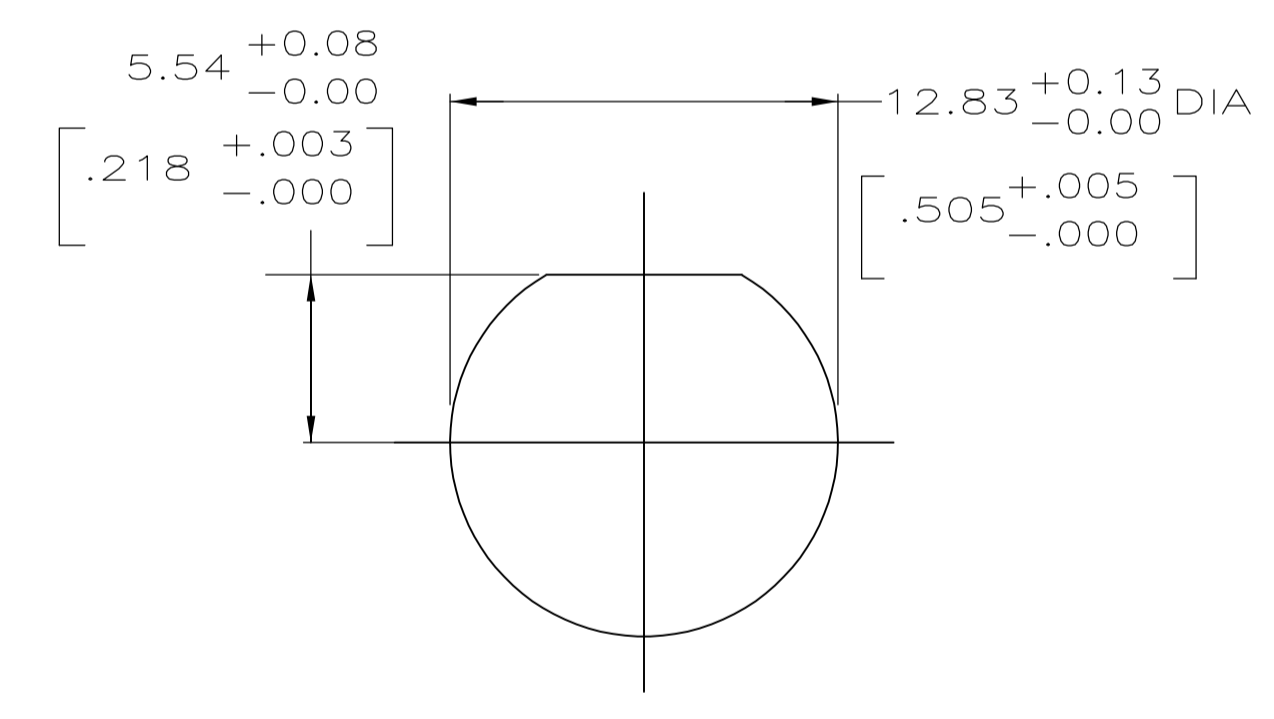
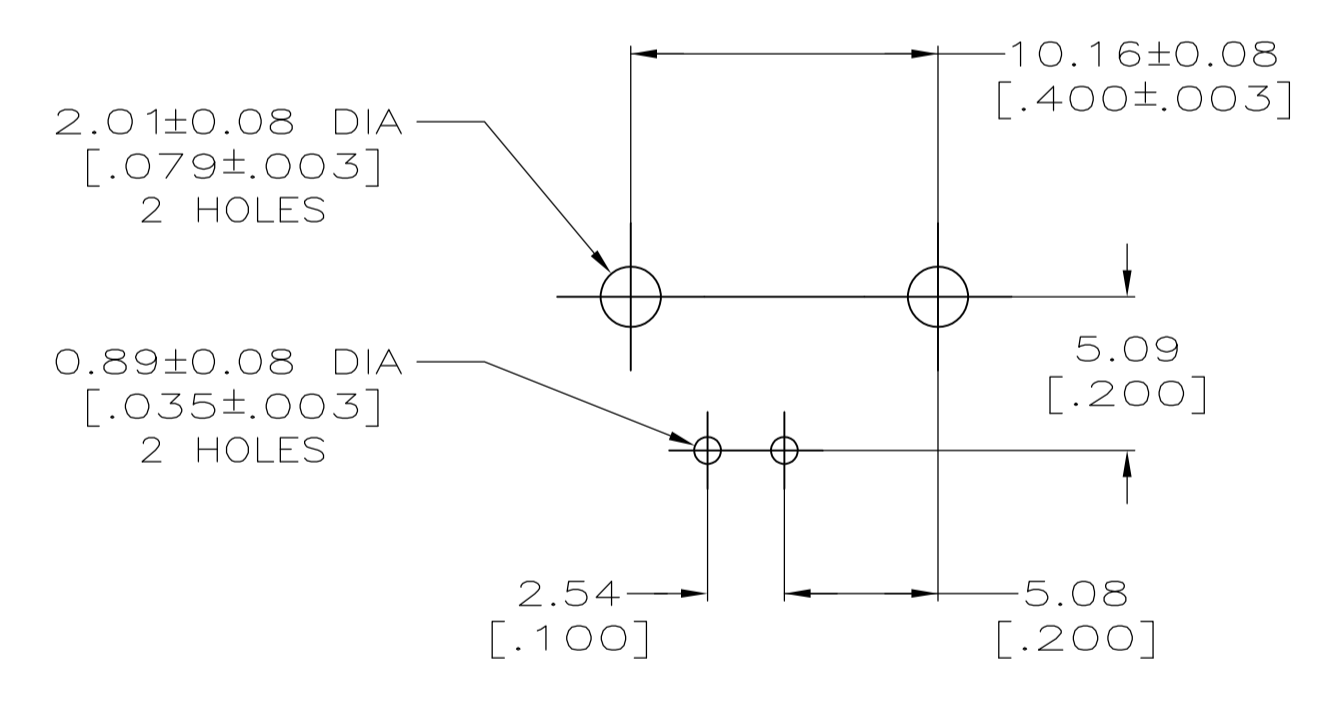


- 1 POLYESTER PBT PER MIL-M-24519, TYPE GPT-15F, UL94V-O RATED, COLOR:NATURAL
- 2 POLYMETHYLPENTENE, GENERAL PURPOSE.
- 3 ZINC PER QQ-Z-363.
- 4 BERYLLIUM COPPER PER QQ-C-530.
- 5 BRASS PER ASTM-B-453.
- 6 NICKEL PLATE PER QQ-N-290  
3.81 μm [.000150] MINIMUM THICK.
- 7 TIN PLATE PER ASTM-B-545  
3.81 μm [.000150] MINIMUM THICK.
- 8 GOLD PLATE PER MIL-G-45204  
.76 μm [.000030] MINIMUM THICK.
- 9. SEE INSTRUCTION SHEET 2769.



RECOMMENDED PANEL CUTOUT



PCB CONFIGURATION

414459-1  
PART NO

THIS DRAWING IS A CONTROLLED DOCUMENT.		DIN J. LIPPERT 10-6-92	Tyco Electronics Corporation Harrisburg, PA 17105-3608	
DIMENSIONS: INCHES		CIK A. GABANY 10-12-92	Tyco Electronics	
TOLERANCES UNLESS OTHERWISE SPECIFIED:		APVD A. GABANY 10-12-92	NAME JACK, RIGHT ANGLE, PCB, 75 OHM, BNC	
0 PLC ± -	1 PLC ± -	PRODUCT SPEC	SIZE CAGE CODE DRAWING NO	
2 PLC ± 0.05 [.002]	3 PLC ± -	APPLICATION SPEC	RESTRICTED TO	
4 PLC ± -	ANGLES ± -	WEIGHT	A1 00779 C=414459	
MATERIAL SEE NOTES 1 - 5	FINISH SEE NOTES 6 - 8	CUSTOMER DRAWING	SCALE 4:1	SHEET 1 OF 1 REV H

# Mouser Electronics

Authorized Distributor

Click to View Pricing, Inventory, Delivery & Lifecycle Information:

[TE Connectivity:](#)

[414459-1](#)