

THIS DRAWING IS UNPUBLISHED.

RELEASED FOR PUBLICATION

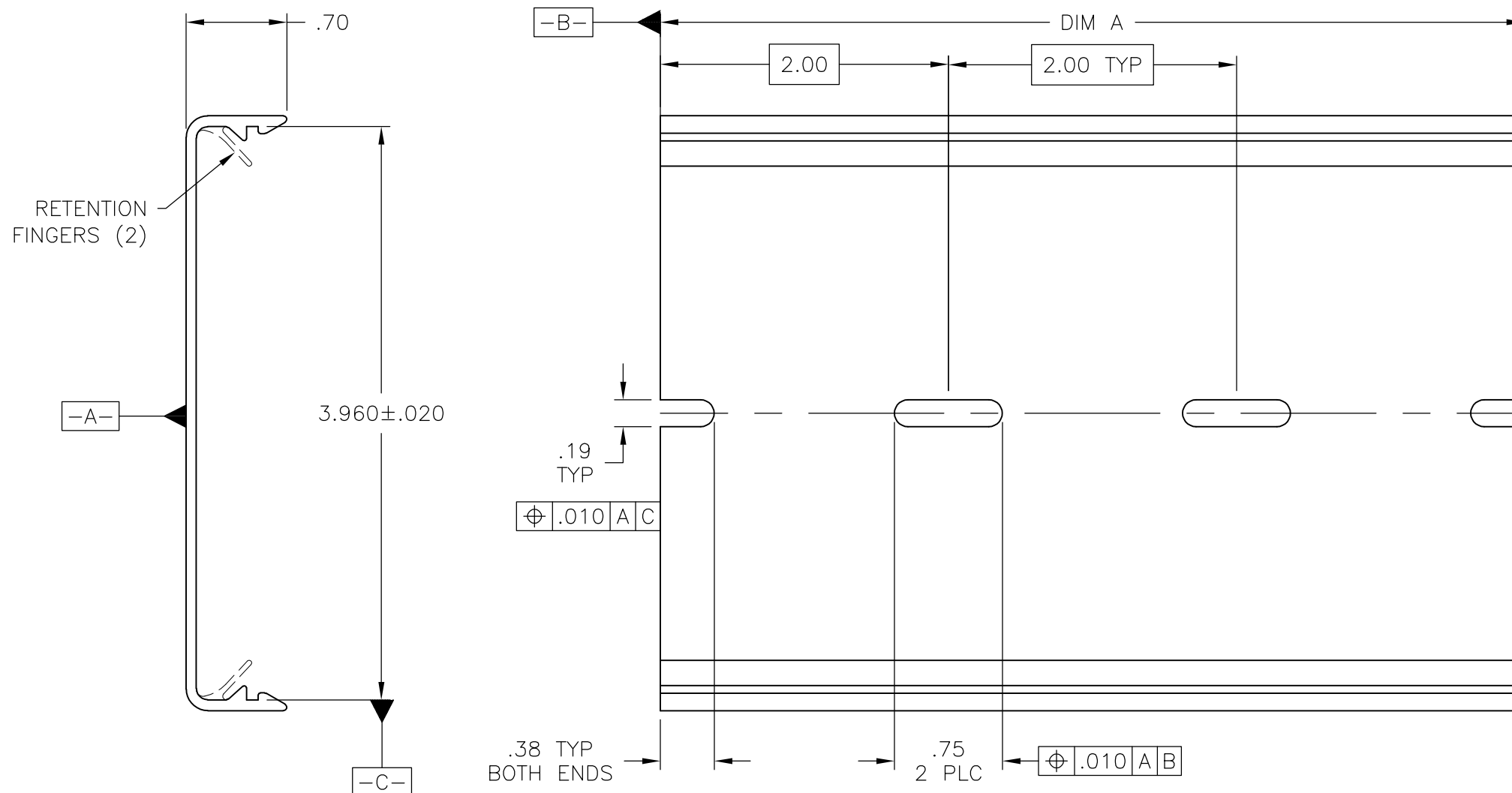
ALL RIGHTS RESERVED.

© COPYRIGHT - By -

LOC FT DIST 0

REVISIONS

P	LTR	DESCRIPTION	DATE	DWN	APVD
	B1	Reactivating 5-1437685-1	06MAR2015	CR	PS



REVISION	DESCRIPTION	DIM A	RETENTION FINGER	CATALOG NO.	PART NO.
2	OBSOLETE	6.00 ± .03	NO	6TK2-6-MOD1A	1546753-2
1		48.00 + .25 / - .03	NO	6TK2-48-MOD1	5-1437685-1
4	OBSOLETE	10.00 ± .03	NO	6TK2-10-MOD1	4-1437685-5
1		6.00 ± .03	NO	6TK2-6-MOD1	1546753-1
1		6.00 ± .03	YES	6TK2-6	5-1437685-5

- 1 MATERIAL: RIGID PVC, COLOR GRAY.
- 2 MATERIAL: RIGID PVC, COLOR NATURAL.
- 3 RECOMMENDED PC BOARD WIDTH: 4.00"
- 4 OBSOLETE PARTS: OBSOLETE CIS STREAMLINING PER D.RENAUD/D.SINISI

THIS DRAWING IS A CONTROLLED DOCUMENT.		DWN S SCHLEGEL 8/2/04	TE Connectivity NAME: 6TK2-6 SNAPTRACK SIZE: A3 CAGE CODE: 00779 DRAWING NO: C-5-1437685-5 RESTRICTED TO: -		
DIMENSIONS: INCHES		CHK S YODER 8/2/04			
TOLERANCES UNLESS OTHERWISE SPECIFIED:		APVD S YODER 8/2/04			
0 PLC ± - 1 PLC ± - 2 PLC ± .015 3 PLC ± .005 4 PLC ± - ANGLES ± 1°		PRODUCT SPEC -			
MATERIAL		APPLICATION SPEC -	SCALE: NTS SHEET: 1 OF 1 REV: B1		
FINISH -		WEIGHT -	CUSTOMER DRAWING		

Mouser Electronics

Authorized Distributor

Click to View Pricing, Inventory, Delivery & Lifecycle Information:

[TE Connectivity:](#)

[6TK2-6](#)