

Interactive Catalog Replaces Catalog Pages

Honeywell Sensing and Control has replaced the PDF product catalog with the new **Interactive Catalog**. The **Interactive Catalog** is a power search tool that makes it easier to find product information. It includes more installation, application, and technical information than ever before.



**Click this icon to try the new
Interactive Catalog.**

Sensing and Control

Honeywell Inc.

11 West Spring Street

Freeport, Illinois 61032

Basic Switches

Auxiliary Actuators Standard Basic



FEATURES

- Additional overtravel
- Quick, easy installation
- Corrosion resistance
- MIL-S-8805 listed units

NOTE: Switches shown are not included with the actuator. All actuators are for use with pin plunger types only except catalog listing JR.

GENERAL INFORMATION

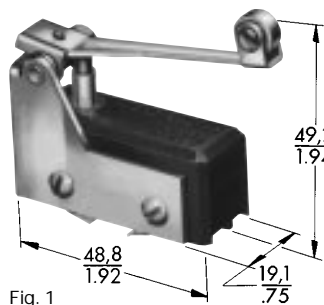
Auxiliary actuators adapt the plunger-type standard basic switches to many application needs. Auxiliary actuators minimize the need for a large inventory of switch types. Actuators and switches are sold as separate items and must be ordered separately. Mounting hardware is furnished with the actuator.

Characteristics:

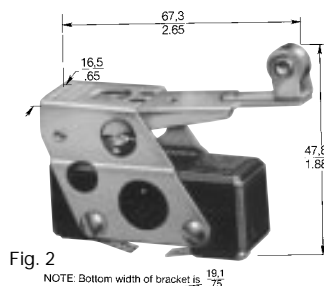
O.T. — Overtravel;
O.P. — Operating Position;
F.P. — Free Position.

ORDER GUIDE

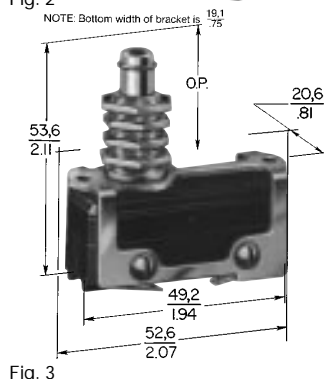
| Description | Catalog Listing | Use Only With | O.T. min. mm inches | O.P.* mm inches | F.P. max. mm inches |
|---|-----------------|---------------|---------------------------|-------------------------|---------------------------|
| Roller lever for "S" plunger type BZ and DT switches only. Permits cam operation. | JR | BZ DT | 11,1 .437 | 44,45±3,18 1.75±.125 | |



| | | | | | |
|--|----------------------------------|----------|-------------------------|---------------------------|------------------------|
| Adjustable roller lever. Tang on top of actuator can be bent to adjust O.P. and F.P. | AD5721R (8805/59) AN3169-1 | BZ BM | 11,1 .437 approx. | 31,75-41,15 1.25-1.62 | 39,6-43,7 1.56-1.72 |
| | ADA3721R | BA BE | 9,53 .375 approx. | 40,48 1.594 approx. | 43,03 1.812 |
| | ADD3721R | DT MT | 9,53 .375 approx. | 39,6 1.562 approx. | 46,03 1.812 |



| | | | | | |
|--------------------------------|---------------------------------|----------|--------------|----------------|----------------|
| Straight plunger. Panel mount. | MC2711 (8805/59) AN3168-2 | BZ BM | 4,78 .188 | 27,79 .188 | 29,4 1.156 |
| | MCA2711 | BA BE | 3,96 .156 | 28,17 1.109 | 30,18 1.188 |
| | MCD2711 | DT MT | 3,58 .141 | 27,79 1.094 | 30,18 1.188 |



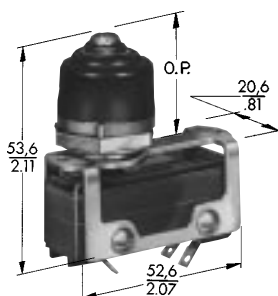
Dimensions shown are for reference only.

Except where stated * ±1,14 mm ±.045 in.

Basic Switches

Auxiliary Actuators Standard Basics

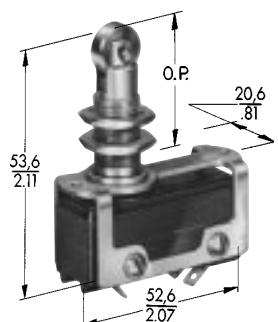
Fig. 4



ORDER GUIDE

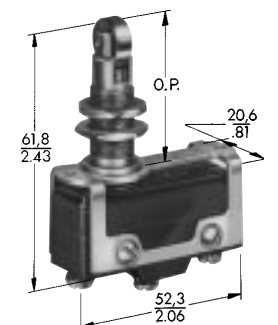
| Description | Catalog Listing | Use Only With | O.T. min. mm Inches | O.P.* mm Inches | F.P. max. mm Inches |
|--|-----------------|---------------|---------------------|--------------------------|---------------------|
| Sealed straight plunger. Panel mount. Elastomer seal boot keeps out liquid splash and dirt. Furnished unassembled. | MC2711H | BZ BM | 4,78 .188 | 28,98 1.141 | 29,4 1.156 |
| | MCA2711H | BA BE | 4,37 .172 | 27,38±0,76 1.078±.030 | 29,56 1.156 |
| | MCD2711H | DT MT | 3,58 .141 | 27,79 1.094 | 30,18 1.188 |

Fig. 5



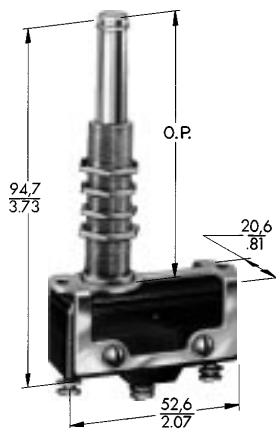
| | | | | | |
|--|----------|----------|-------------------------|----------------|----------------|
| Roller plunger. Panel mount. Roller parallel to long axis of the switch. | MD3211Q | BZ BM | 3,18 .125 approx. | 35,7 1.406 | 37,69 1.484 |
| | MDA3711Q | BA BE | 3,18 .125 | 36,12 1.422 | 37,69 1.484 |
| | MD3211Q | DT MT | 3,18 .125 | 35,7 1.406 | 37,69 1.484 |

Fig. 6



| | | | | | |
|---|-----------|----------|-------------------------|----------------|----------------|
| Cross roller plunger. Panel mount. Roller perpendicular to long axis of the switch. | MD3211Q1 | BZ BM | 3,18 .125 approx. | 35,7 1.406 | 37,69 1.484 |
| | MDA3711Q1 | BA BE | 3,18 .125 | 36,12 1.422 | 37,69 1.484 |
| | MD3211Q1 | DT MT | 3,18 .125 | 35,7 1.406 | 37,69 1.484 |

Fig. 7



| | | | | | |
|---------------------------------------|---------------------------|----------|---------------|----------------|----------------|
| High overtravel plunger. Panel mount. | MC7711 (8805/58) AN3167-1 | BZ BM | 20,62 .812 | 69,1 2.719 | 70,64 2.781 |
| | MCA7711 | BA BE | 19,84 .781 | 69,44 2.734 | 71,42 2.812 |
| | MCD7711 | DT MT | 18,26 .719 | 69,1 2.719 | 71,42 2.812 |

Except where stated* ±1,14 mm ±.045 in.

Standard Basic Switches

Mouser Electronics

Authorized Distributor

Click to View Pricing, Inventory, Delivery & Lifecycle Information:

Honeywell:

[AD5721](#) [AD5721R3](#) [ADA3721R8](#) [ADH3721R2](#) [AD5721R](#) [ADD3721R](#) [MC2711](#) [MC2711H](#) [MC7711](#) [MC2711B](#)
[MCA2711](#) [MCA7711](#) [MDA3711Q](#) [ADA3721R](#)