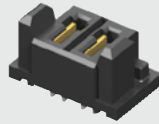
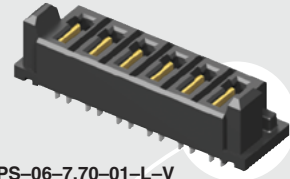


**POWER™
STRIP 30**



MPS-02-7.70-01-L-V



MPS-06-7.70-01-L-V

MPS SERIES

(5.00 mm) .1969"

30 A DUAL LEAF SOCKET

SPECIFICATIONS

For complete specifications see www.samtec.com?MPT

- Insulator Material:** Black LCP
- Terminal Material:** Copper Alloy
- Plating:** Sn or Au over 50 μ" (1.27 μm) Ni
- Operating Temp Range:** -55 °C to +105 °C with Tin; -55 °C to +125 °C with Gold
- Voltage Rating:** 575 VAC/812 VDC
- Standard Creepage:** (2.86 mm) .113"
- Standard Clearance:** (2.71 mm) .106"
- RoHS Compliant:** Yes
- Lead-Free Solderable:** Yes

Mates with:
MPT

Dual leaf blade contacts

5.00 mm pitch

14 mm stack height

MPT-V/MPS-V	
POWER PINS	CURRENT RATING (PER CONTACT)
1	28.8 A
2	24.7 A
3	24.1 A
4	22.3 A
8	18.5 A
-T PLATING	

Polarized guide posts

Mate available for perpendicular board mating

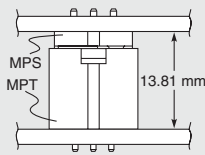
RECOGNITIONS

For complete scope of recognitions see www.samtec.com/quality



MPS	POWER PINS	LEAD STYLE	TAIL LENGTH	PLATING OPTION	V
	-02, -03, -04, -06, -08	-7.70 = (7.70 mm) .303"	-01 = Use with (1.60 mm) .062" Thick PCB -03 = Use with (2.36 mm) .093" Thick PCB	-L = 10 μ" (0.25 μm) Gold on contact, Matte Tin on tail -T = Matte Tin	

MATED HEIGHT



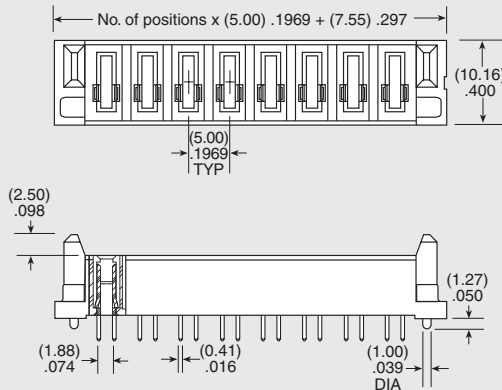
OTHER SOLUTIONS

- Power/Signal combination Headers (see MPSC Series)
- High Power Headers (see PES Series)

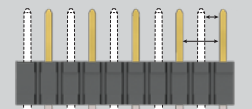
ALSO AVAILABLE (MOQ Required)

- Other sizes
- Locking Clip (Manual placement required)

Note: Some sizes, styles and options are non-standard, non-returnable.



CREEPAGE AND CLEARANCE



Selectively loading contacts achieves customer specific creepage and clearance requirements. Contact asp@samtec.com

Due to technical progress, all designs, specifications and components are subject to change without notice.

Mouser Electronics

Authorized Distributor

Click to View Pricing, Inventory, Delivery & Lifecycle Information:

Samtec:

[MPS-08-7.70-01-L-V](#) [MPS-02-7.70-01-L-V](#) [MPS-06-7.70-03-L-V](#) [MPS-06-7.70-01-L-V](#) [MPS-04-7.70-03-L-V](#) [MPS-08-7.70-03-L-V](#) [MPS-03-7.70-01-L-V](#) [MPS-04-7.70-01-L-V](#) [MPS-02-7.70-01-T-V-LC](#) [MPS-08-7.70-01-L-V-LC](#) [MPS-06-7.70-01-T-V-LC](#) [MPS-08-7.70-01-T-V](#) [MPS-02-7.70-01-L-V-LC](#) [MPS-02-7.70-01-T-V](#) [MPS-08-7.70-01-T-V-LC](#) [MPS-06-7.70-01-L-V-LC](#) [MPS-04-7.70-01-L-V-LC](#) [MPS-04-7.70-01-T-V-LC](#) [MPS-06-7.70-01-T-V](#) [MPS-04-7.70-01-T-V](#) [MPS-02-7.70-03-T-V](#) [MPS-03-7.70-01-T-V](#) [MPS-02-7.70-03-L-V](#) [MPS-04-7.70-03-L-V-LC](#) [MPS-08-7.70-03-T-V](#) [MPS-08-7.70-03-L-V-LC](#) [MPS-08-7.70-03-T-V-LC](#) [MPS-04-7.70-03-T-V](#) [MPS-02-7.70-03-L-V-LC](#) [MPS-06-7.70-03-T-V](#) [MPS-06-7.70-03-L-V-LC](#) [MPS-03-7.70-03-L-V](#) [MPS-04-7.70-03-T-V-LC](#) [MPS-06-7.70-03-T-V-LC](#)