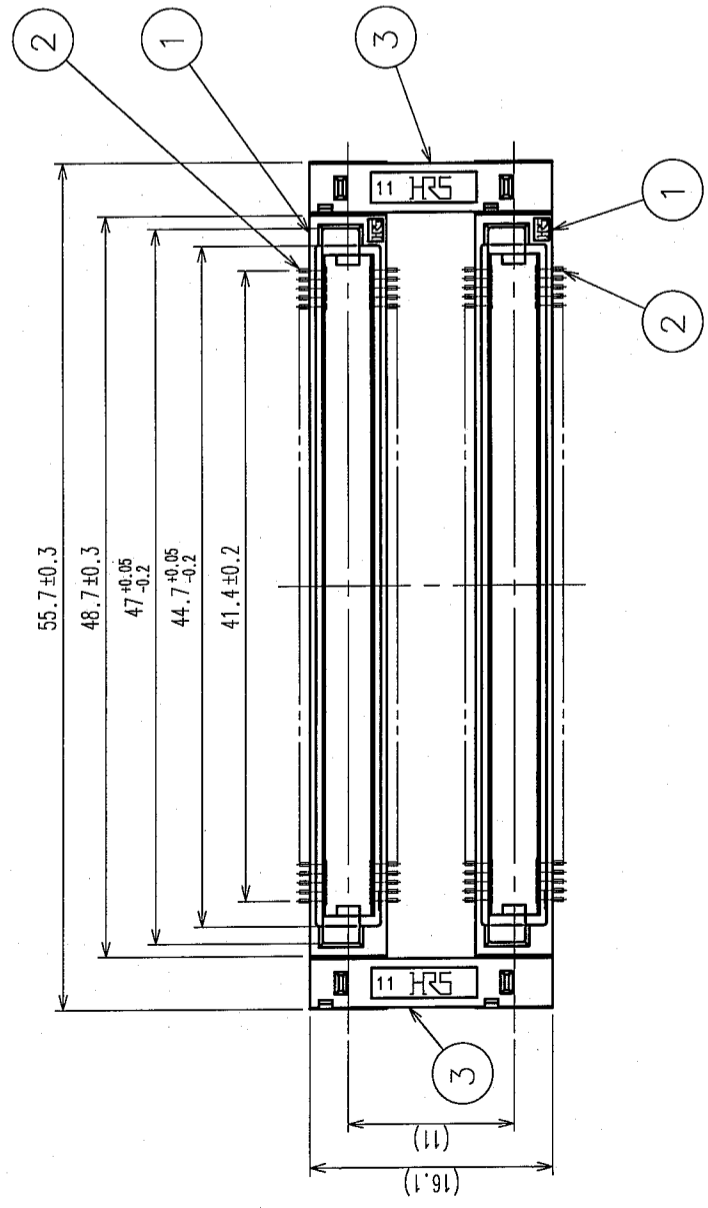
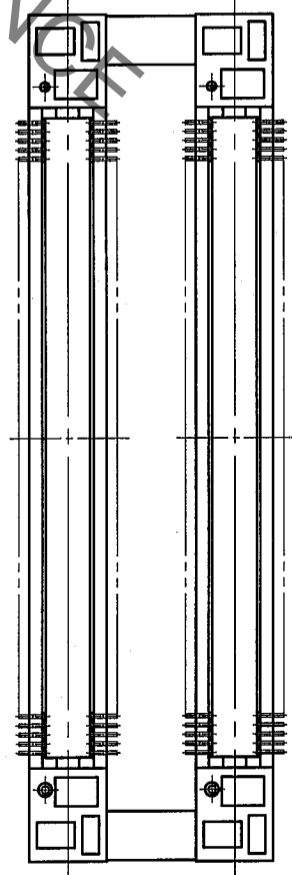
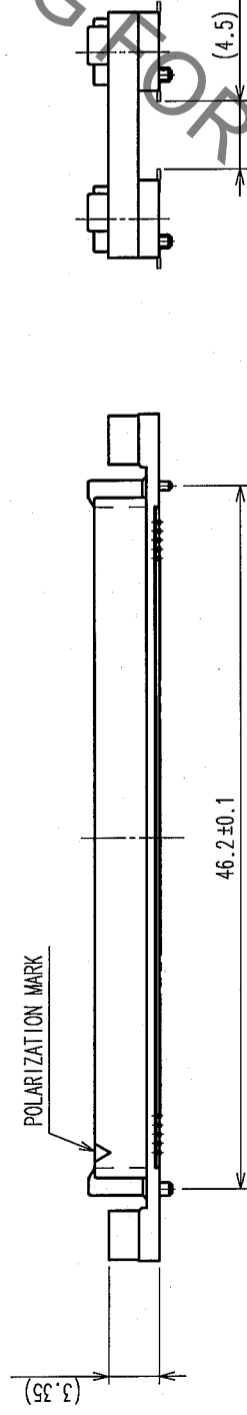
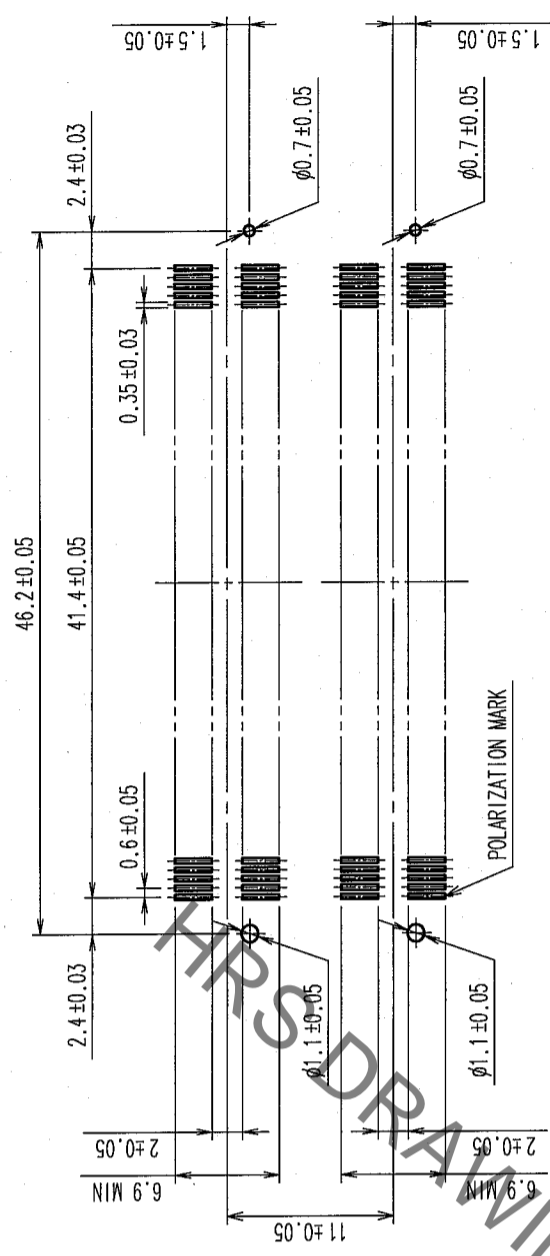


COUNT	DESCRIPTION OF REVISIONS	BY	CHKD	DATE	COUNT	DESCRIPTION OF REVISIONS	BY	CHKD	DATE
△					△				
△					△				
△					△				



RECOMMENDED LAND PATTERN DIMENSION OF PCB (MOUNTING SIDE)



- NOTES
- 1 LEAD CO-PLANARITY SHALL BE 0.1mm MAX.
 - 2 AFTER MOUNTING BOARD, REF.NO.3 SHALL BE REMOVED.
 - 3 FOR MODIFICATION, ETC., PREVENTIVE HOLE FOR SINK MARK MAY BE ADDED DEPENDS ON CIRCUMSTANCES.
 - 4 THE DIMENSIONS IN PARENTHESES ARE FOR REFERENCE.

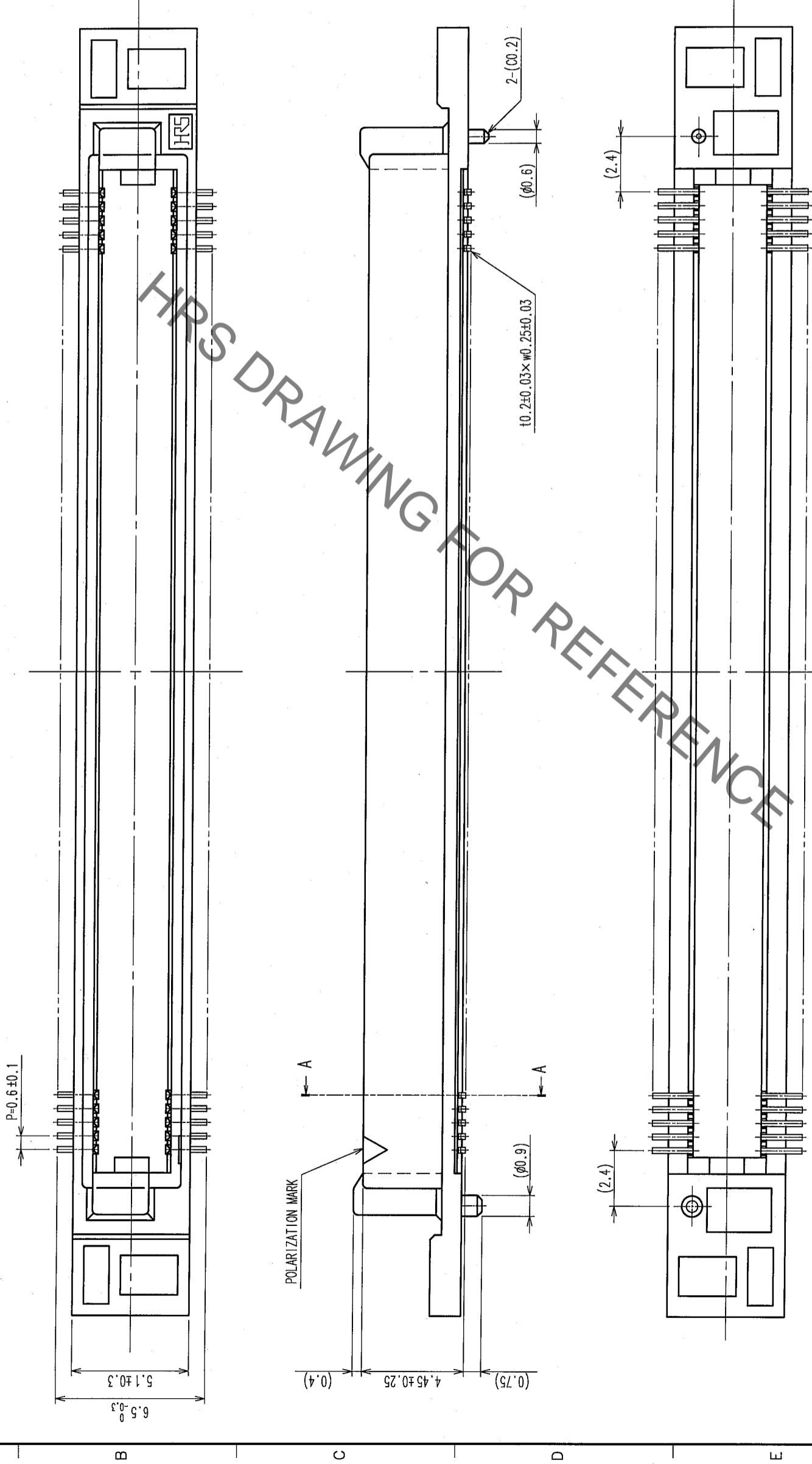
1,3	PPS	LIGHT BROWN (UL94V-0)	2	PHOSPHOR BRONZE	CONTACT AREA: GOLD 0.1μm min LEAD AREA: GOLD FLASH UNDER PLATING: NICKEL 0.5μm min
NO.	MATERIAL	FINISH, REMARKS	NO.	MATERIAL	FINISH, REMARKS
CODE NO. (OLD) CL		DRAWN K. NAKAMURA		DESIGNED K. NAKAMURA	CHECKED K. Ogawa
		06.02.21		06.02.21	06.02.21
DRAWING NO. EDC3-150905-25		PART NO. FX8C-140/140P11-SVJ(71)		APPROVED H. Okawa	
SCALE 2 : 1		HIROSE ELECTRIC CO., LTD		RELEASED	
UNITS mm		CODE NO. CL578-0657-8-71		1/2	

TO	
PCK	

DETAIL AFTER REMOVING JOINT

COUNT		DESCRIPTION OF REVISIONS		BY	CHKD	DATE	COUNT		DESCRIPTION OF REVISIONS		BY	CHKD	DATE
△	△						△	△					
△	△						△	△					
△	△						△	△					

A-A



NOTE THE DIMENSIONS IN PARENTHESES ARE FOR REFERENCE.

NO.	MATERIAL	FINISH, REMARKS	NO.	MATERIAL	FINISH, REMARKS
CL					
DRAWING NO.		PART NO.		FINISH, REMARKS	
EDC3-150905-25		FX8C-140/140P11-SVJ(71)		APPROVED	
SCALE 5 : 1		CODE NO.		RELEASED	
UNITS ITT		CL578-0657-8-71		H. H. KAWA	
DESIGNED		CHECKED		APPROVED	
K. NAKAMURA		K. NAKAMURA		H. H. KAWA	
DRAWN		DESIGNED		CHECKED	
06.02.21		06.02.21		06.02.21	

TO	
PCK	