

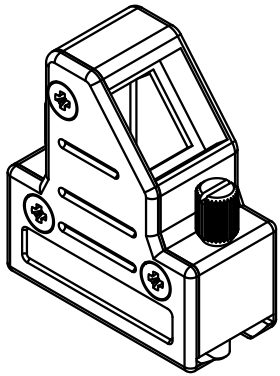
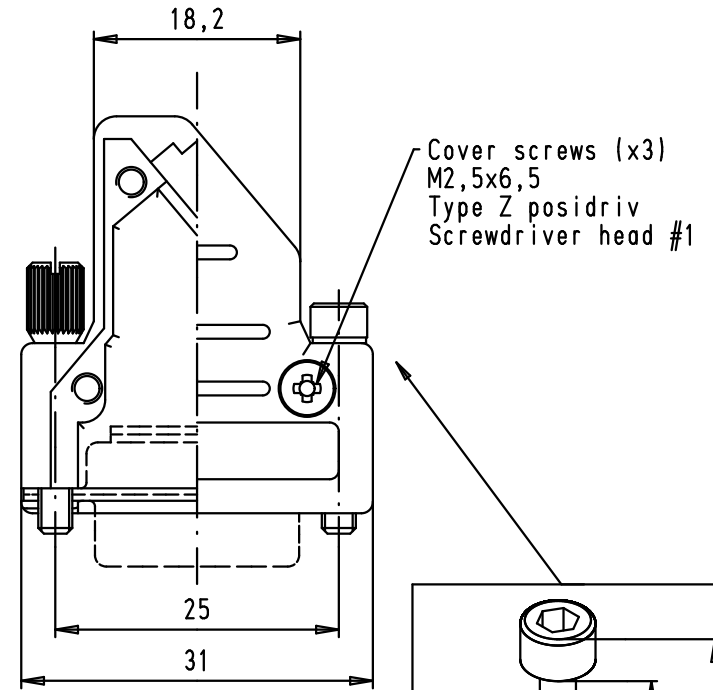
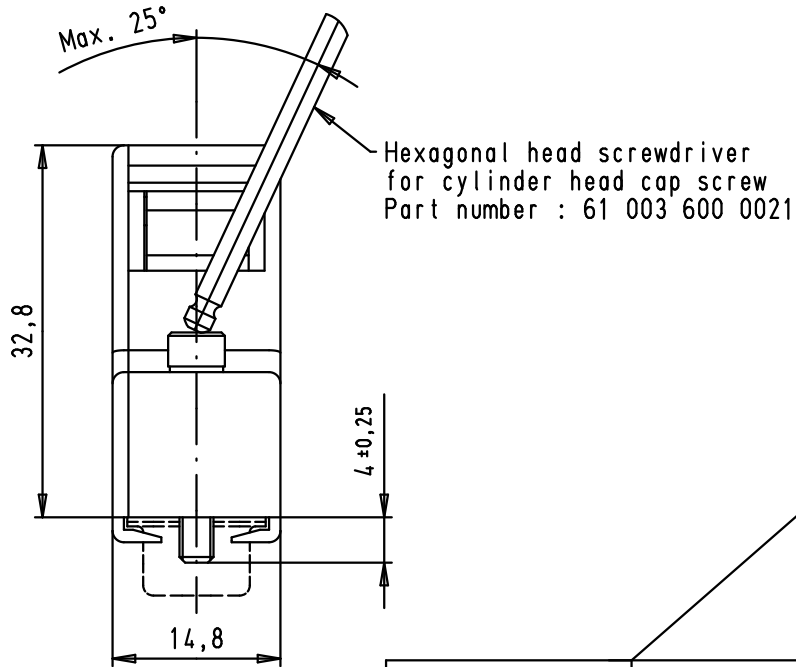
5

4

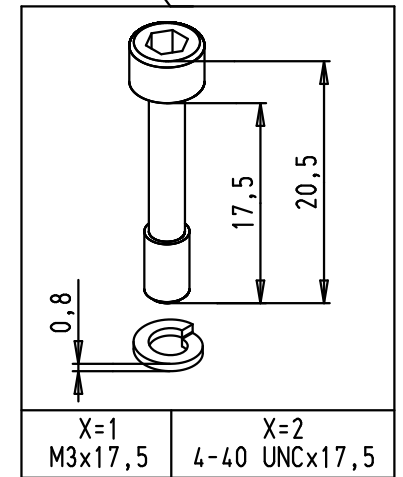
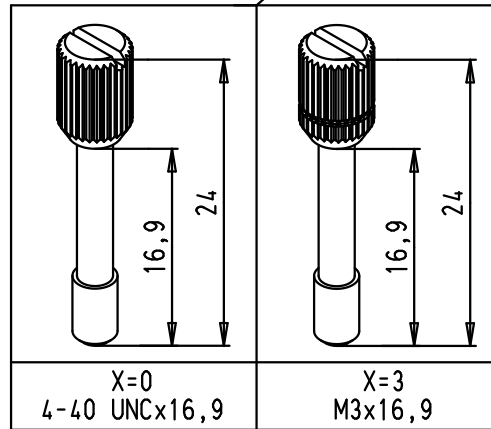
3

2

1



NOTA :Full metal hood made
with zinc diecast



A

						Dot.	Name	<p>All Dim. in mm Orig. Size DIN A 4</p>	INDUCOM - 9 poles, full metal hood for D-Sub, angled cable entry, without internal grounding block	Maßstab/ Scale	
61 03 001 X013.010						Detail.	27/02/09			PK	1,5:1
61 03 001 3013.010	Knurled thumb screw	M3 x 16,9				Insp.					
61 03 001 0013.010		4-40 UNC x 16,9				Stand.					
61 03 001 2013.010	Cylinder socket head cap screw with spring washer [2,6 DIN 127B]	4-40 UNC x 17,5	36163	29/09/10	SC	HARTING EURL F-95972 Paris			TB 61 03 001 X013.010	Blatt/ Page 1 / 1	
61 03 001 1013.010		M3 x 17,5	35662	27/02/09	PK						
Part number	Screw type	screw size	Mod.	Dot.	Name				Sub.		

Mouser Electronics

Authorized Distributor

Click to View Pricing, Inventory, Delivery & Lifecycle Information:

[HARTING:](#)

[61030010013010](#) [61030011013010](#) [61030012013010](#) [61030013013010](#)