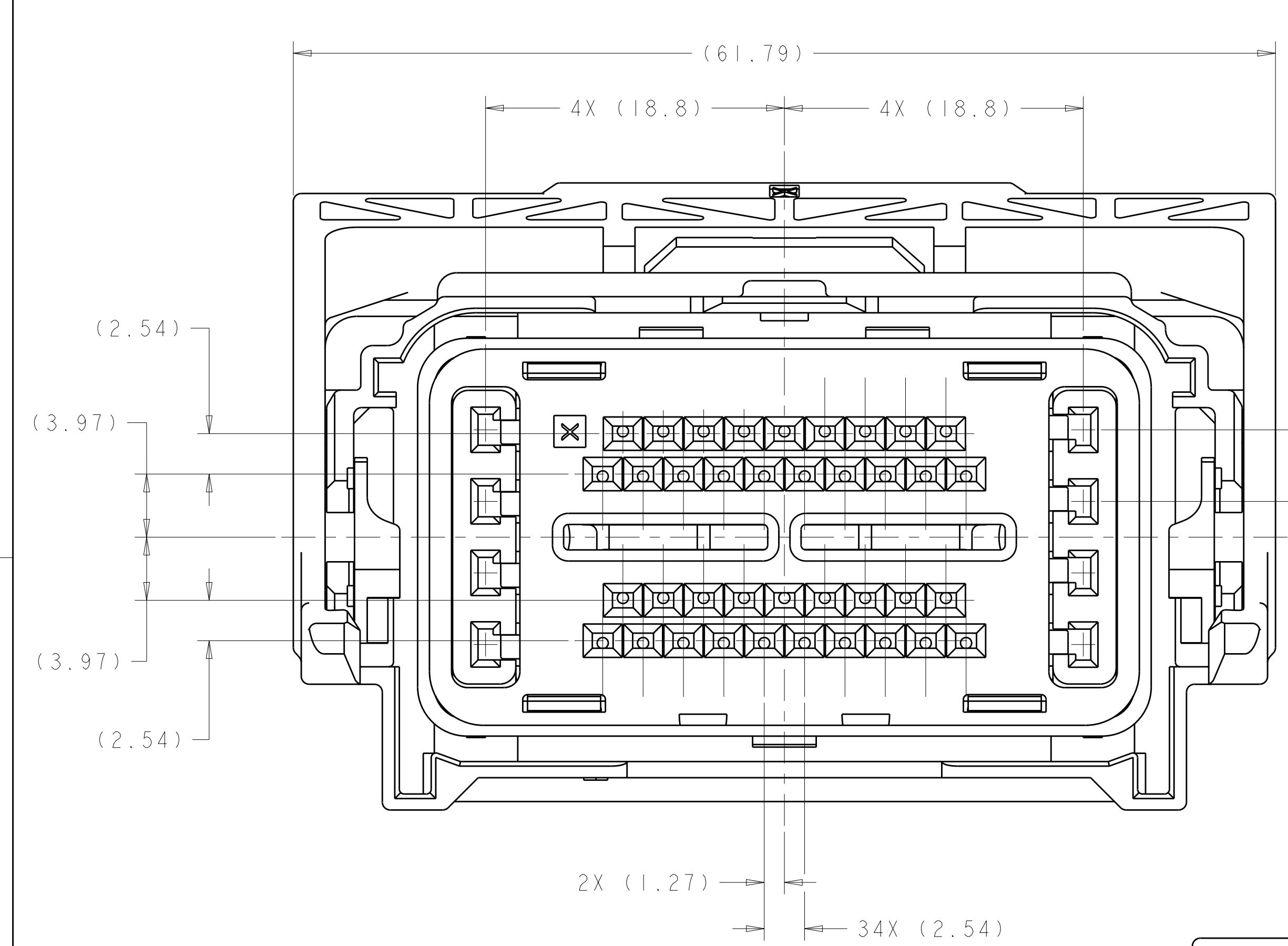
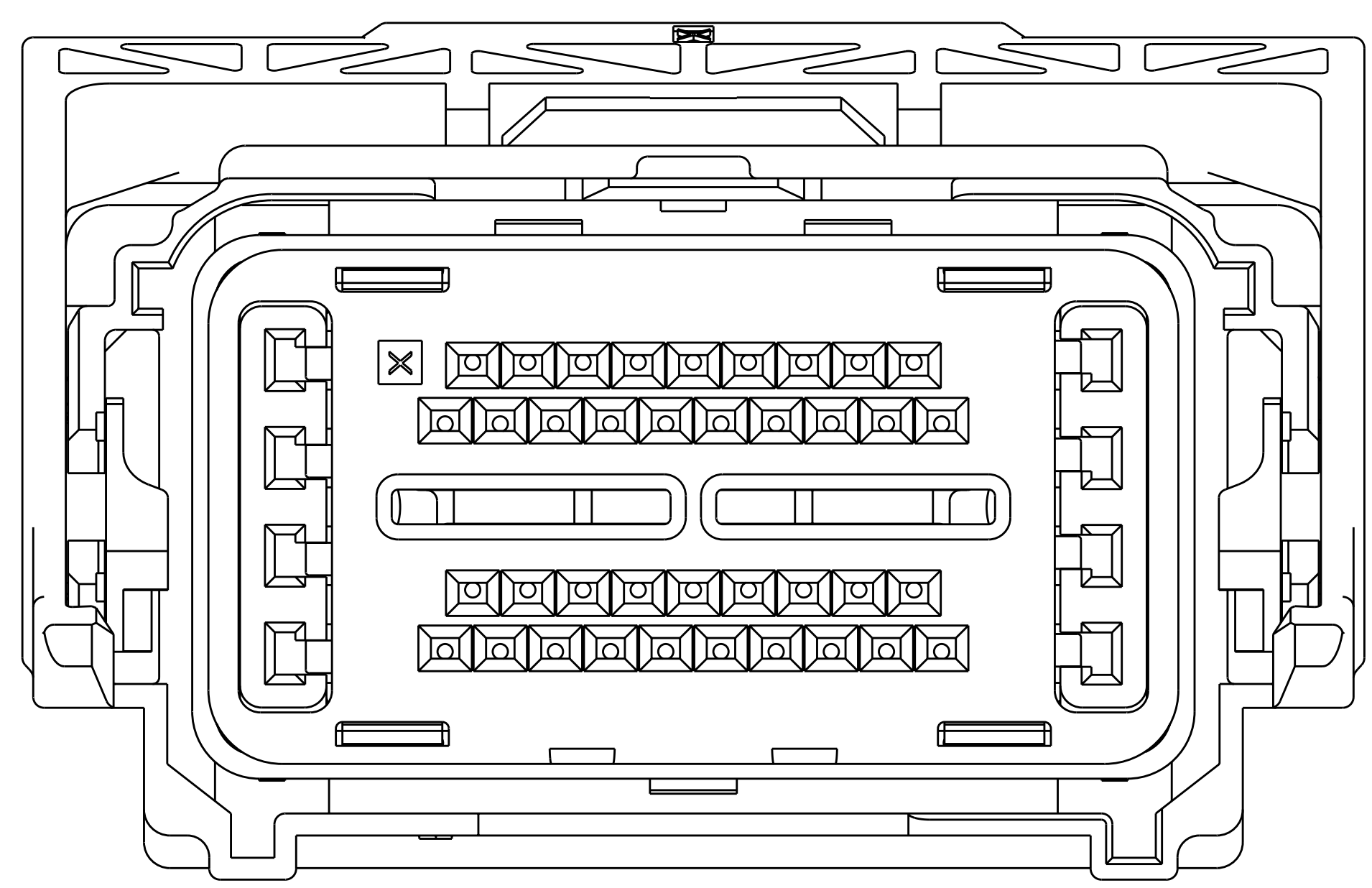


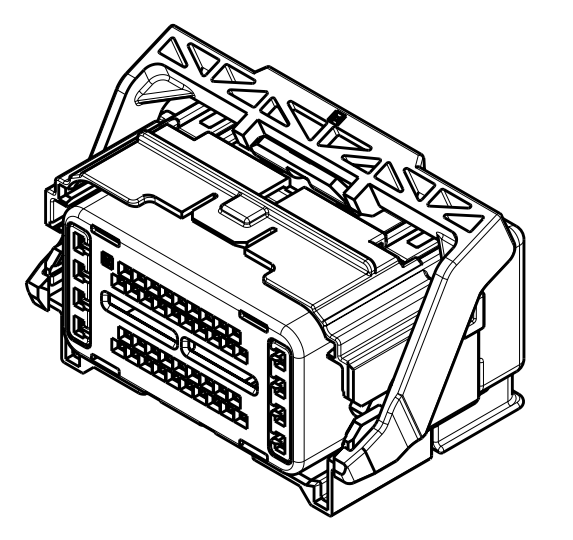
REV	DATE	DESCRIPTION	DATE	BY	APP'D
S10	23APR2009	REVISED PER ECO-09-009758		DLD	DCM
S11	29DEC2009	REVISED PER ECO-09-028550		DLD	DCM



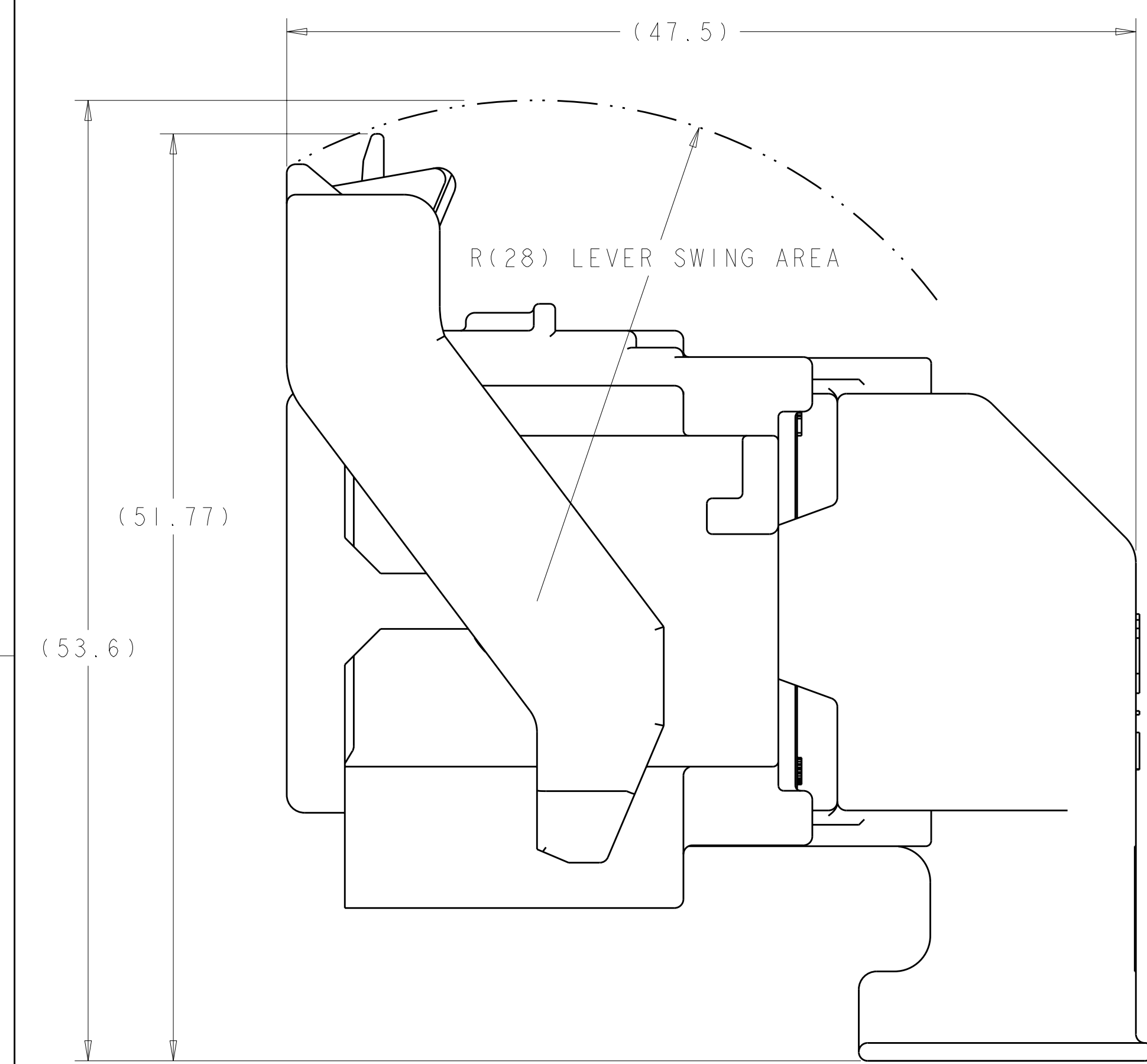
KEYING OPTION "A"
1438082-1



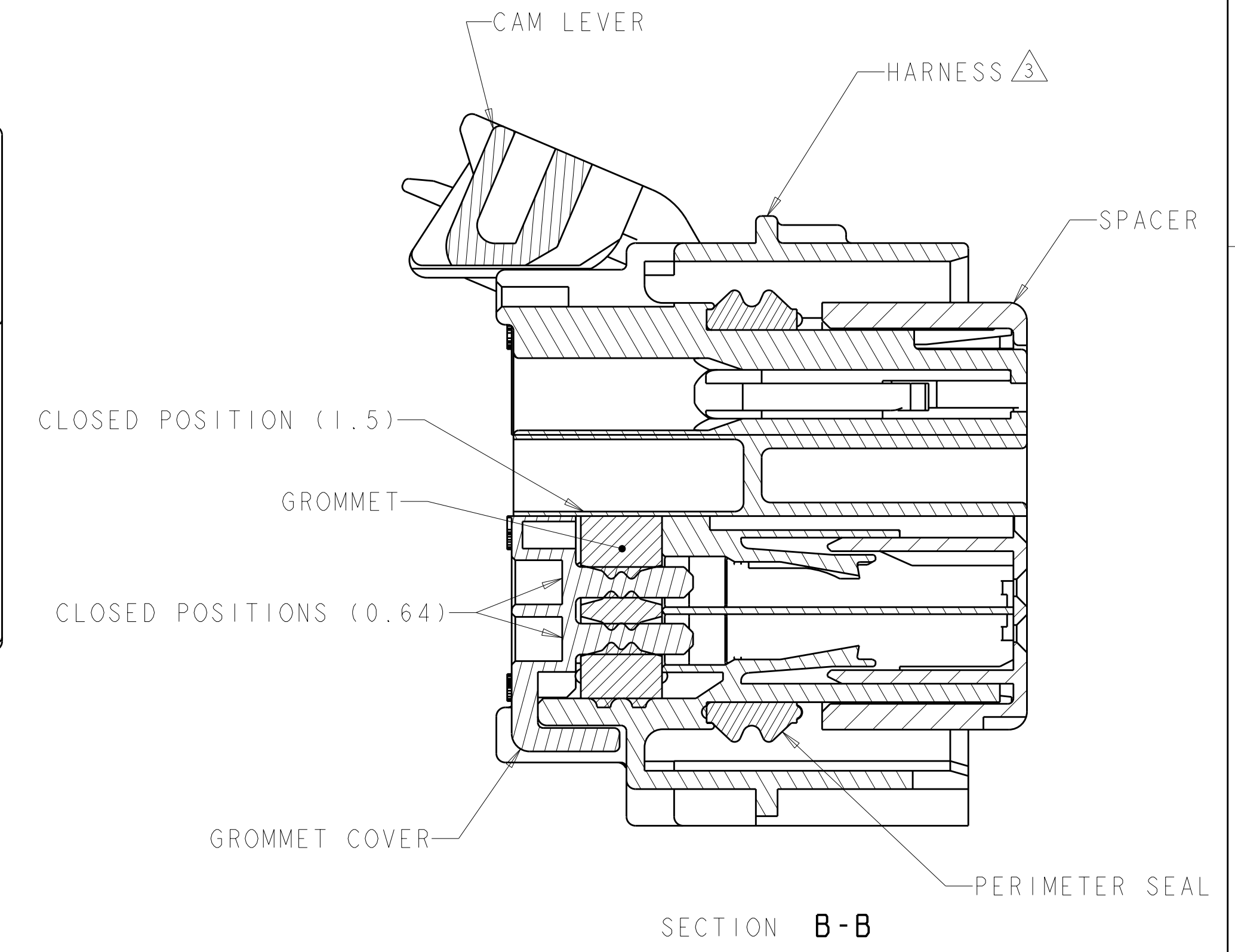
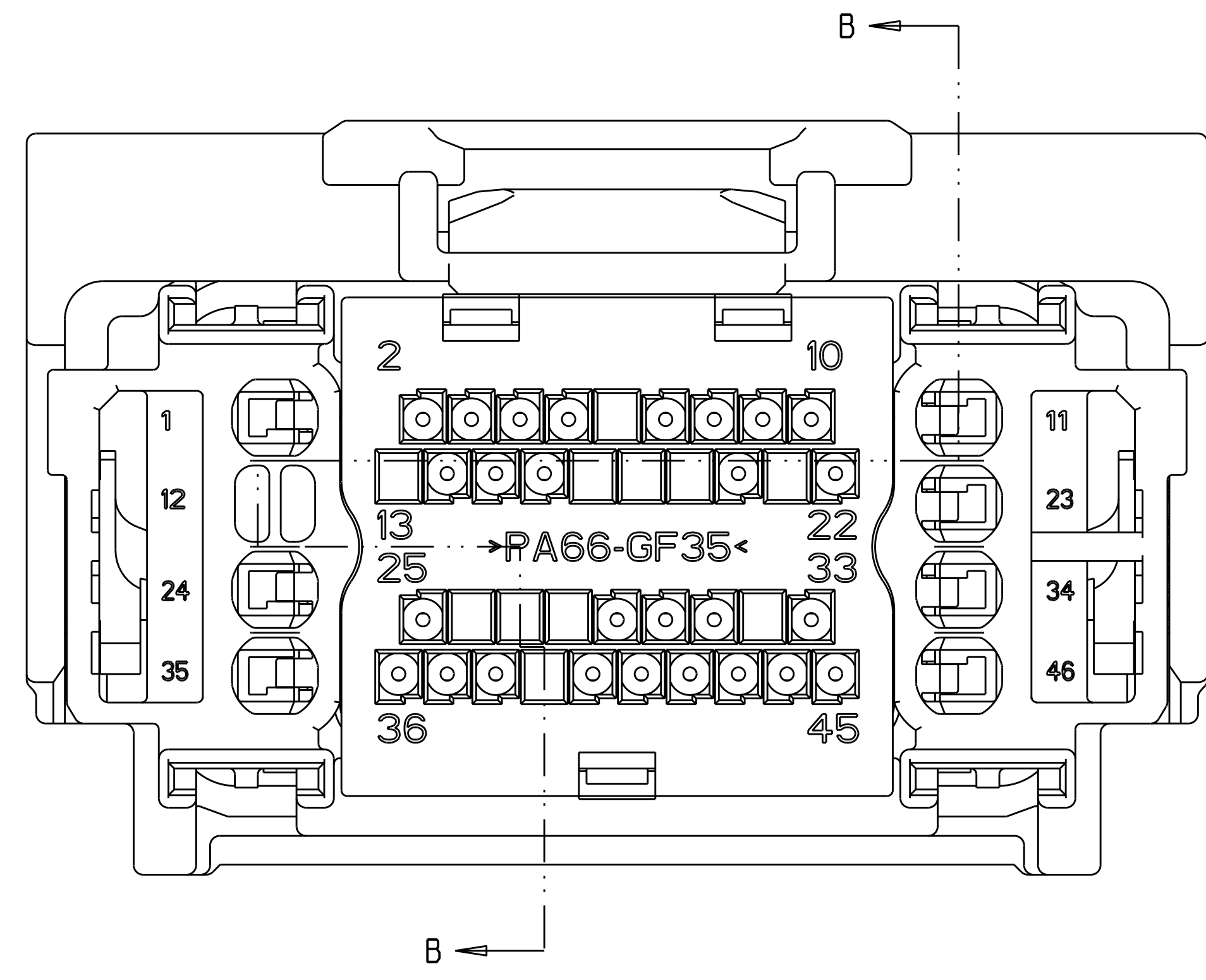
KEYING OPTION "B"
1438082-2



SCALE 1:1



SHOWN WITH CAM LEVER AND SPACER
 IN LOADED POSITION WITH
 OPTIONAL WIRESHIELD



SECTION B-B

- MATERIAL:
 - HARNESS - 35% GLASS FILLED PA66, BLACK
 - ALT MAT'L: HARNESS - 30% GLASS FILLED sPS, BLACK
 - SPACER - 40% GLASS FILLED PPS+PA66, RED
 - ALT MAT'L: 30% GLASS FILLED sPS, RED
 - ALT MAT'L: 35% GLASS FILLED PA66, RED
 - COVER - 35% GLASS FILLED PA66, BLACK
 - ALT MAT'L: COVER - 30% GLASS FILLED LCP, BLACK
 - CAM LEVER - 35% GLASS FILLED NYLON, GRAY
 - GROMMET - SILICONE, BROWN
 - PERIMETER SEAL - SILICONE, GREEN

- 2. CAM LEVER AND SPACER ARE SHIPPED IN PRE-LATCH POSITION.
- SEE PINOUT CHART ON SHEETS 2, 3 AND 4 FOR CLOSED CIRCUIT CONFIGURATIONS.
- CAVITIES WITH A NUMERIC SYMBOL INDICATES CLOSED TERMINAL LOCATIONS. BLANK CAVITIES INDICATE OPEN TERMINAL HOLE LOCATIONS.

SEE PINOUT CHARTS
 PART NUMBER

DIMENSIONS: mm 		TOLERANCES UNLESS OTHERWISE SPECIFIED: 9 PLC ±0.3 1 PLC ±0.10 5 PLC ±0.15 4 PLC ±0.20 ANGLES ±°		DWN R. VESTAL 01AUG2003 CHK D. STRAUSSER 01AUG2003 APVD D. STRAUSSER 01AUG2003 PRODUCT SPEC APPLICATION SPEC WEIGHT CUSTOMER DRAWING		Tyco Electronics Harrisburg, PA 17105-3608 NAME: 46 WAY PCM CONNECTOR HARNESS ASSEMBLY SIZE: 00779 C=1438082 SCALE: 4:1 SHEET 1 OF 5		RESTRICTED TO	
--------------------	--	--	--	--	--	--	--	---------------	--

THIS DRAWING IS UNPUBLISHED.
 RELEASED FOR PUBLICATION
 20
 COPYRIGHT 20 BY TYCO ELECTRONICS CORPORATION, ALL RIGHTS RESERVED.

LOC	DIST	P	LTH	DESCRIPTION	DATE	OWN	APVD
FX	00	-	-	SEE SHEET 1	-	-	-

	44	43	42	41			38											26										7	5			9-1438082-9	2LIT-14A464-TD-044															
	44						38											26														9-1438082-8	2LIT-14A464-TD-043															
					40	39	38					35	34									24	21		18	16	15	13	12		9	8	7	5	9-1438082-2	2LIT-14A464-TD-042												
46			43	42	40						35	34			31		28				24	21	19							12	9			8-1438082-2	2LIT-14A464-TD-041													
					40	39	38				35	34									24	21		18	16	15	13	12				8	7	5	8-1438082-1	2LIT-14A464-TD-040												
											35						27													9		6	3		7-1438082-7	2LIT-14A464-TD-039												
		43	42			39	38	37							32		28								19	18	17	16			10	9			7-1438082-6	2LIT-14A464-TD-038												
		43	42	40							35						28				24	21	19										5	4	1	7-1438082-2	2LIT-14A464-TD-037											
		43	42								35									24	21	19											5	4	1	7-1438082-1	2LIT-14A464-TD-036											
		43	42			39	38	37								28								19	18	17	16		13		10	9			7-1438082-0	2LIT-14A464-TD-035												
		43	42			39	38	37								28								19	18	17	16				10	9			6-1438082-9	2LIT-14A464-TD-034												
	44		42								38							26																	7	6-1438082-8	2LIT-14A464-TD-033											
	43	42				39	38	37						32		28								19	18	17	16		13		10	9			6-1438082-7	2LIT-14A464-TD-032												
	44		42								38					27	26		22																	6-1438082-5	2LIT-14A464-TD-031											
	44		42								38						26																			6-1438082-4	2LIT-14A464-TD-030											
		43	42				38	37						32										19	18	17	16				10	9			6-1438082-0	2LIT-14A464-TD-029												
		43	42			39	38	37						32										19	18	17	16		13		10	9			5-1438082-9	2LIT-14A464-TD-028												
		43	42				38	37						32										19	18	17	16				10	9			5-1438082-8	2LIT-14A464-TD-027												
		43	42			39	38									28								19	18	17	16				10	9			5-1438082-7	2LIT-14A464-TD-026												
46	45		43								34	33	32	31		27				22	21	20	19	18		16	15	14	13	12		10	9	8	7	5-1438082-4	2LIT-14A464-TD-025											
		44		42							38																								3		5-1438082-3	2LIT-14A464-TD-024										
					40	39																		21		18	16	15	13				9	8	7		5-1438082-1	2LIT-14A464-TD-023										
46	45	44	43		41	40					34	33	32	31	29	27				22	21	20	19	18		16	15	14	13	12		10	9	8	7	4-1438082-6	2LIT-14A464-TD-022											
	44		42				38							30		27	26		22																	4-1438082-5	2LIT-14A464-TD-021											
	44		42				38							30																				3		4-1438082-4	2LIT-14A464-TD-020											
	44		42				38							30			26																			4-1438082-3	2LIT-14A464-TD-019											
46	45		43								34	33	32	31		27				21	20	19	18		16	15	14	13	12		10	9	8	7	4-1438082-1	2LIT-14A464-TD-018												
			40	39							35	34											21		18	16	15	13				9	8	7	5	3-1438082-9	2LIT-14A464-TD-017											
	44		42				38	37						30		27	26		22																	2-1438082-8	2LIT-14A464-TD-016											
	44		42				38	37						30																							2-1438082-7	2LIT-14A464-TD-015										
	44		42				38	37						30			26																				2-1438082-6	2LIT-14A464-TD-014										
		43	42			39	38	37					33	32		28	27	26		22	21	20	19	18		17	16		13		10				2-1438082-4	2LIT-14A464-TD-013												
46	45	44	43								34	33	32	31		27				22	21	20	19	18		16	15	14	13	12		10	9	8	7	2-1438082-1	2LIT-14A464-TD-012											
46	45	44	43								34	33	32	31		27				22	21	20	19	18		16	15	14	13	12		10	9	8	7	2-1438082-0	2LIT-14A464-TD-011											
		43	42			39	38	37								28								19	18	17	16				10					1-1438082-7	2LIT-14A464-TD-010											
		43	42			39	38	37						32		28	27	26		21	20	19	18		17	16		13		10					1-1438082-6	2LIT-14A464-TD-009												
		43	42			39	38	37						32		28								19	18	17	16				10					1-1438082-5	2LIT-14A464-TD-008											
		43	42			38	37							32										19	18	17	16				10					1-1438082-4	2LIT-14A464-TD-007											
46	45	44	43								34	33	32	31		27				22	21	20	19	18		16	15	14	13	12		10	9	8	7	1-1438082-3	2LIT-14A464-TD-006											
46	45	44	43								34	33	32	31		27				22	21	20	19	18		16	15	14	13	12		10	9	8	7	1-1438082-2	2LIT-14A464-TD-005											
		43	42			39	38									28								18	17	16										1438082-9	2LIT-14A464-TD-004											
												32																									1438082-8	2LIT-14A464-TD-003										
											34	33	32	31		27				22	21	20	19	18		16	15	14	13	12		10	9	8	7	1438082-7	2LIT-14A464-TD-002											
											34	33	32	31		27				22	21	20	19	18		16	15	14	13	12		10	9	8	7	1438082-0	2LIT-14A464-TD-001											
																																					1438082-2	2LIT-14A464-TD-000										
46	45	44	43	42	41	40	39	38	37	36	35	34	33	32	31	30	29	28	27	26	25	24	23	22	21	20	19	18	17	16	15	14	13	12	11	10	9	8	7	6	5	4	3	2	1		PART NUMBER	FORD PART NUMBER

TERMINAL HOLE POSITION

PIN-OUT CHART KEYING OPTION "B"

THIS DRAWING IS UNPUBLISHED. RELEASED FOR PUBLICATION. ALL RIGHTS RESERVED.

DIMENSIONS: mm
 TOLERANCES UNLESS OTHERWISE SPECIFIED:
 9 PLC ±.3
 1 PLC ±0.10
 5 PLC ±.
 4 PLC ±.
 ANGLES ±°
 MATERIAL: -
 FINISH: -

DWN: R. VESTAL 01AUG2003
 CHK: D. STRAUSSER 01AUG2003
 APVD: D. STRAUSSER 01AUG2003
 NAME: D. STRAUSSER

Tyco Electronics
 Tyco Electronics
 Harrisburg, PA 17105-3608

PRODUCT SPEC: 46 WAY PCM CONNECTOR HARNESS ASSEMBLY
 APPLICATION SPEC: A | 00779 C=1438082
 WEIGHT: -
 CUSTOMER DRAWING

SIZE: 4:1
 SHEET: 4 OF 5
 SCALE: 4:1

THIS DRAWING IS UNPUBLISHED. RELEASED FOR PUBLICATION
COPYRIGHT 20 BY TYCO ELECTRONICS CORPORATION. ALL RIGHTS RESERVED.

REV	DATE	BY	DESCRIPTION
FX	00		SEE SHEET 1

45	44	43	42	41			38													27										7	5				7-1438735-7	2LIT-14A464-TD-086									
	44		42				38													27										7	5				7-1438735-6	2LIT-14A464-TD-085									
45	44	43	42	41			38																							7	5	4			7-1438735-5	2LIT-14A464-TD-084									
	44		42				38																							7	5	4			7-1438735-4	2LIT-14A464-TD-083									
	44	43	42	41			38																							7	5	4			7-1438735-3	2LIT-14A464-TD-082									
	44		42				38													27										7	5	4			7-1438735-2	2LIT-14A464-TD-081									
	44		42				38																							7	5	4			7-1438735-1	2LIT-14A464-TD-080									
		43	42																											7	6		4	3		7-1438735-0	2LIT-14A464-TD-079								
																														7	6			3		6-1438735-9	2LIT-14A464-TD-078								
	44	43	42																											7	6		4			6-1438735-8	2LIT-14A464-TD-077								
45	44	43	42	41			38																							7	5					6-1438735-6	2LIT-14A464-TD-076								
	44		42				38																							7	5					6-1438735-5	2LIT-14A464-TD-075								
	44	43	42	41			38																							7	5					6-1438735-4	2LIT-14A464-TD-074								
	44						38																							8	6					6-1438735-0	2LIT-14A464-TD-073								
	44						38																							8	7	6				5-1438735-9	2LIT-14A464-TD-072								
	44																																				5-1438735-8	2LIT-14A464-TD-071							
	44																																				5-1438735-7	2LIT-14A464-TD-070							
	44						38																														5-1438735-6	2LIT-14A464-TD-069							
	44						38																														5-1438735-5	2LIT-14A464-TD-068							
	44																																				5-1438735-4	2LIT-14A464-TD-067							
	44																																				5-1438735-3	2LIT-14A464-TD-066							
		43	42																																		5-1438735-2	2LIT-14A464-TD-065							
																																					5-1438735-1	2LIT-14A464-TD-064							
	44		42				38																														4-1438735-6	2LIT-14A464-TD-063							
	44		42				38																														4-1438735-5	2LIT-14A464-TD-062							
	44		42				38																														4-1438735-4	2LIT-14A464-TD-061							
	44		42				38																														4-1438735-3	2LIT-14A464-TD-060							
	44																																				4-1438735-2	2LIT-14A464-TD-059							
	44																																				4-1438735-1	2LIT-14A464-TD-058							
		43	42																																		4-1438735-0	2LIT-14A464-TD-057							
																																					3-1438735-9	2LIT-14A464-TD-056							
46	45	44	43																																		3-1438735-4	2LIT-14A464-TD-055							
46	45		43																																		2-1438735-7	2LIT-14A464-TD-054							
46	45	44	43	42	40																																2-1438735-3	2LIT-14A464-TD-053							
45	44	43	42	40																																	2-1438735-2	2LIT-14A464-TD-052							
	44		42				38																														1438735-7	2LIT-14A464-TD-051							
				40	39	38																															1438735-6	2LIT-14A464-TD-050							
	44		42				38																														1438735-5	2LIT-14A464-TD-049							
	44		42				38																														1438735-4	2LIT-14A464-TD-048							
	44		42				38																														1438735-3	2LIT-14A464-TD-047							
	44		42				38																														1438735-2	2LIT-14A464-TD-046							
	44						38																														1438735-1	2LIT-14A464-TD-045							
46	45	44	43	42	41	40	39	38	37	36	35	34	33	32	31	30	29	28	27	26	25	24	23	22	21	20	19	18	17	16	15	14	13	12	11	10	9	8	7	6	5	4	3	2	1
TERMINAL HOLE POSITION																														PART NUMBER	FORD PART NUMBER														

PIN-OUT CHART KEYING OPTION "B" \triangle

DIMENSIONS:		TOLERANCES UNLESS OTHERWISE SPECIFIED:		DWN A. HOLT 22OCT2007		Tyco Electronics Tyco Electronics Harrisburg, PA 17105-3608	
mm		9 PLC \pm 1 PLC ± 0.3 5 PLC ± 0.10 4 PLC \pm ANGLES \pm		CHK S. MANKARYOS 22OCT2007		NAME 46 WAY PCM CONNECTOR HARNESS ASSEMBLY	
MATERIAL SEE TABLE		FINISH SEE TABLE		APVD S. MANKARYOS 22OCT2007		PRODUCT SPEC APPLICATION SPEC	
CUSTOMER DRAWING		SCALE 4:1		SHEET 5 OF 5		RESTRICTED TO A 00779 C-1438082	

Mouser Electronics

Authorized Distributor

Click to View Pricing, Inventory, Delivery & Lifecycle Information:

[TE Connectivity:](#)

[3-1438735-4](#)