

THIS DRAWING IS UNPUBLISHED.

RELEASED FOR PUBLICATION

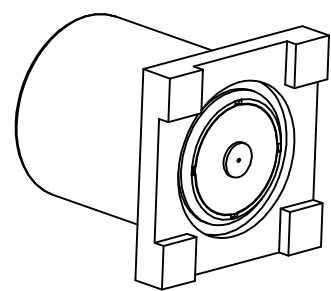
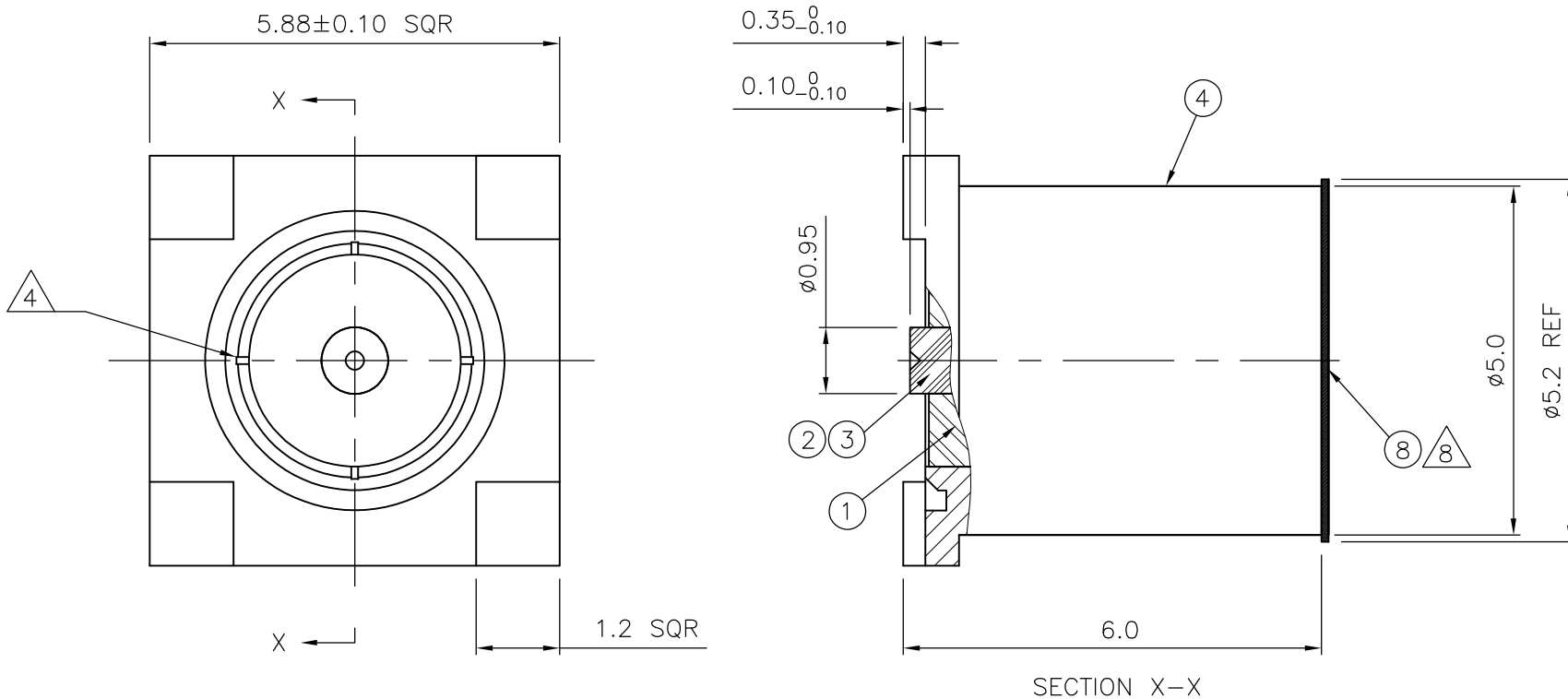
ALL RIGHTS RESERVED.

© COPYRIGHT - By -

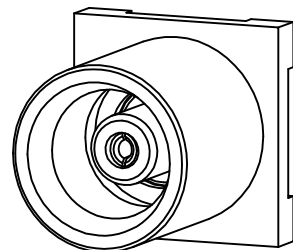
LOC	DIST	REVISIONS			
P	LTR	DESCRIPTION	DATE	DWN	APVD
E	B				
	D	ECO-13-010895	17JUN2014	RZ	MC

NOTES:

- 1 PACKAGE ONE COMPLETE CONNECTOR IN HEAT SEALED, LABELED BAG. LABELED PER TEC-107-115
- 2 TAPE AND REEL PACKAGING OPTION AS PER NOTES 13 AND 14
- 3 0.1-0.2µm Au PLATING
- 4 FOUR POINT INDENT STAGGERED 90° ON RADIUS
- 5 0.8µm Au PLATING
- 6. DIELECTRIC MUST WITHSTAND A 10 N AXIAL RETENTION FORCE AFTER INDENT
- 7. COAX CONNECTOR CONFORMS WITH SPEC CECC 22220
- 8 KAPTON CAP SHOWS JUST FOR 6-1337582-0



SCALE 5:1



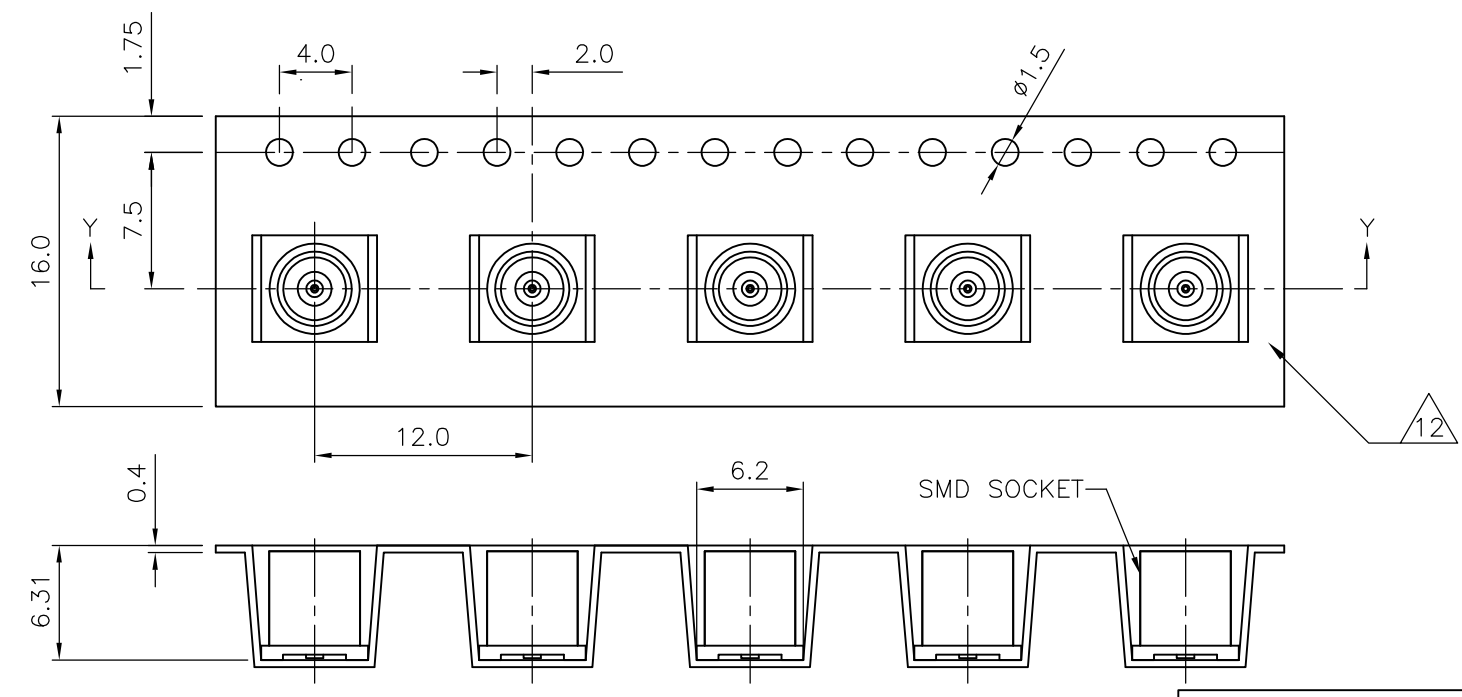
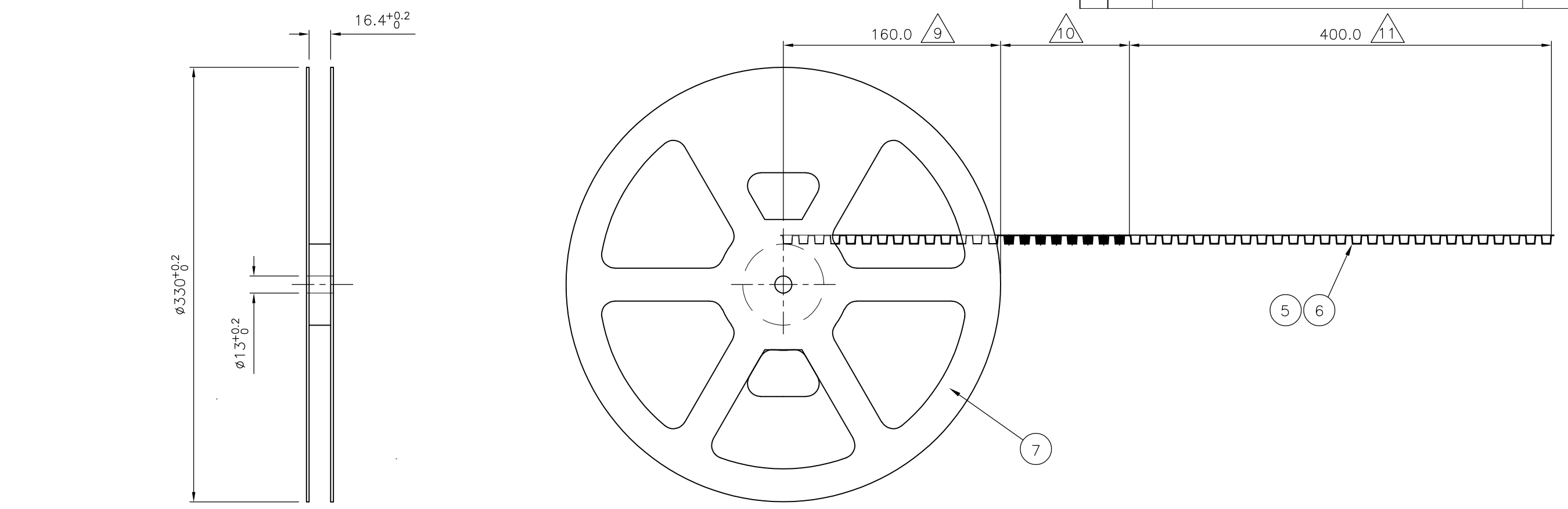
SCALE 5:1

QTY	PLC	PLC	PLC	PLC	MATERIAL	DESCRIPTION	ITEM No
-	1	-	-	-	PLOYIMIDE GREEN	KAPTON GREEN CAP	8
1	1	-	-	-	POLYSTRENE REGRIND BLACK	REEL 13"	7
1	1	-	-	-	PET TRANSPARENT	COVER BELT FOR BLISTER BELT	6
1	1	-	-	-	POLYSTRENE VOLUME CONDUCTIVE	BLISTER BELT	5
1	1	1	1	1	BRASS	BODY	4
1	-	1	-	-	PHOSPHOR BRONZE	FEMALE CONTACT	3
-	1	-	1	-	PHOSPHOR BRONZE	FEMALE CONTACT	2
1	1	1	1	1	PTFE	DIELECTRIC	1
6--1	6--0	1--1	1--0				
2	2	1	1				

THIS DRAWING IS A CONTROLLED DOCUMENT.		DWN J.SANDWELL 10NOV2004	TE Connectivity													
DIMENSIONS: mm		CHK S.PARLOW 10NOV2004														
TOLERANCES UNLESS OTHERWISE SPECIFIED:		APVD F.WHEELER-KING 10NOV2004	NAME MCX SMD PCB SOCKET													
<table border="0"> <tr><td>0 PLC</td><td>± -</td></tr> <tr><td>1 PLC</td><td>± 0.5</td></tr> <tr><td>2 PLC</td><td>± 0.13</td></tr> <tr><td>3 PLC</td><td>± 0.013</td></tr> <tr><td>4 PLC</td><td>± 0.0001</td></tr> <tr><td>ANGLES</td><td>± -</td></tr> </table>		0 PLC	± -	1 PLC	± 0.5	2 PLC	± 0.13	3 PLC	± 0.013	4 PLC	± 0.0001	ANGLES	± -	PRODUCT SPEC 108-3640	RESTRICTED TO	
0 PLC	± -															
1 PLC	± 0.5															
2 PLC	± 0.13															
3 PLC	± 0.013															
4 PLC	± 0.0001															
ANGLES	± -															
MATERIAL SEE TABLE		FINISH -	WEIGHT -	SIZE A3												
		CAGE CODE 00779		DRAWING NO C-1337582												
		CUSTOMER DRAWING		SCALE 10:1												
		SHEET 1 OF 2		REV D												

THIS DRAWING IS UNPUBLISHED. RELEASED FOR PUBLICATION
 © COPYRIGHT - By - ALL RIGHTS RESERVED.

LOC	DIST	REVISIONS			
P	LTR	DESCRIPTION	DATE	DWN	APVD
E	B	-	SEE SHEET 1	-	-



- NOTES (CONT):
- 9 LAST RUNNING ACCORDING TO IEC 60286-3
 - 10 BLISTER BELT FILLED WITH PARTS
 - 11 400mm EMPTY BLISTER BELT, SEALED WITH COVER TAPE
 - 12 BLISTER BELT ACCORDING TO IEC 60286-3
 - 13. UNIT PER REEL: 800 PIECES
 - 14. SMD-STRIP-PACKAGING ACCORDING TO IEC 60286-2

THIS DRAWING IS A CONTROLLED DOCUMENT.		DWN J.SANDWELL 10NOV2004		TE Connectivity	
DIMENSIONS: mm		CHK S.PARLOW 10NOV2004			
TOLERANCES UNLESS OTHERWISE SPECIFIED:		APVD F.WHEELER-KING 10NOV2004		NAME	
0 PLC ± -		PRODUCT SPEC		MCX SMD PCB SOCKET	
1 PLC ± -		APPLICATION SPEC		-	
2 PLC ± -		WEIGHT		-	
3 PLC ± -		SIZE		A3	
4 PLC ± -		CAGE CODE		00779	
ANGLES ± -		DRAWING NO		C-1337582	
FINISH		RESTRICTED TO		-	
MATERIAL		CUSTOMER DRAWING		SCALE NTS	
		SHEET		2 OF 2	
		REV		D	