

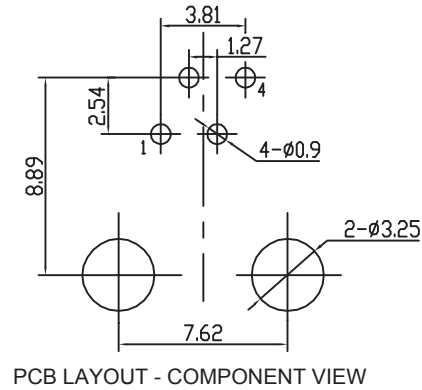
1

2

3

4

5



TECHNICAL CHARACTERISTICS

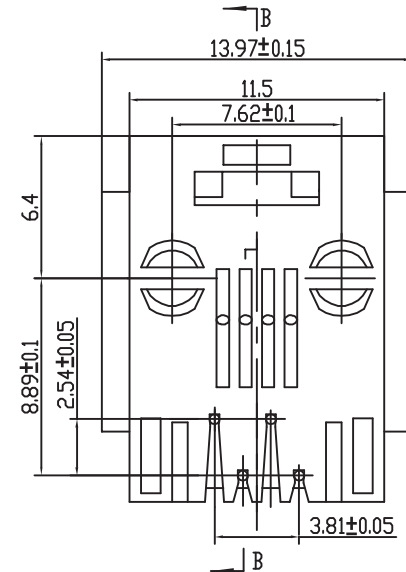
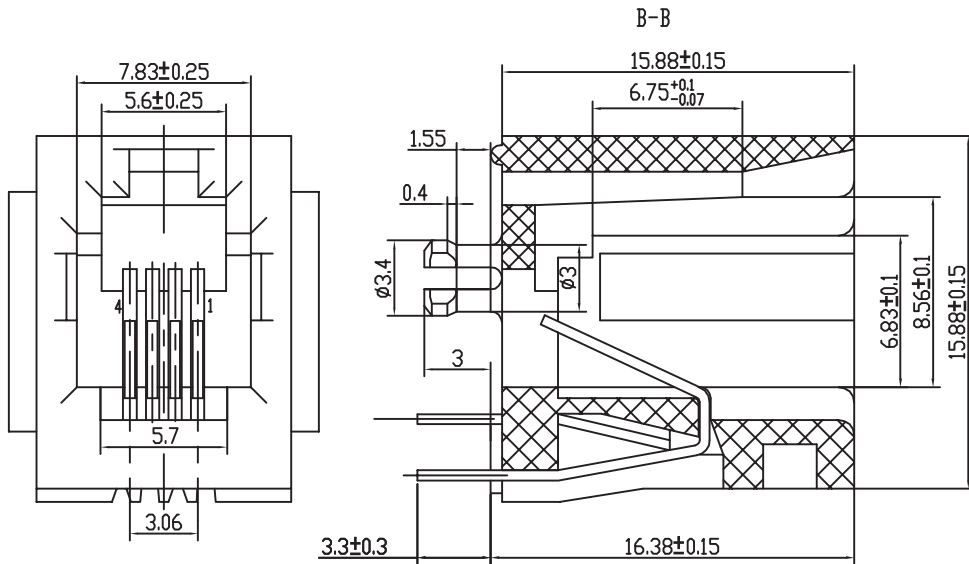
MATERIAL  
 INSULATOR MATERIAL: PBT  
 FLAMMABILITY RATING: UL94-V0  
 COLOR: BLACK  
 CONTACT MATERIAL: COPPER ALLOY  
 CONTACT TYPE: STAMPED  
 CONTACT PLATING: GOLD  
 QUALITY CLASS: 500 MATING CYCLES

ENVIRONMENTAL  
 OPERATING TEMPERATURE: -25 °C UP TO 85 °C  
 COMPLIANCE: LEAD FREE AND ROHS

ELECTRICAL  
 CURRENT RATING: 1.5 A  
 WORKING VOLTAGE: 120 VAC  
 INSULATION RESISTANCE: >500 MΩ  
 DIELECTRIC WITHSTANDING VOLTAGE: 1 000 VAC/MIN  
 CONTACT RESISTANCE: 20 mΩ MAX

SOLDERING  
 JEDEC LEAD FREE WAVE SOLDERING PROCESS

PACKAGING  
 TRAY



|                |           |                |    |
|----------------|-----------|----------------|----|
| RoHS Compliant |           |                |    |
| G              |           |                |    |
| F              |           |                |    |
| E              |           |                |    |
| D              | 30-JUL-15 | SHIELDING      | AK |
| C              | 28-JUL-14 | GENERAL UPDATE | AS |
| B              | 03-JAN-14 | TPK DWG ADD    | QL |
| A              | 04-NOV-08 | PDF            | CH |
| REV            | DATE      | FILE           | BY |

|  |  |  |  |
|--|--|--|--|
|  |  |  |  |
|  |  |  |  |
|  |  |  |  |
|  |  |  |  |
|  |  |  |  |
|  |  |  |  |
|  |  |  |  |
|  |  |  |  |
|  |  |  |  |
|  |  |  |  |

|               |
|---------------|
| PROJECTION:   |
|               |
| APPROVAL: JTs |

|                   |
|-------------------|
| GENERAL TOLERANCE |
| .X = +/- 0.2      |
| .XX = +/- 0.15    |
| UNIT: MM          |
| SCALE:            |
| SHEET: 1/2        |
| DRAW:             |

|   |           |
|---|-----------|
|   |           |
| DESCRIPTION: VERTICAL PLASTIC 4P4C MODULAR JACK | SIZE      |
| WERI PART NO: 615 004 144 021                   | <b>A4</b> |

A

B

C

D

1

2

3

4

5

## Cautions and Warnings:

This electronic component is designed and developed with the intention for use in general electronics equipments.

Before incorporating the components into any equipments in the field such as aerospace, aviation, nuclear control, submarine, transportation, (automotive control, train control, ship control), transportation signal, disaster prevention, medical, public information network etc. where higher safety and reliability are especially required or if there is possibility of direct damage or injury to human body, Würth Elektronik must be asked for a written approval.

In addition, even electronic component in general electronic equipments, when used in electrical circuits that require high safety, reliability functions or performance, the sufficient reliability evaluation-check for the safety must be performed before by the user before usage.

A

B

C

RoHS Compliant

|     |           |      |    |  |                   |   |                   |
|-----|-----------|------|----|--|-------------------|---|-------------------|
| G   |           |      |    | PROJECTION:<br> | GENERAL TOLERANCE |  |                   |
| F   |           |      |    |  |                   |   |                   |
| E   |           |      |    |  |                   |   |                   |
| D   |           |      |    |  |                   |   |                   |
| C   |           |      |    | APPROVAL: JC   | UNIT: MM          | DESCRIPTION: DISCLAIMER   | SIZE<br><b>A4</b> |
| B   |           |      |    |  | SCALE:            |   |                   |
| A   | 10-SEP-14 | PDF  | QL |  | SHEET: 2/2        | WERI PART NO: DISCLAIMER  |                   |
| REV | DATE      | FILE | BY |  | DRAW: QL          |   |                   |

D

# Mouser Electronics

Authorized Distributor

Click to View Pricing, Inventory, Delivery & Lifecycle Information:

[Wurth Electronics:](#)

[615004144021](#)