

FIG. 1

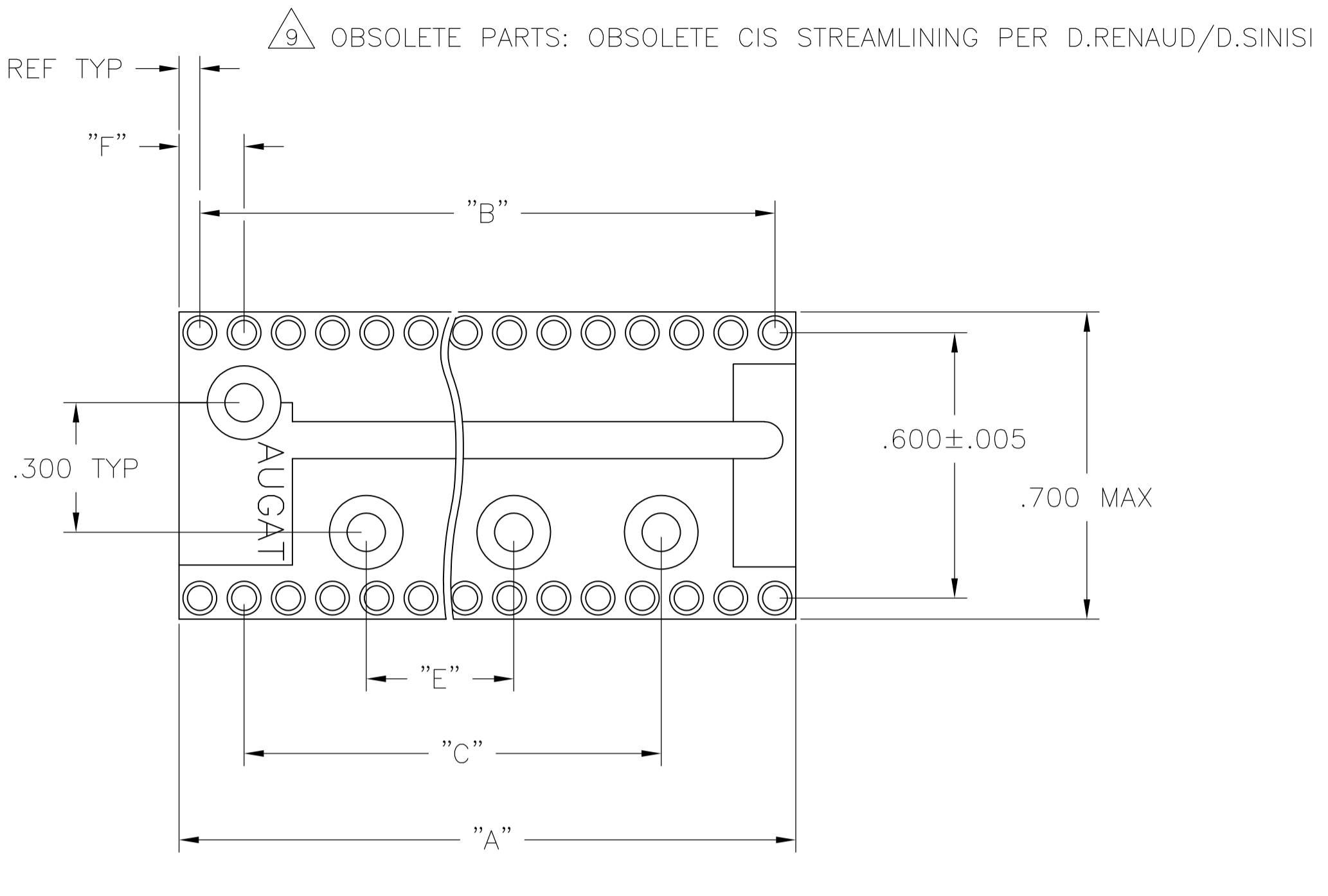


FIG. 2

- 1 INSULATOR MATERIAL - THERMOPLASTIC POLYESTER, PCT, BLACK, UL94 V-O.
- 2 STAMPED CONTACT BECU, PLATED WITH 80-200 μIN THK, TIN, (LEAD FREE) OVER 75-100 μIN THK COPPER.
- 3 SLEEVE - NICKEL, PLATED WITH 180-340 μIN THK, TIN, (LEAD FREE) OVER 75-100 μIN THK NICKEL.
- 4 STAMPED CONTACT-BECU, PLATED WITH 25 MIN. GOLD OVER 50-100μIN NICKEL.
- 5 STAMPED CONTACT-BECU, PLATED WITH GOLD FLASH OVER 50-100μIN NICKEL.
- 6 ELECTRICAL:
 CONTACT RESISTANCE: 10 MILLIOHMS MAX
 CONTACT RATING: 3 AMPS
 CAPACITANCE: 1.0 pF PER MIL-STD-202, METHOD 305
 INSULATION RESISTANCE: 5000 MOHMS MIN @ 500 VDC PER EIA-364-21
 DIELECTRIC WITHSTANDING VOLTAGE: 1000 VOLTS (RMS) PER EIA-364-20
- 7 MECHANICAL:
 AFTER INSERTION FORCE: 179 GRAMS AVG
 AFTER WITHDRAWAL FORCE: 63 GRAMS AVG
 ACCEPTS IC PIN-.009"x.015" THROUGH .011"x.020", OR .016" TO .021" DIAMETER, .150/.105 LONG
- 8 ENVIRONMENTAL:
 OPERATING TEMPERATURE: -55°C TO -105°C

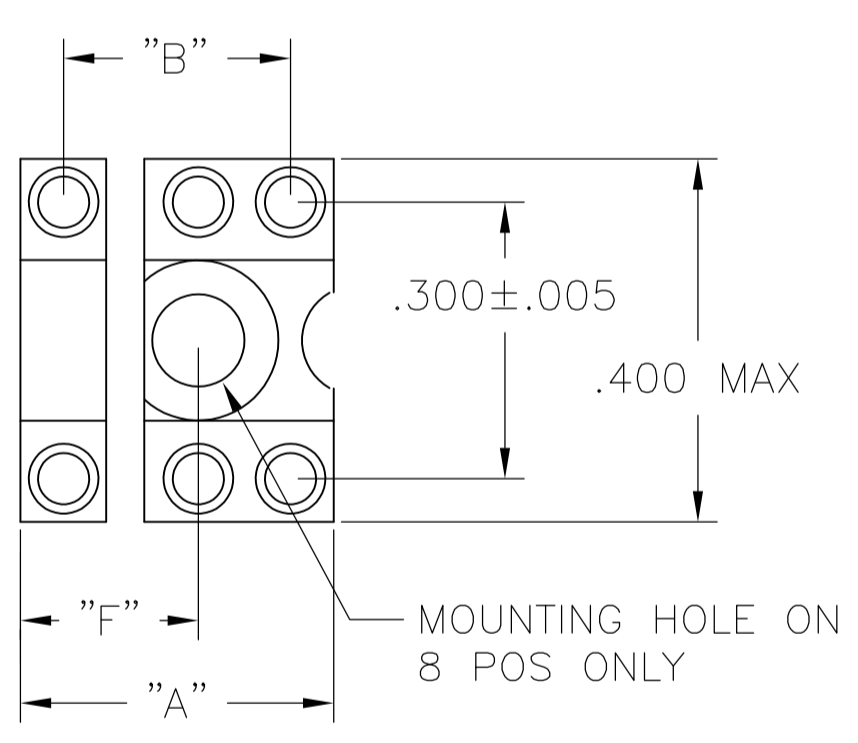


FIG. 3

6 POS MOUNTING HOLE OMITTED

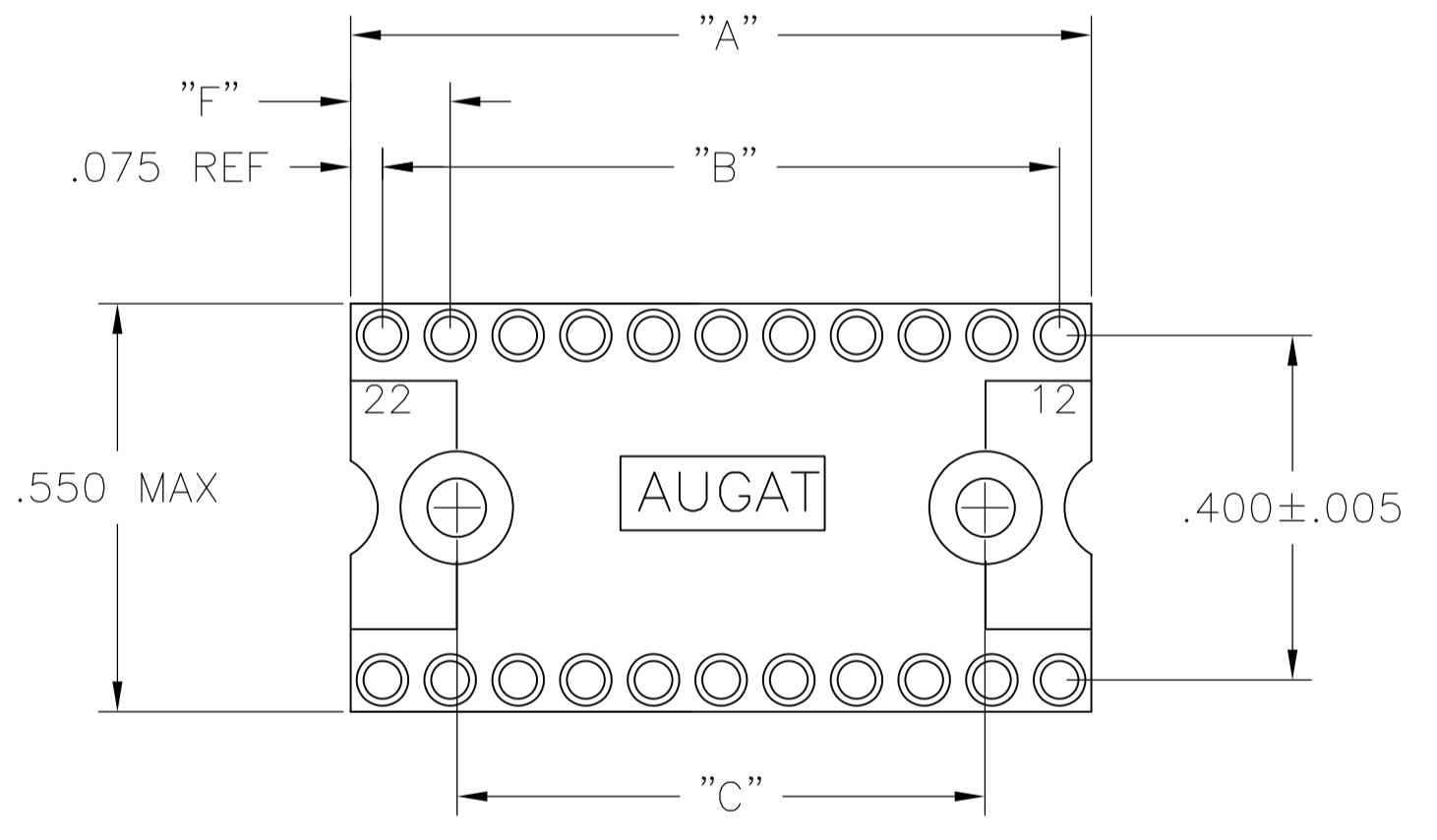
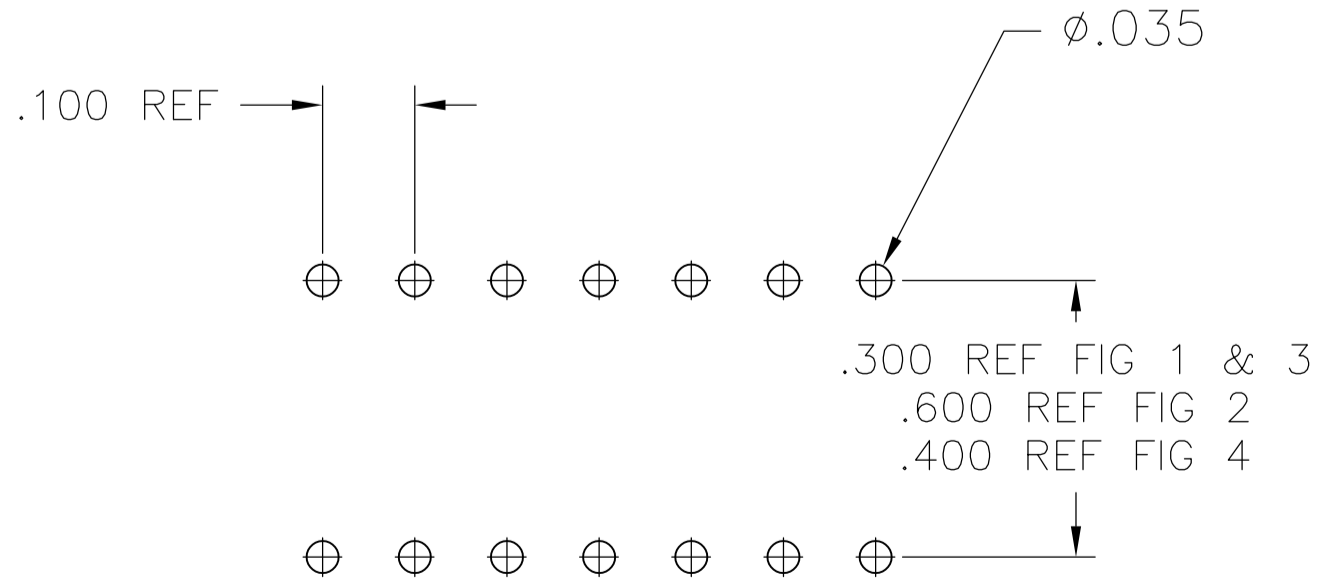
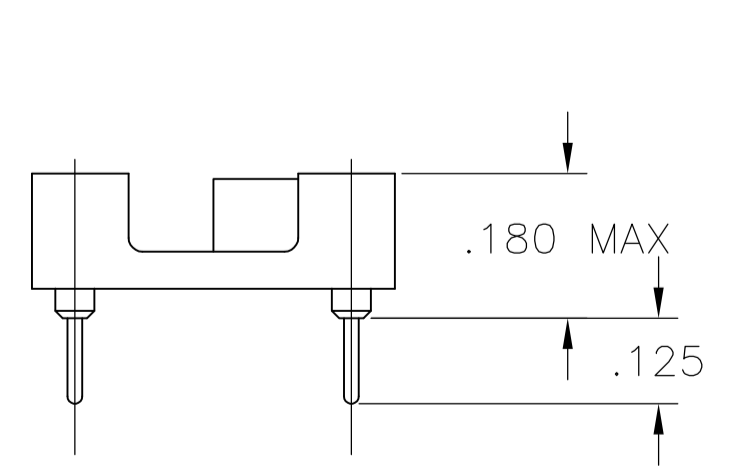
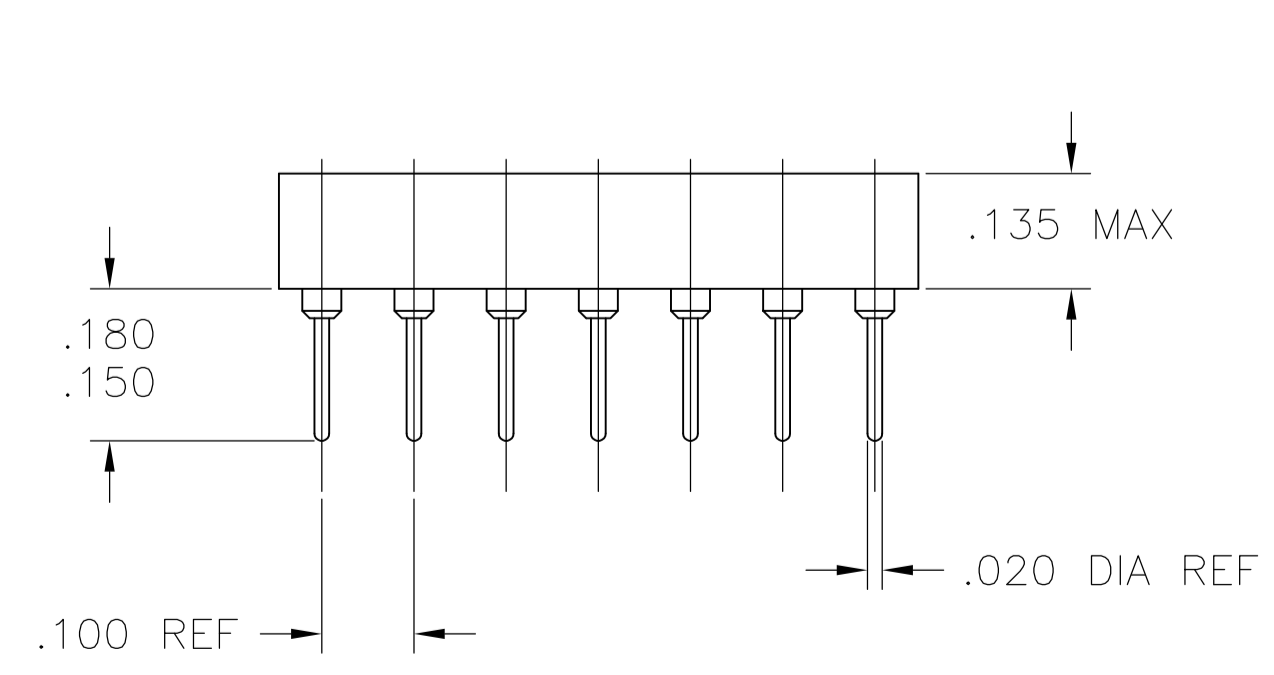


FIG. 4



P.C.B. HOLE LAYOUT
 TOLERANCE ±.003

FINISH	FIG	F	E	D	C	B	"A" MAX	NO. OF POSN	PART NO.
3 4	4	.150	-	-	.900	1.100	1.200	24	5-1571551-3
3 4	2	.150	.500	.900	1.500	1.900	2.000	40	5-1571551-2
3 4	2	.150	.500	.900	1.500	1.700	1.800	36	5-1571551-1
3 4	2	.150	.500	.900	-	1.500	1.600	32	5-1571551-0
3 4	2	.150	.500	.900	-	1.300	1.400	28	4-1571551-9
3 4	2	.150	.500	.900	-	1.100	1.200	24	4-1571551-8
3 4	4	.175	-	-	.800	1.000	1.150	22	4-1571551-7
3 4	1	.250	-	-	.500	.900	1.000	20	4-1571551-6
3 4	1	.150	-	-	.600	.800	.900	18	4-1571551-5
3 4	1	.150	-	-	.500	.700	.800	16	4-1571551-4
3 4	1	.150	-	-	.400	.600	.700	14	4-1571551-3
3 4	3	.200	-	-	-	.300	.400	8	4-1571551-2
3 4	3	-	-	-	-	.200	.300	6	4-1571551-1
3 5	4	.150	-	-	.900	1.100	1.200	24	3-1571551-3
3 5	2	.150	.500	.900	1.500	1.900	2.000	40	3-1571551-2
3 5	2	.150	.500	.900	1.500	1.700	1.800	36	3-1571551-1
3 5	2	.150	.500	.900	-	1.500	1.600	32	3-1571551-0
3 5	2	.150	.500	.900	-	1.300	1.400	28	2-1571551-9
3 5	2	.150	.500	.900	-	1.100	1.200	24	2-1571551-8
3 5	4	.175	-	-	.800	1.000	1.150	22	2-1571551-7
3 5	1	.250	-	-	.500	.900	1.000	20	2-1571551-6
3 5	1	.150	-	-	.600	.800	.900	18	2-1571551-5
3 5	1	.150	-	-	.500	.300	.800	16	2-1571551-4
3 5	1	.150	-	-	.400	.600	.700	14	2-1571551-3
3 5	3	.200	-	-	-	.300	.400	8	2-1571551-2
3 5	3	-	-	-	-	.200	.300	6	2-1571551-1
2 3	4	.150	-	-	.900	1.100	1.200	24	1-1571551-3
2 3	2	.150	.500	.900	1.500	1.900	2.000	40	1-1571551-2
2 3	2	.150	.500	.900	1.500	1.700	1.800	36	1-1571551-1
2 3	2	.150	.500	.900	-	1.500	1.600	32	1-1571551-0
2 3	2	.150	.500	.900	-	1.300	1.400	28	1571551-9
2 3	2	.150	.500	.900	-	1.100	1.200	24	1571551-8
2 3	4	.175	-	-	.800	1.000	1.150	22	1571551-7
2 3	1	.250	-	-	.500	.900	1.000	20	1571551-6
2 3	1	.150	-	-	.600	.800	.900	18	1571551-5
2 3	1	.150	-	-	.500	.300	.800	16	1571551-4
2 3	1	.150	-	-	.400	.600	.700	14	1571551-3
2 3	3	.200	-	-	-	.300	.400	8	1571551-2
2 3	3	-	-	-	-	.200	.300	6	1571551-1

9 OBSOLETE

THIS DRAWING IS A CONTROLLED DOCUMENT. DTN T.KRAYBILL 080C03
 CHK K.WRIGHT
 APVD K.WRIGHT
 PRODUCT SPEC

TE Connectivity

CLOSED FRAME DIP, ECONOMY LEAD FREE
 (REF AUGAT 500 SERIES)
 ECONOMY (STAMPED CONTACT)

SIZE A1 CASE CODE DRAWING NO 00779C=1571551 RESTRICTED TO
 WEIGHT --

CUSTOMER DRAWING SCALE 4:1 SHEET 1 OF 1 REV C6

Mouser Electronics

Authorized Distributor

Click to View Pricing, Inventory, Delivery & Lifecycle Information:

[TE Connectivity:](#)

[4-1571551-3](#)