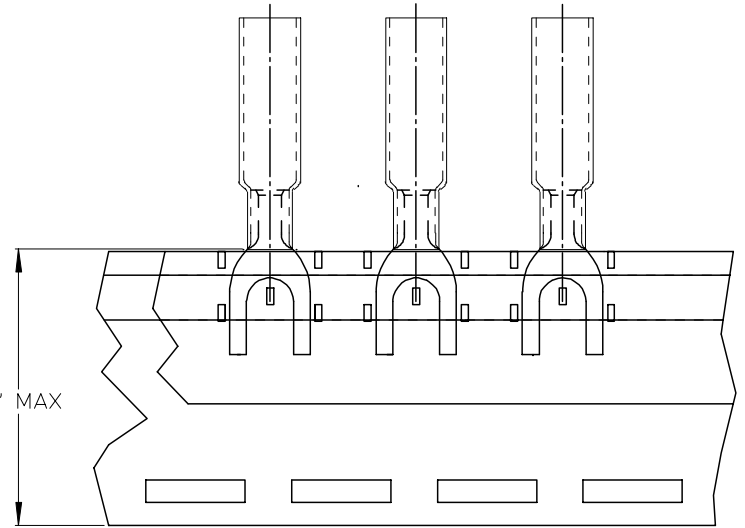
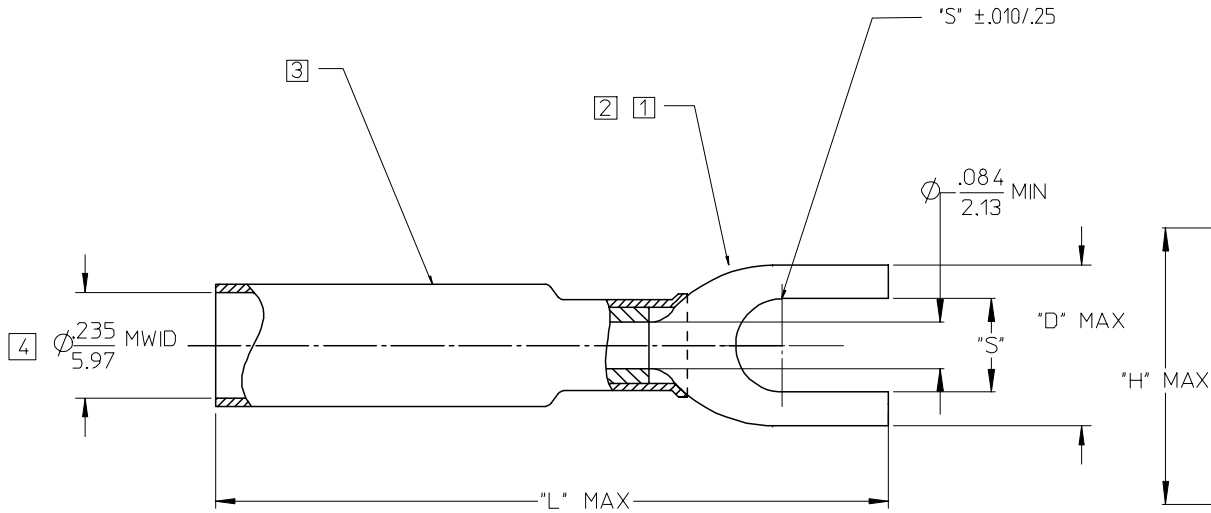


MATERIAL NUMBER LOOSE PC.	ENGINEERING NUMBER LOOSE PC.	MATERIAL NUMBER ON TAPE	ENGINEERING NUMBER ON TAPE	STUD SIZE	STUD HOLE SIZE "S" ±.005/.13	"D"	"H"	"L"
191640028	SB-227-06	191640948	SB-227-06T	#06	∅.146/3.71	.37/9.4	.990/25.15	1.42/36.1
191640029	SB-227-08	191640949	SB-227-08T	#08	∅.173/4.39	.40/10.2	.990/25.15	1.42/36.1
191640030	SB-227-10	191640950	SB-227-10T	#10	∅.198/5.03	.40/10.2	.990/25.15	1.42/36.1



- NOTES:
 [1] TERMINAL MATERIAL: COPPER ALLOY .031/0.79 THK.
 [2] FINISH: ELECTRO TIN PLATE.
 [3] INSULATION MATERIAL: PERMA-SEAL SHRINKABLE TUBING WITH HOT-MELT ADHESIVE INNER LINER. COLOR: BLUE.
 [4] MWID = MAXIMUM WIRE INSULATION DIAMETER.

PROPOSED EC NO: C	2005/06/28 DRWNL SHADECK 2005/07/21 CHKD: ROSS 2005/07/21 APPR: JPAWLIK	DESCRIPTION	QUALITY SYMBOLS	GENERAL TOLERANCES (UNLESS SPECIFIED)	DIMENSION STYLE	SCALE	DESIGN UNITS	THIRD ANGLE PROJECTION
			▽ = 0 ▽ = 0	mm INCH	IN/MM	4:1	INCH	
REV				4 PLACES ± --- ± ---	DRAWN BY DATE	TITLE	MOLEX INCORPORATED	SHEET NO.
				3 PLACES ± --- ± ---	BE 02/09/03			
				2 PLACES ± --- ± ---	CHECKED BY DATE	SD-19164-027	1 OF 1	
				1 PLACE ± --- ± ---	HB 02/09/03			
				ANGULAR ± .5 °	APPROVED BY DATE			
					RD 02/09/03			
				DRAFT WHERE APPLICABLE MUST REMAIN WITHIN DIMENSIONS	MATERIAL NO. SEE CHART			
					SIZE B	THIS DRAWING CONTAINS INFORMATION THAT IS PROPRIETARY TO MOLEX INCORPORATED AND SHOULD NOT BE USED WITHOUT WRITTEN PERMISSION		