

1 2 3 4 5 6

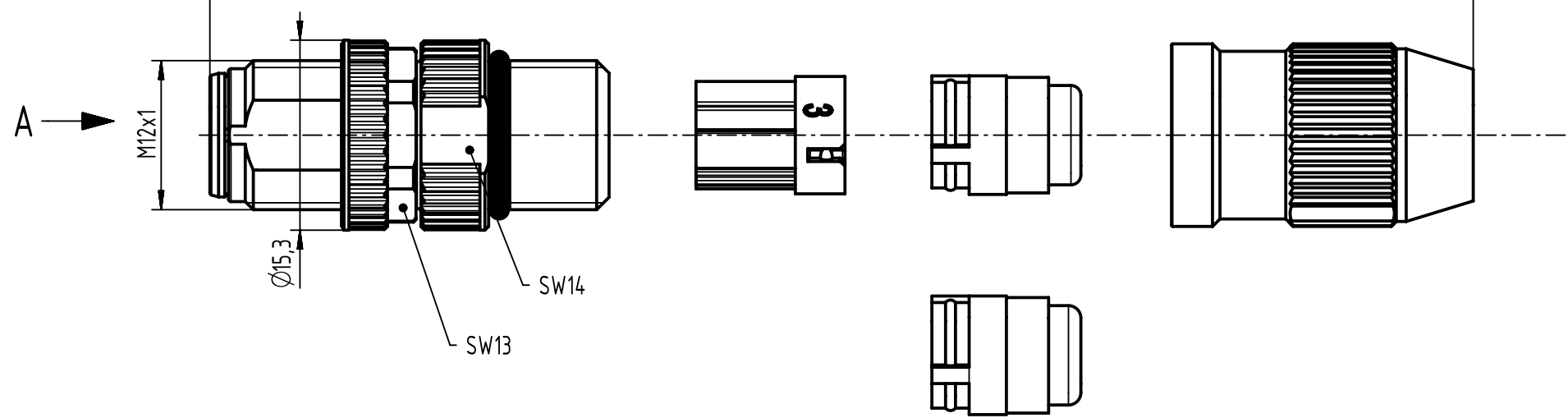
A

B

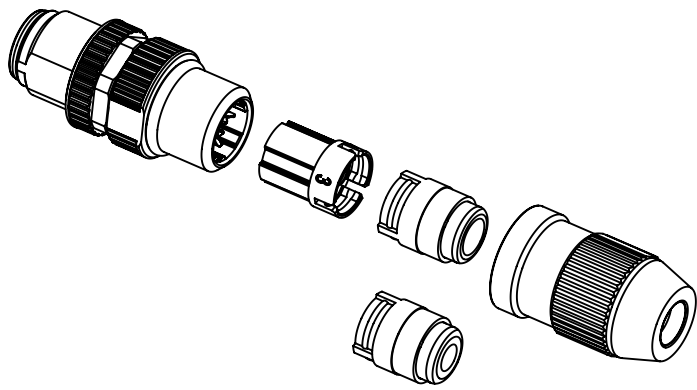
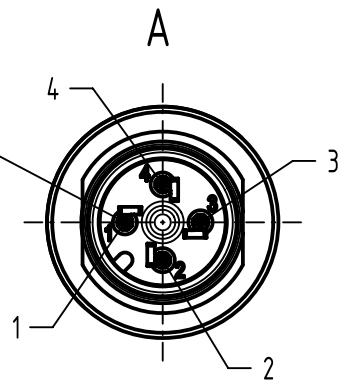
C

D

complete length when assembled app. 46.75mm



contact face acc. to IEC 61076-2-101



conductor cross section	0.14 - 0.34mm ² AWG26-AWG22
cable outside diameter	2.9 - 5.1mm

	All rights reserved Department EC PD - DE	All Dimensions in mm Original Size DIN A4		Scale 2:1	Free size tol.	Ref. Sub. TB 2103111405 EC03545 2011-07-15	
		Created by EISFELD	Inspected by WELLMANN	Standardisation HOFFMANN	Date 2016-07-26	State Final Release	
HARTING Electronics GmbH D-32339 Espelkamp		Title M12-S male 4-pole				Doc-Key / ECM-Nr. 100228396/UGD/002/A 500000106933	
		Type TB	Number 2103111405			Rev. A	Page 1/1

Mouser Electronics

Authorized Distributor

Click to View Pricing, Inventory, Delivery & Lifecycle Information:

[HARTING:](#)

[21031111405](#)