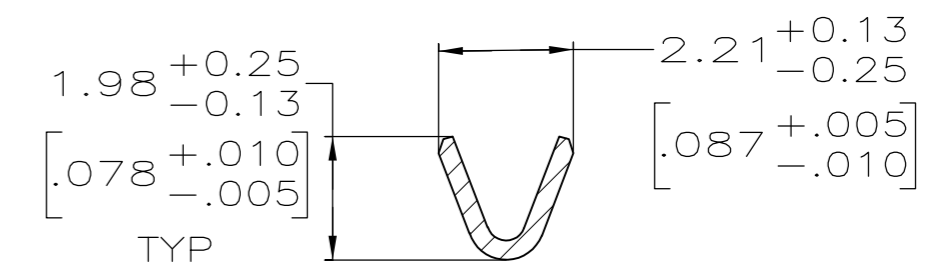
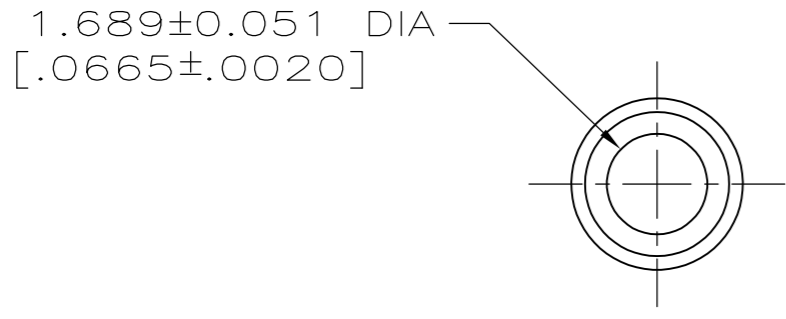
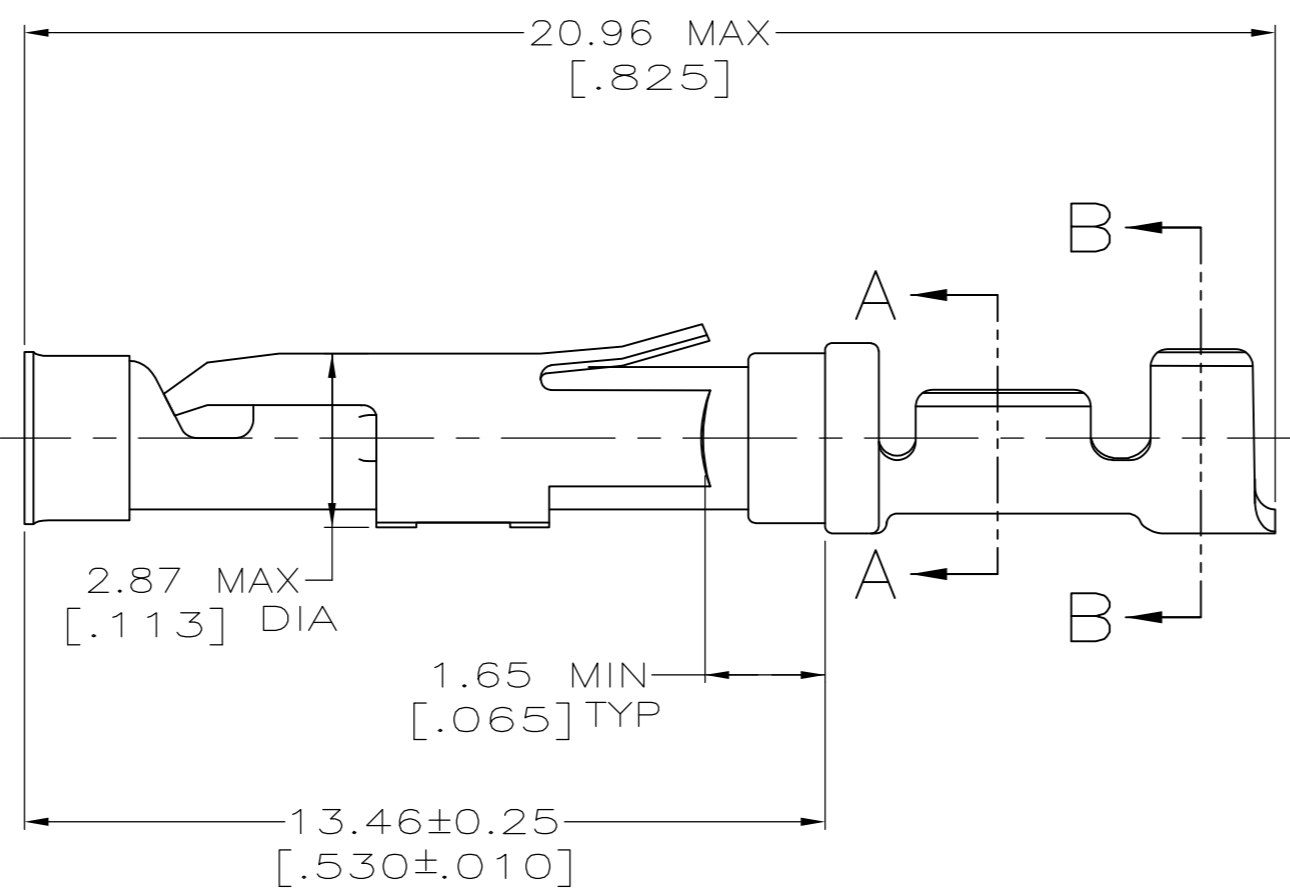
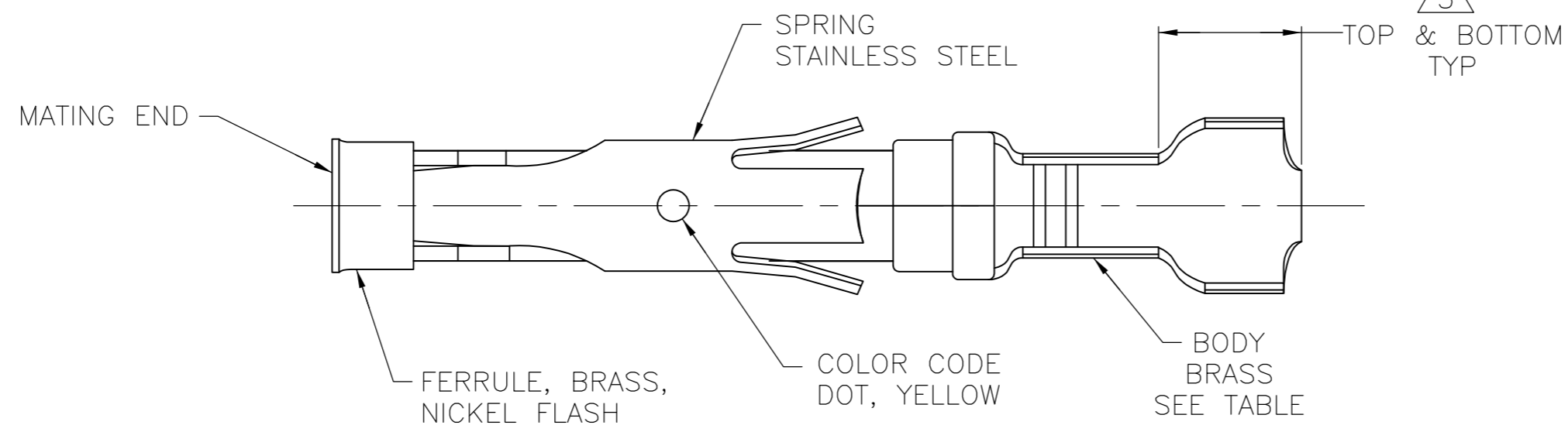
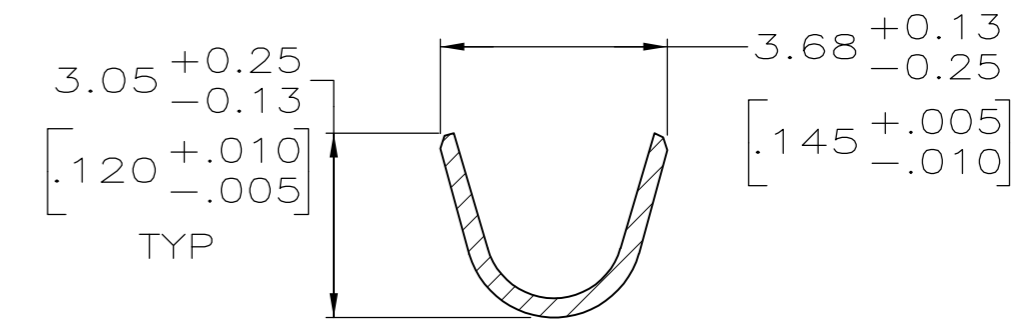


THIS DRAWING IS UNPUBLISHED. RELEASED FOR PUBLICATION
 © COPYRIGHT - By - ALL RIGHTS RESERVED.

LOC	DIST	REVISIONS					
FT	47	P	LTR	DESCRIPTION	DATE	DWN	APVD
		P1		REVISED PER ECO-14-001124	24JAN2014	NK	MZ



SECTION A-A



SECTION B-B

- 1 0.76µm [.000030] MIN GOLD PER MIL-G-45204 ON MATING END FOR A LENGTH OF 5.08 [.200] MIN WITH 1.27µm [.000050] MIN MATTE TIN PLATE IN WIRE CRIMP AREA, BOTH OVER 0.76µm [.000030] MIN NICKEL PER QQ-N-290.
- 2 0.76µm [.000030] MIN GOLD PER MIL-G-45204 ON MATING END FOR A LENGTH OF 5.08 [.200] MIN WITH A UNIFORM GRADIENT TO 0.25µm [.000010] MIN GOLD PER MIL-G-45204 ON THE REMAINDER OVER 0.76µm [.000030] MIN NICKEL PER QQ-N-290.
- 3 0.38µm [.000015] MIN GOLD PER MIL-G-45204 ON MATING END FOR A LENGTH OF 5.08 [.200] MIN WITH 1.27µm [.000050] MIN MATTE TIN PLATE IN WIRE CRIMP AREA, BOTH OVER 0.76µm [.000030] MIN NICKEL PER QQ-N-290.
- 4 1.27µm [.000050] MIN TIN-LEAD PER MIL-T-10727 OVER 0.76µm [.000030] MIN NICKEL PER QQ-N-290.
- 5 GOLD PLATING NEED NOT APPEAR IN THIS AREA.
- 6 WIRE RANGE 24-20 AWG. INSULATION RANGE 2.03[.080]-2.54[.100].
- 7 0.38µm [.000015] MIN GOLD PER MIL-G-45204 ON MATING END FOR A LENGTH OF 5.08 [.200] MIN, 1.27µm [.000050] MIN TIN-LEAD PER MIL-T-10727 FOR A LENGTH OF 5.69 [.224] MIN ON OPPOSITE END, BOTH OVER 1.27µm [.000050] MIN NICKEL PER QQ-N-290 ON ENTIRE CONTACT.
- 8 1.27µm [.000050] MIN TIN PER MIL-T-10727 OVER 0.76µm [.000030] MIN NICKEL PER QQ-N-290.
- 9 OBSOLETE PARTS: OBSOLETE CIS STREAMLINING PER D.RENAUD/D.SINISI

PACKAGING TYPE	BODY FINISH	STRIP P/N REF	PART NO
SMALL PACK	8	1-66331-4 OR 1-66331-5	1-66399-1
STANDARD	8	1-66331-4 OR 1-66331-5	1-66399-0
SMALL PACK	1	66331-4	66399-9
9 OBSOLETE SMALL PACK	3	66331-7	66399-8
9 OBSOLETE SMALL PACK	2	66331-2	66399-7
SMALL PACK	4	66331-1	66399-6
OBSOLETE STANDARD	7	1-66331-2	66399-5
STANDARD	1	66331-4	66399-4
STANDARD	3	66331-7	66399-3
STANDARD	2	66331-2	66399-2
STANDARD	4	66331-1	66399-1

THIS DRAWING IS A CONTROLLED DOCUMENT.

DWN	R.SHIREY	7-30-91
CHK	R.STONE	9-19-91
APVD	J.ESTMAN	9-20-91

TE Connectivity

NAME: SOCKET ASSEMBLY, LOOSE PIECE, TYPE III+

SIZE	A2	CAGE CODE	00779	DRAWING NO	C=66399	RESTRICTED TO	-
MATERIAL	SEE CALLOUTS	FINISH	SEE CALLOUTS	WEIGHT	-	SCALE	8:1
CUSTOMER DRAWING				SHEET	1 OF 1	REV	P1

Mouser Electronics

Authorized Distributor

Click to View Pricing, Inventory, Delivery & Lifecycle Information:

[TE Connectivity:](#)

[66399-1](#) [66399-3](#)