

THIS DRAWING IS UNPUBLISHED.

RELEASED FOR PUBLICATION

© COPYRIGHT - By -

ALL RIGHTS RESERVED.

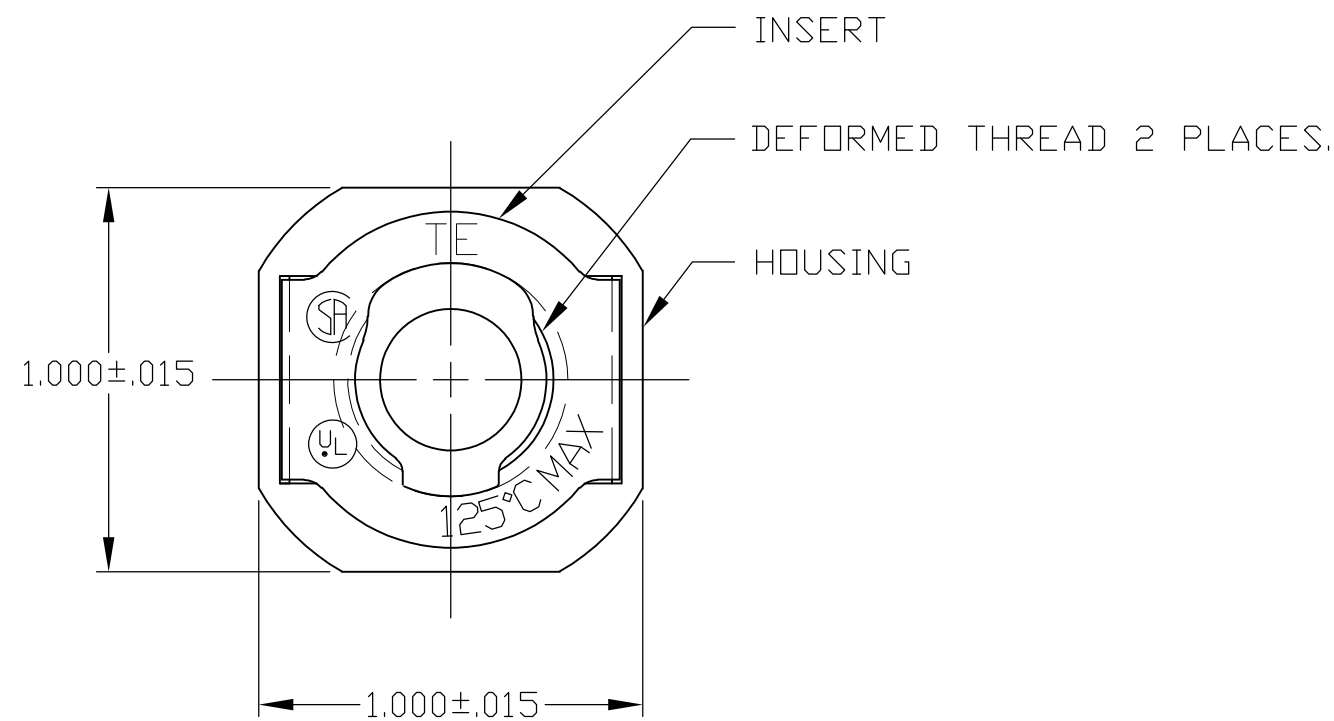
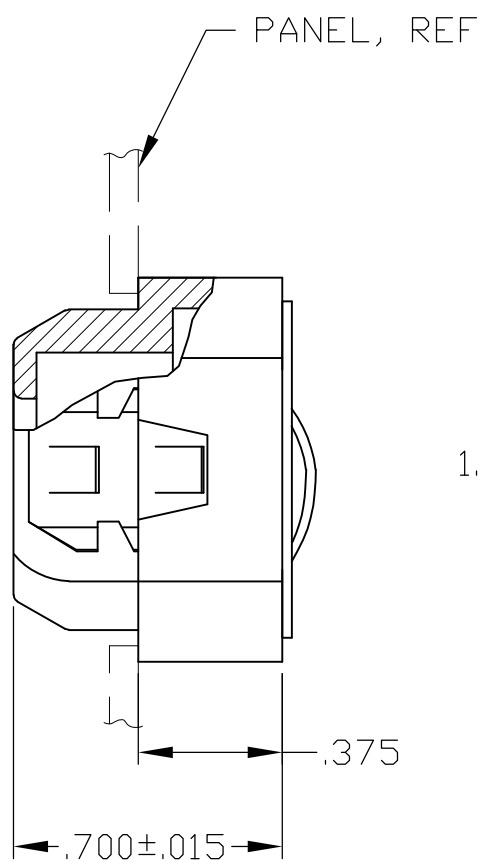
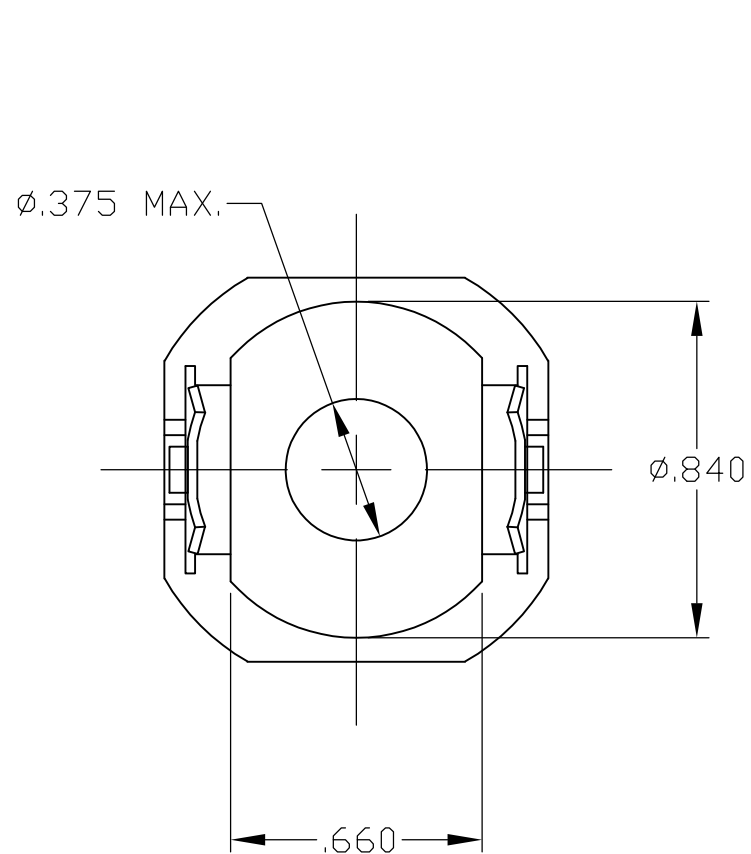
REVISIONS

P	LTR	DESCRIPTION	DATE	DWN	APVD
G		REDWN & REV ECN 0B40-0141-00	23APR00	LMH	LHS
H		REVISED PER ECR-16-015476	29DEC2016	RK	AS

1 FITS STANDARD 1/2" KNOCKOUT $.875^{+.031}_{-.015}$.

2 FITS PANEL THICKNESS .032 TO .091.

3 MATERIAL: HOUSING - NYLON, BLACK.
INSERT - .025 THK STEEL, ZINC PLATED.



207370-1

PART NUMBER

THIS DRAWING IS A CONTROLLED DOCUMENT.		DWN L. HALL	06APR00	STE TE Connectivity	
DIMENSIONS: INCHES		CHK L.H. SMITH	23JUN00		
TOLERANCES UNLESS OTHERWISE SPECIFIED:		APVD F. LINCOLN	23JUN00	NAME CONN. ASSY, 3/8 FLEXIBLE CONDUIT	
0 PLC \pm		PRODUCT SPEC		SIZE	
1 PLC \pm		APPLICATION SPEC		CAGE CODE	DRAWING NO
2 PLC \pm		WEIGHT		A3	00779
3 PLC $\pm .005$		CUSTOMER DRAWING		C=	207370
4 PLC \pm		SCALE		1:1	SHEET
ANGLES \pm		RESTRICTED TO		1	OF 1
FINISH		SCALE		1:1	REV
MATERIAL		SCALE		1:1	H
3		SCALE		1:1	

Mouser Electronics

Authorized Distributor

Click to View Pricing, Inventory, Delivery & Lifecycle Information:

[TE Connectivity:](#)

[207370-1](#)