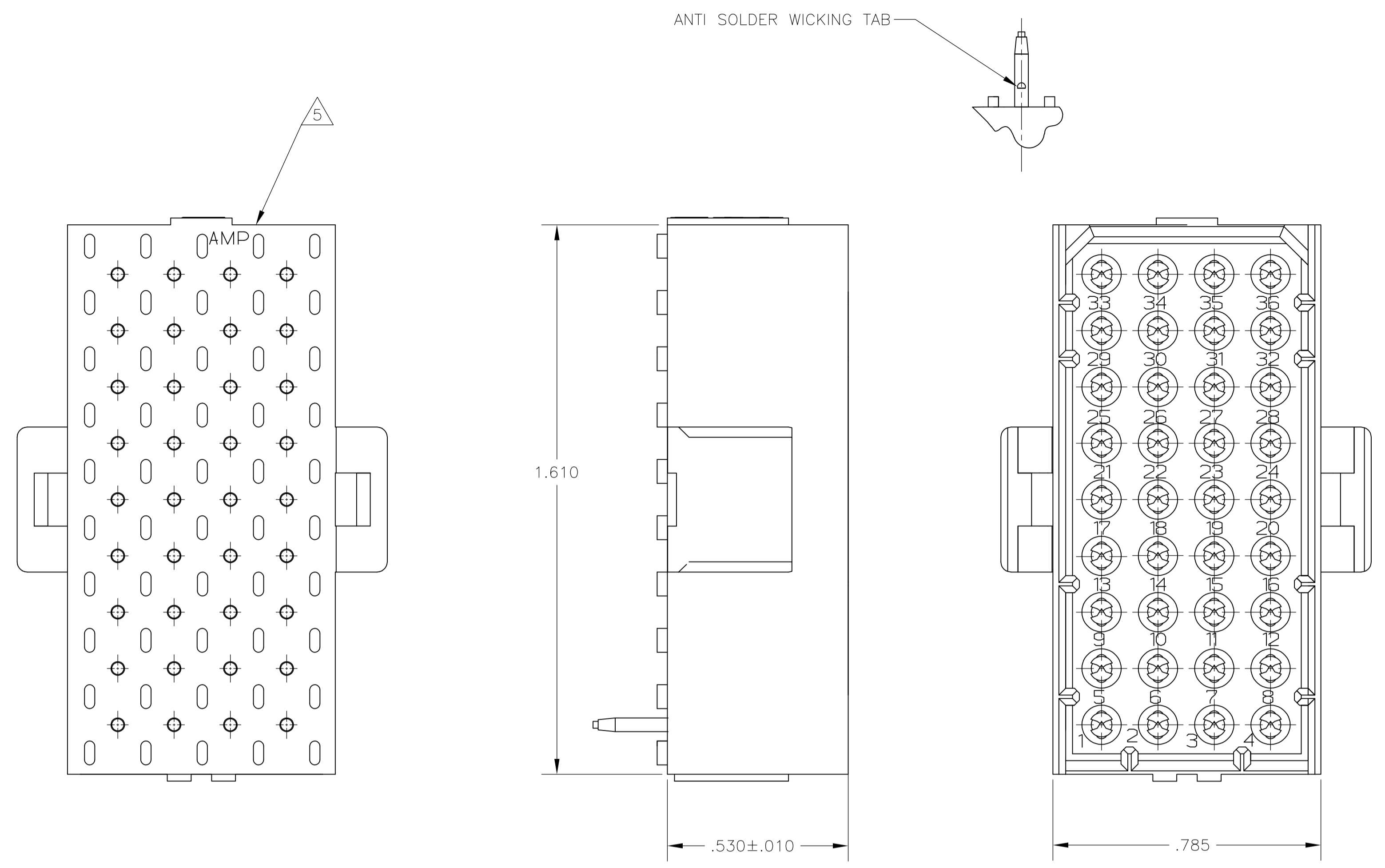
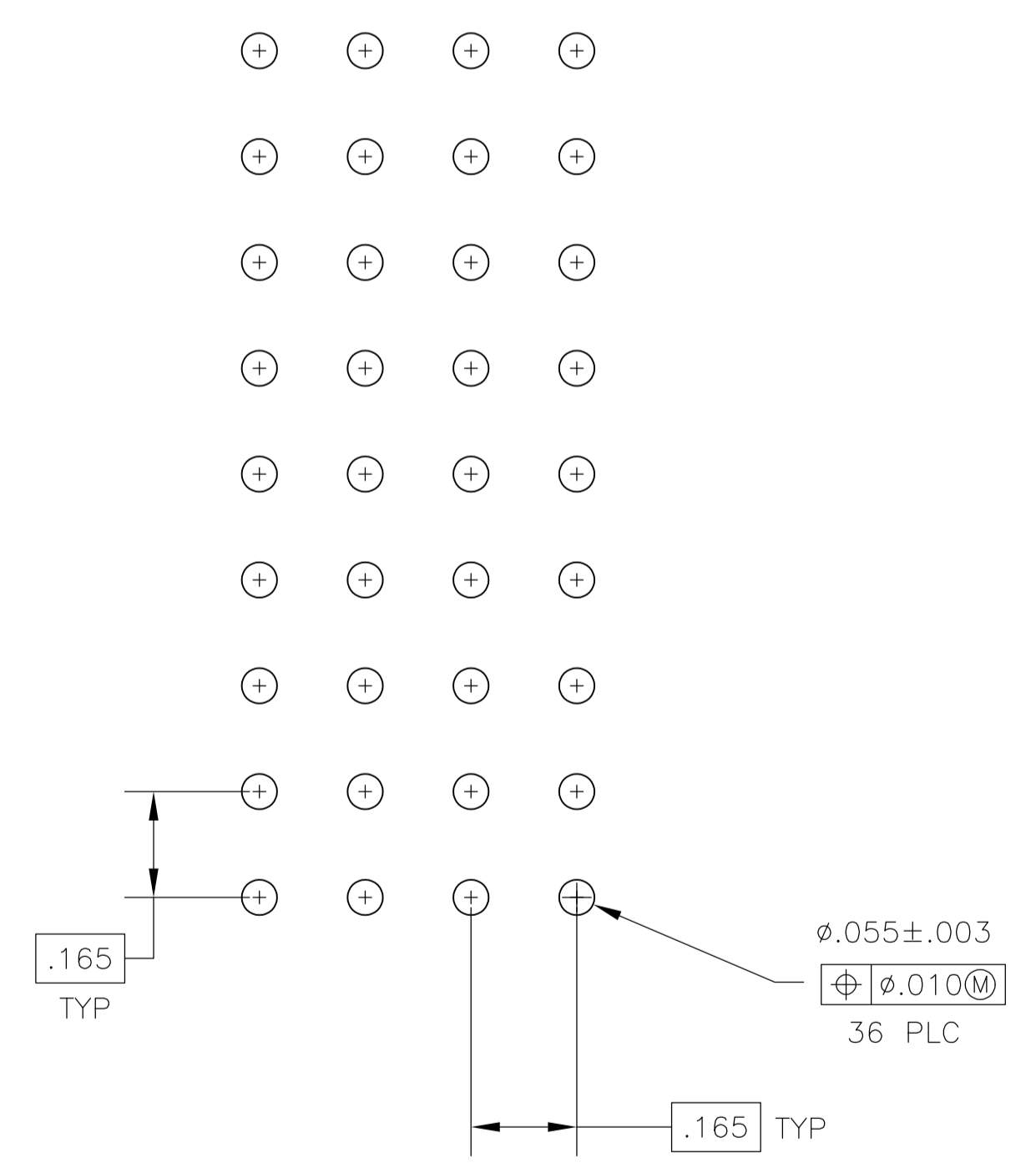


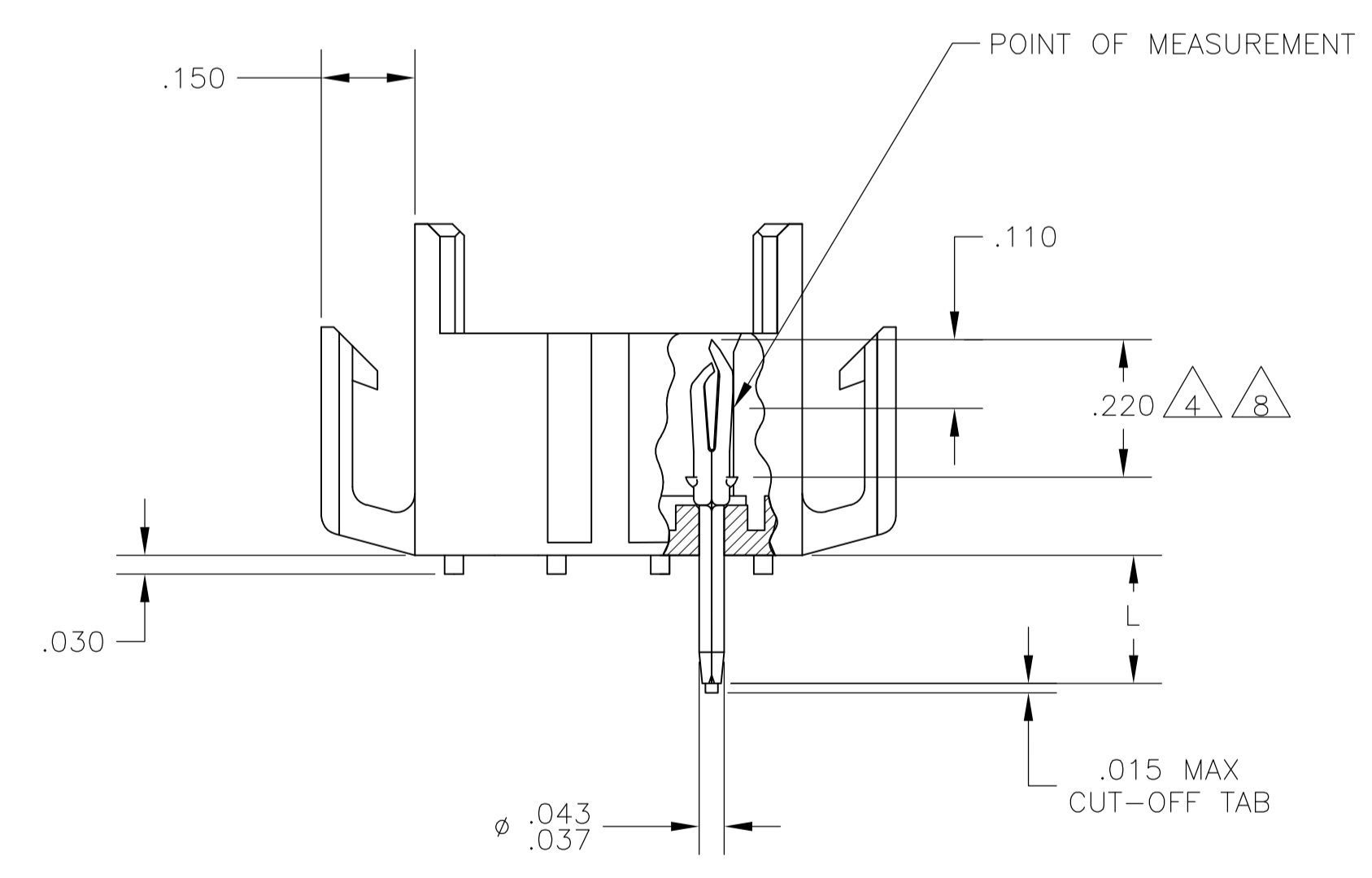
REVISIONS					
P	LTR	DESCRIPTION	DATE	DN	APVD
U		REVISED PER ECO-16-004940	03AUG2016	NK	MZ



- 1 FITS SOCKET HOUSING 640526.
- 2 ASSEMBLY CONFORMS TO AMP SOLDERABILITY SPEC. 109-11-3.
- 3 FOR USE WITH .063 THICK P.C. BOARD.
- 4 CONTACT IS PLATED OVERALL WITH .000050 NICKEL, THEN .000030 GOLD OVER CONTACT LENGTH INDICATED AND .000150 MATTE TIN-LEAD ON SOLDER TAIL END.
- 5 UL AND CSA LOGO LOCATED ON THIS SURFACE.
- 6 FOR USE WITH .120 THICK P.C. BOARD.
- 7 TRAY PACKAGED VERSION OF 640506-1. PACKAGED 54 PCS. PER TRAY AND 7 TRAYS PER BOX.
- 8 CONTACT IS PLATED OVERALL WITH .000050 NICKEL, THEN .000030 GOLD OVER CONTACT LENGTH INDICATED AND .000150 MATTE TIN ON SOLDER TAIL END.
- 9 OBSOLETE PARTS: OBSOLETE CIS STREAMLINING PER D.RENAUD/D.SINISI
- 10 PARTITION PACKED AND BOXED, 270 PCS PER CARTON.



RECOMMENDED P.C. BOARD LAYOUT



REV	DESCRIPTION	DATE	BY	CHKD	APPD		
10	OBSOLETE	.210	6	BRICK RED	GOLD 4	-1-640506-4	
		.210	6	BRICK RED	GOLD 8	2-640506-4	
		.150	3	BRICK RED	GOLD 8	2-640506-2	
7	OBSOLETE	.150	3	BRICK RED	PRE-TIN	-1-640506-0	
		.210	6	BRICK RED	GOLD 4	640506-4	
		.210	6	BRICK RED	PRE-TIN	640506-3	
		.150	3	BRICK RED	GOLD 4	640506-2	
		.150	3	BRICK RED	PRE-TIN	640506-1	
"L" +.010 -.020		HOUSING COLOR		PIN FINISH		PART NUMBER	

IN	MM	IN	MM	IN	MM
.015	0.38	.110	2.79	1.610	40.89
.010	0.25	.063	1.60	.785	19.94
.008	0.20	.055	1.40	.530	13.46
.005	0.13	.043	1.09	.220	5.59
.003	0.08	.037	0.94	.210	5.33
.000050	0.00127	.030	0.76	.165	4.19
.000030	0.00076	.020	0.51	.150	3.81

CONVERSION TABLE

THIS DRAWING IS A CONTROLLED DOCUMENT.

DIMENSIONS: INCHES	TOLERANCES UNLESS OTHERWISE SPECIFIED:	DIN J. HUFFMAN 28 APR 98	TE Connectivity
0 PLC ± -	1 PLC ± -	CHK R. SWING 28 APR 98	NAME
2 PLC ± -	3 PLC ± .005	APPD T. REDDICK 28 APR 98	PRODUCT SPEC
4 PLC ± -	ANGLES ± 0° 30'	APPLICATION SPEC	SIZE CASE CODE DRAWING NO
MATERIAL: HOUSING FLAME RETARDANT NYLON, UL 94V-0; PIN, .008 PH BRZ.	FINISH: SEE FINISH	WEIGHT	RESTRICTED TO
CUSTOMER DRAWING		SCALE 4:1	SHEET 1 OF 1 REV U

Header Assembly, Pin, 36 Position MR.

Part Number: 640506