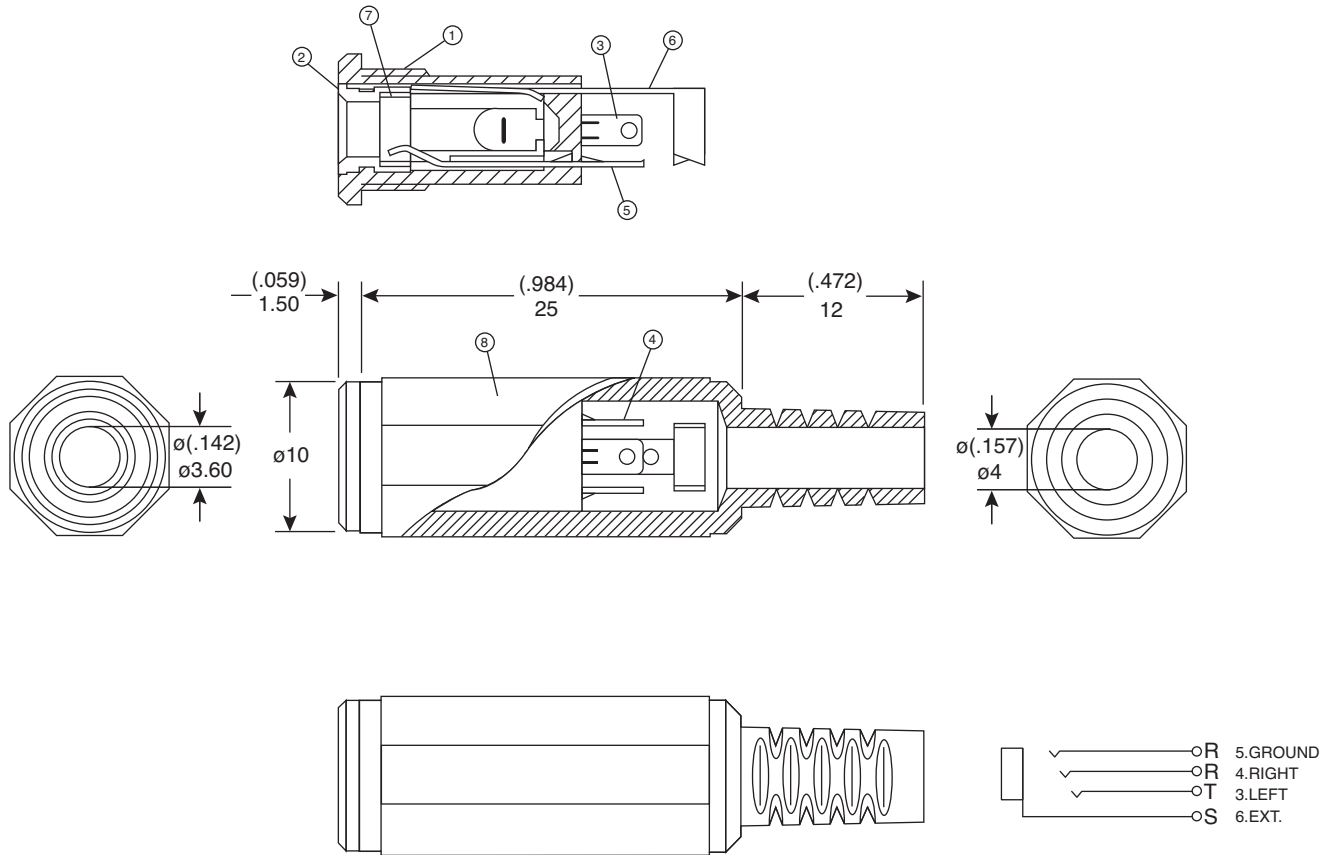


3.5mm 4 Cond In-Line Jack

161-6435-EX



3.5mm 4 Cond In-Line Jack



DIMENSIONS: mm (in.)

ELECTRICAL SPECIFICATIONS	
Dielectric Strength:	500V AC for one minute.
Contact Resistance:	50m Ohm Max.
Insulation Resistance:	100M Ohm Min. at 500V DC.

MATERIAL SPECIFICATIONS				
LET	Part Name	Material	Qty.	Finish
1	Housing	PA	1	
2	Sleeve	BSBM	1	Ni
3	Contact 1	FAB-EH t=0.25	1	Ni
4	Contact 2	FAB-EH t=0.25	1	Au
5	Contact 3	FAB-EH t=0.25	1	Ni
6	Contact 4	BSR t=0.3	1	Ni
7	Insulation Tube	PVC	1	
8	Handle	PE	1	
Mating plug:		171-7435-EX		
RoHS Compliant by Exemption				

161-6435-EX

Date Last Revised: 11-22-10

Available from Mouser Electronics
1-800-346-6873
www.mouser.com

KC-300960

Mouser Electronics

Authorized Distributor

Click to View Pricing, Inventory, Delivery & Lifecycle Information:

[Kobiconn:](#)

[161-6435-EX](#)