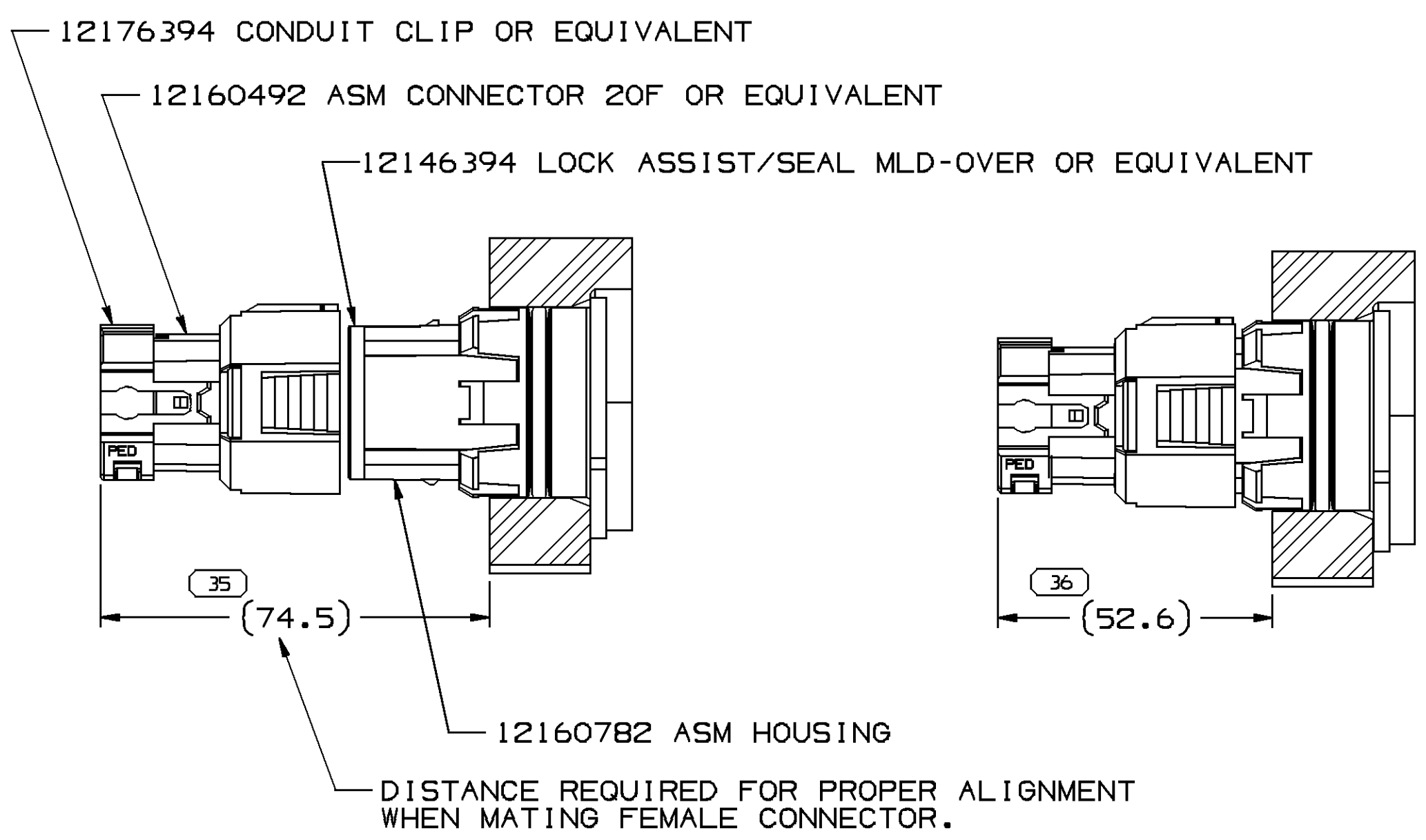


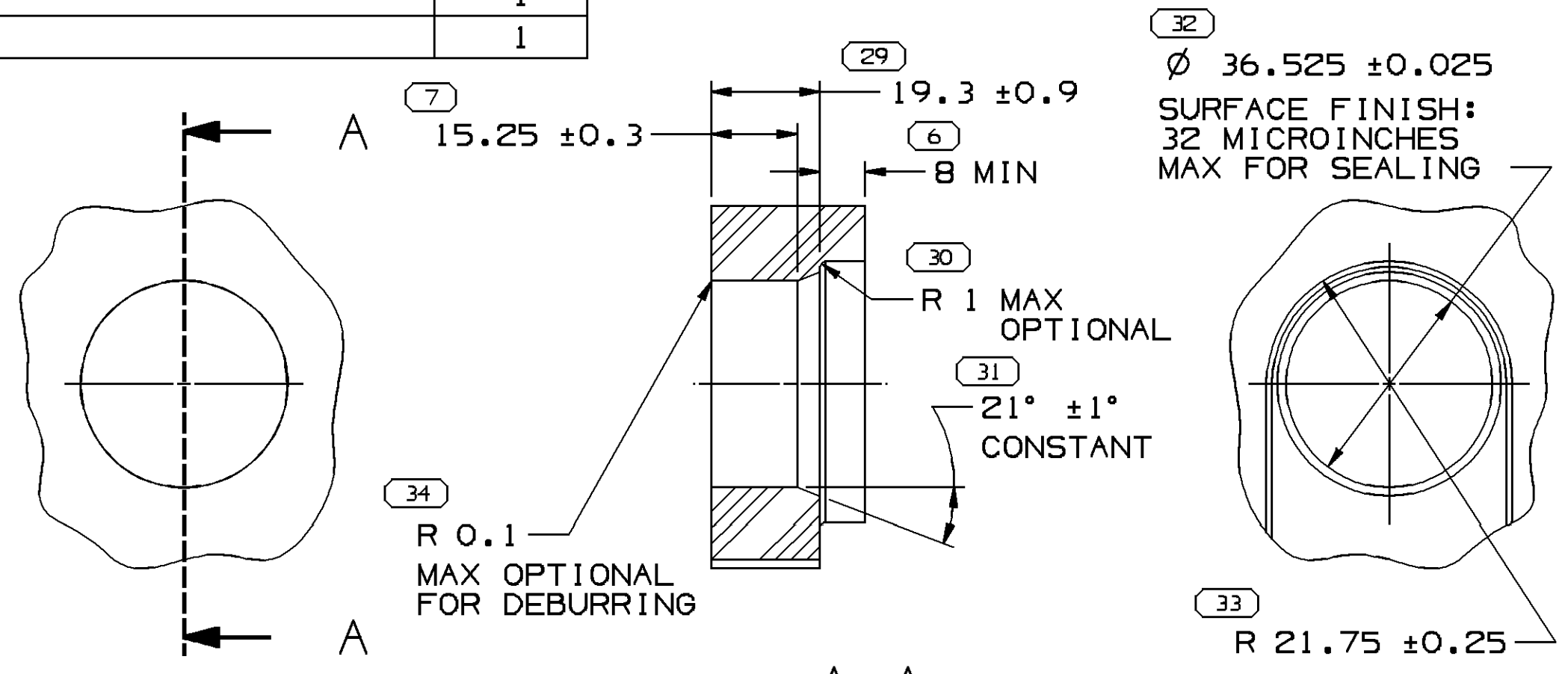
KEY PRODUCT CHARACTERISTIC SYMBOLS (◇, ⊕) INDICATE PRODUCT CHARACTERISTICS THAT REQUIRE SPECIAL CARE, DOCUMENTATION, AND ACCEPTANCE CRITERIA PER GM 1805 QN AND DELPHI PACKARD ELECTRIC SYSTEMS PROCEDURES.	
KEY PRODUCT CHARACTERISTICS	
⊕ SAFETY/COMPLIANCE	◇ FIT/FUNCTION
TOTAL ON DRAWING	1
LAST NUMBER USED	1

SYMBOL DEFINITION		MISSING NUMBERS
A DIMENSION WITHOUT AN INSPECTION REPORT SYMBOL ( ) DOES NOT REQUIRE INSPECTION. IT MAY BE CONTROLLED ON AN INDIVIDUAL COMPONENT DRAWING	TOTAL NO. OF SYMBOLS ON DRAWING	37
	LAST NO. USED	37

DWG STATUS				ZONE	REVISION HISTORY	AUTH	DR	APVD1	APVD2
DATE	STG	REV	N/P						
18SE03	R	02	-	-	REVISED TOLS (3 PLCS); NOTE #3 & GRAPHICS OF 12160781 HOUSING GRAY	245991	FKV	FKV	CSD
01AP04	R	03	-	-	ADDED KNIT NOTE, Ø 36.3 CONSTANT WAS Ø 36.3 AND Ø 36.3 +0.15/-0.3 CONSTANT WAS Ø 36.3 ±.015	253248	CCV	FRG	CSD
07JN07	R	03	AA	-	ADDED NOTE 5	401613	PCP	PCP	CSD

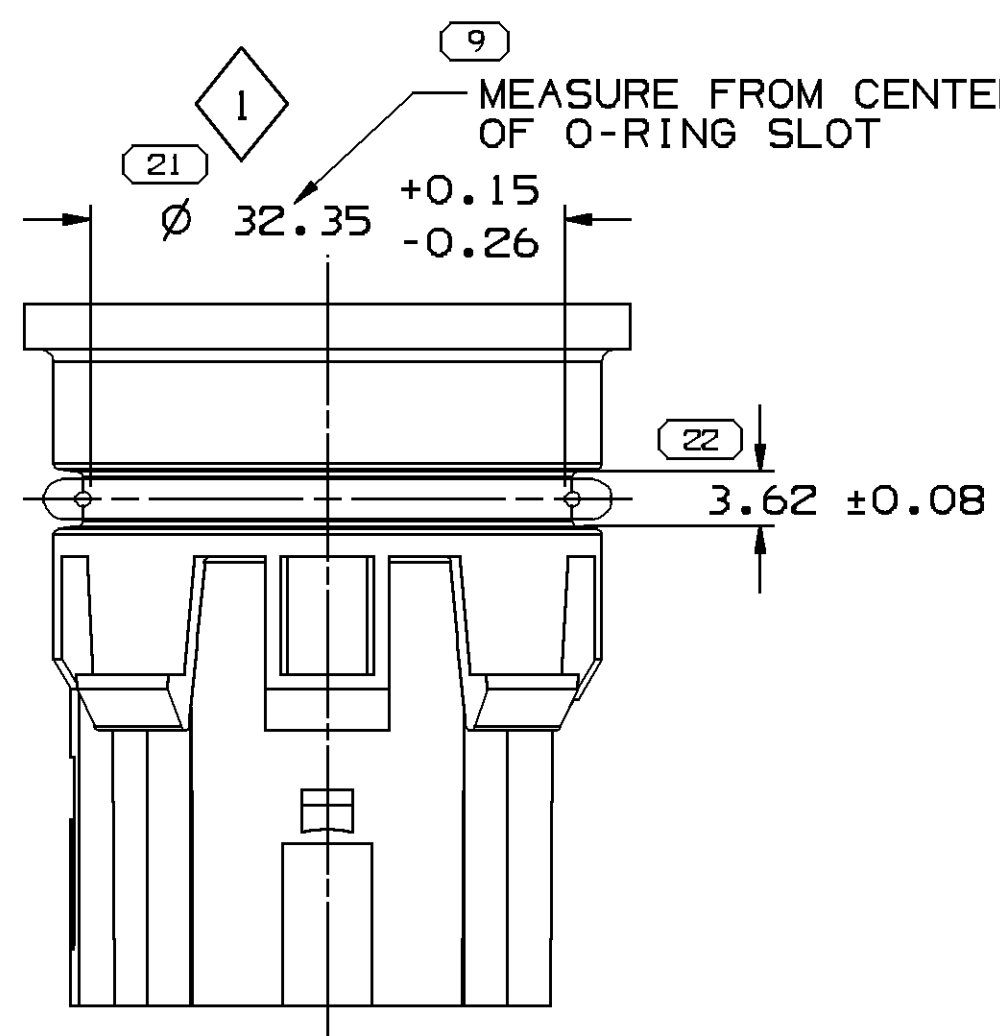


MATING INFORMATION  
SCALE 1:1



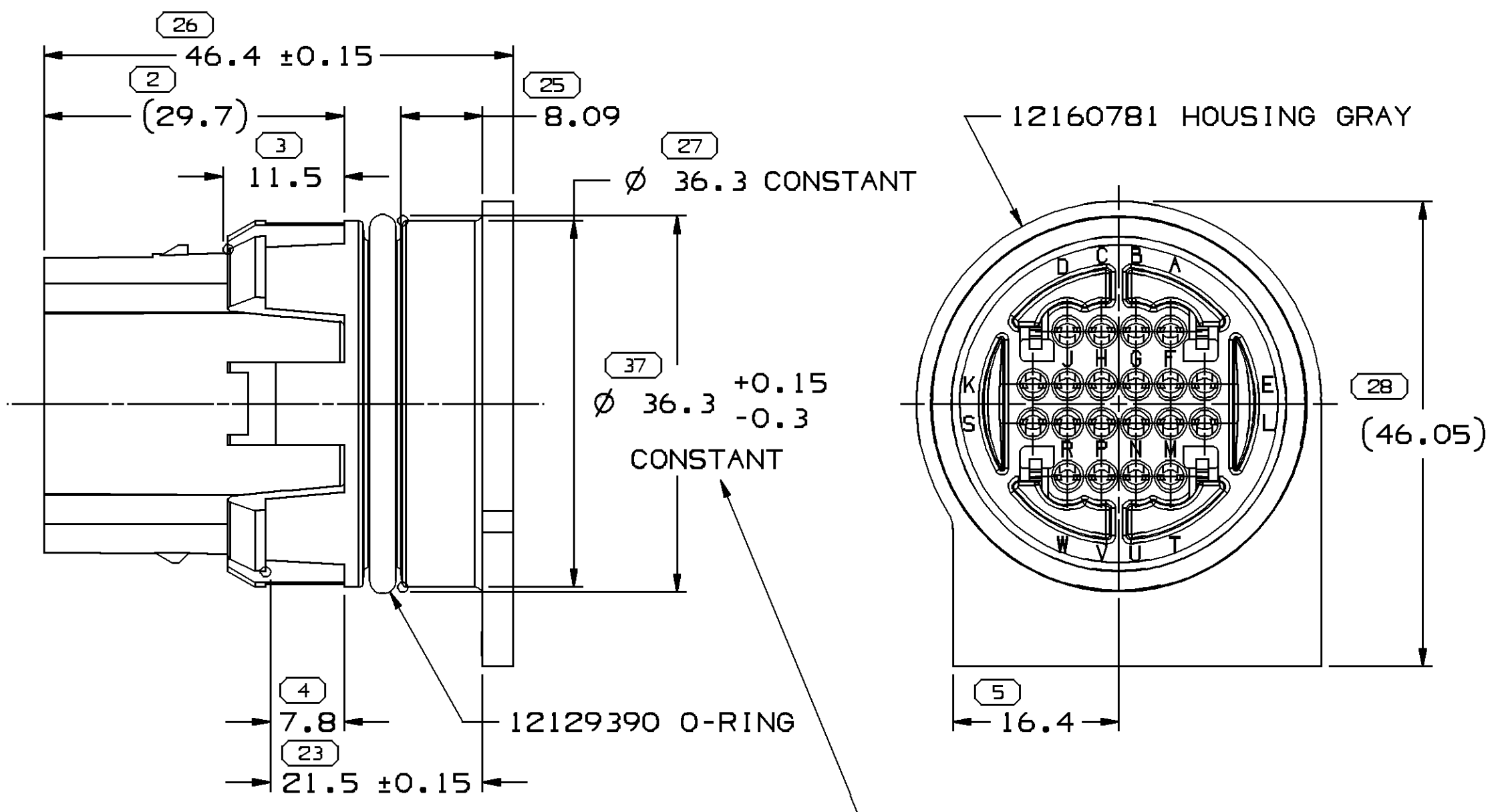
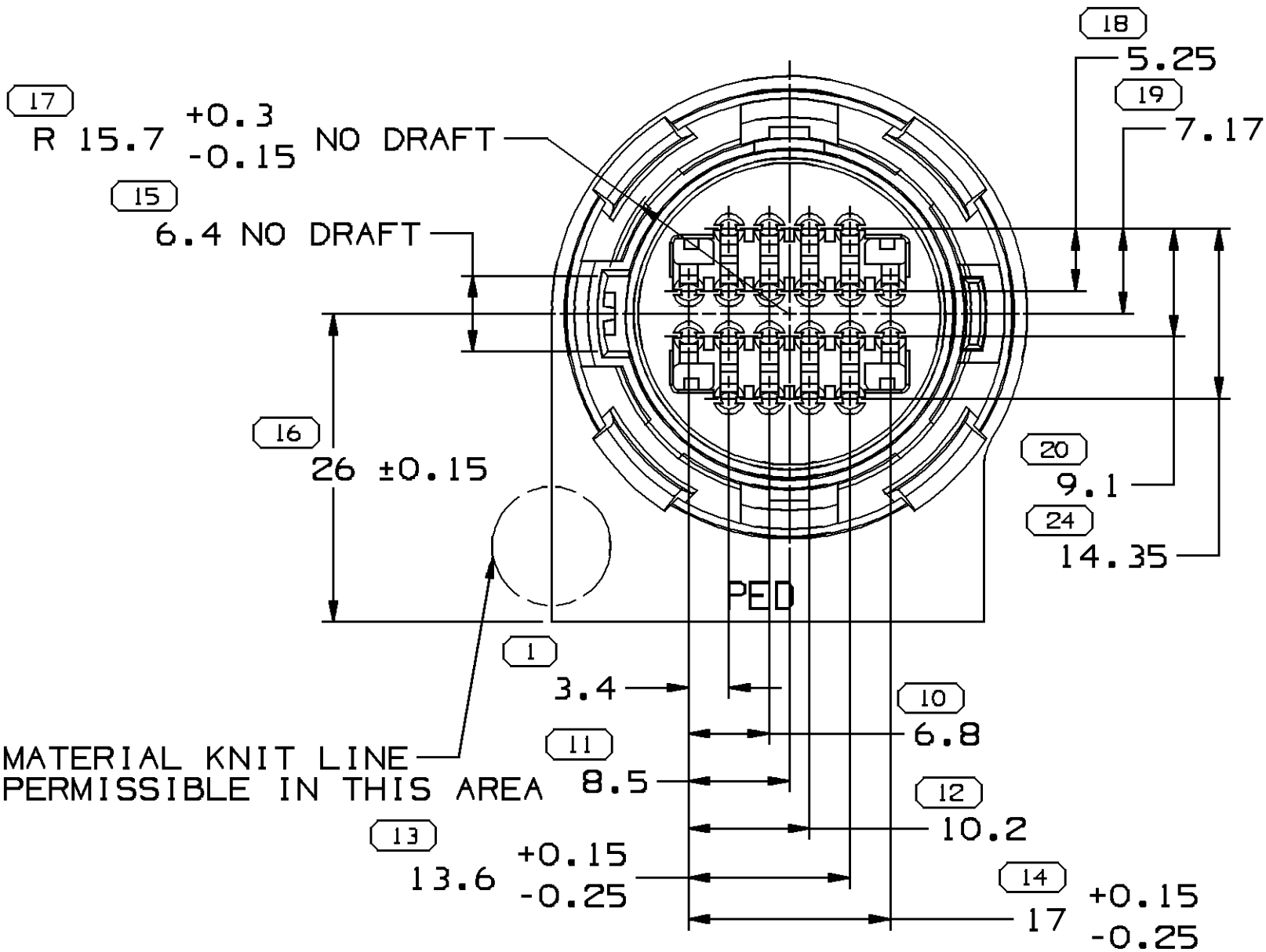
SECTION A-A  
MOUNTING HOLE DETAIL - PREFERRED  
SCALE 1:1

- NOTES
- UNLESS OTHERWISE SPECIFIED AND/OR INDICATED: DIMENSIONS ARE TO FACE OF VIEW SHOWN AND AUTOMATICALLY ROUNDED BY COMPUTER FOR INSPECTION (SEE MATH MODEL FOR PRECISE DIMENSIONS). FOR ALL OTHER DIMENSIONS NOT SHOWN BUT REQUIRED FOR TOOL BUILD, SEE MATH MODEL FOR PRECISE TOOL PATH DATA.
  - WHEN USING THIS INFORMATION FOR A NEW DESIGN, REQUEST THE LATEST COPY OF THIS PRINT FROM PACKARD ELECTRIC DIVISION.



- NOTES
- UNLESS OTHERWISE SPECIFIED AND/OR INDICATED: DIMENSIONS ARE TO FACE OF VIEW SHOWN AND AUTOMATICALLY ROUNDED BY COMPUTER FOR INSPECTION (SEE MATH MODEL FOR PRECISE DIMENSIONS). FOR ALL OTHER DIMENSIONS NOT SHOWN BUT REQUIRED FOR TOOL BUILD, SEE MATH MODEL FOR PRECISE TOOL PATH DATA.
  - MATING COMPONENTS OR EQUIVALENT: CONNECTOR 12160280
  - THIS PART ACCEPTS THE FOLLOWING COMPONENTS OR EQUIVALENT: TERMINAL LOCK/SEAL ASSIST 12146394 CAVITIES TO ACCEPT 12160552 TERMINAL OR EQUIVALENT
  - WHEN PARTS ARE SHIPPED THEY MUST BE PACKED IN PLASTIC BAGS OR SHIPPING CONTAINERS MUST BE LINED WITH PLASTIC LINERS. BAGS OR LINERS MUST BE SEALED TO AVOID ENTRY OR FOREIGN MATTER.

- HYGROSCOPIC MATERIALS ABSORB AND RELEASE MOISTURE DEPENDING ON THE RELATIVE HUMIDITY OF THE ENVIRONMENT. HYGROSCOPIC POLYMERS SUCH AS PA6 AND PA66 (NYLONS IN GENERAL) REQUIRE PROPER STORAGE AND PACKAGING. EVERY EFFORT IS MADE BY DELPHI PACKARD TO CORRECTLY PACKAGE THIS PRODUCT AT INITIAL SHIPMENT FROM THE DELPHI PRODUCING PLANT. FAILURE TO PROTECT COMPONENTS COMPOSED OF HYGROSCOPIC MATERIALS DURING SUBSEQUENT HANDLING, STORAGE AND PACKAGING, PARTICULARLY IN HIGH HUMIDITY ENVIRONMENTS CAN RESULT IN DIMENSIONAL CHANGE FOR WHICH DELPHI WILL NOT BE LIABLE.



(26) PROCESS SENSITIVE DIMENSION										
DIMENSIONS ENCLOSED IN ( ) INDICATE REFERENCE DIMENSIONS AND NO TOLERANCE LIMITS ARE ESTABLISHED										
CHART E1										
DIMENSIONAL RANGE (MM)										
FROM TO	> 0	> 20	> 30	> 70	> 100	> 150	> 200	> 250	> 300	> 400
TOLERANCE UNLESS OTHERWISE SPECIFIED	±0.15	±0.2	±0.3	±0.4	±0.5	±0.6	±0.8	±1	±1.2	
ANGULAR TOLERANCE	±2°									

DWG TYPE	PART DRAWING
STYLE	
VOLUME (C/P)	DISTR CODE
UNLESS OTHERWISE SPECIFIED THIS DOCUMENT IS IN ACCORDANCE WITH ASME Y14.5M-1994 AS AMENDED BY THE GM GLOBAL DIMENSIONING AND TOLERANCING ADDENDUM-2001. SEPARATE PATTERNS OF FEATURES MAY BE GAGED SEPARATELY REGARDLESS OF DATUM REFERENCES.	
ALL DIMENSIONS ARE IN MILLIMETERS	
THIRD ANGLE PROJECTION	DO NOT SCALE USE MATH DATA

**DELPHI**  
DELPHI PACKARD ELECTRICAL/ELECTRONIC ARCHITECTURE  
WARREN, OH

DR	DATE
APVD1 DAVE STEELE	06JN94
APVD2 DAVE STEELE	06JN94
APVD3 J. MORELLO	06JN94
APVD4	
APVD5	

SUBSTANCES OF CONCERN AND RECYCLED CONTENT PER DELPHI 10945001

MATERIAL SEE DRAWINGS

DRAWING NAME  
ASM CONN 20 M MIC/P 100W GRA MD SLD

DRAWING NUMBER  
**12160782**

SIZE	SCALE	FRAME NO	SHEET NO	STG	REV	N/P
A1	2:1	1 OF 1	1 OF 1	R	03	AA

# Mouser Electronics

Authorized Distributor

Click to View Pricing, Inventory, Delivery & Lifecycle Information:

[Aptiv:](#)

[12160782](#)