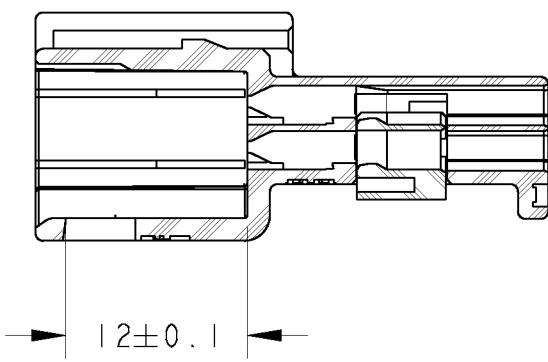
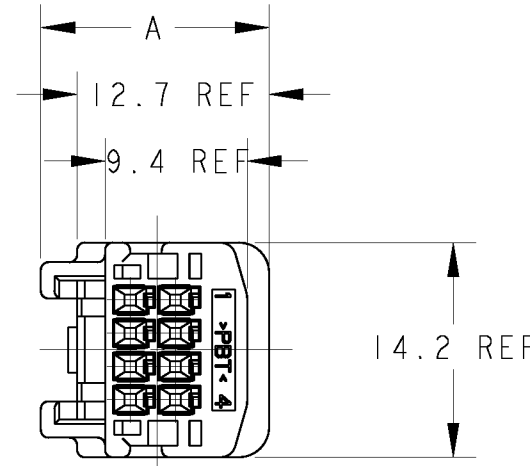
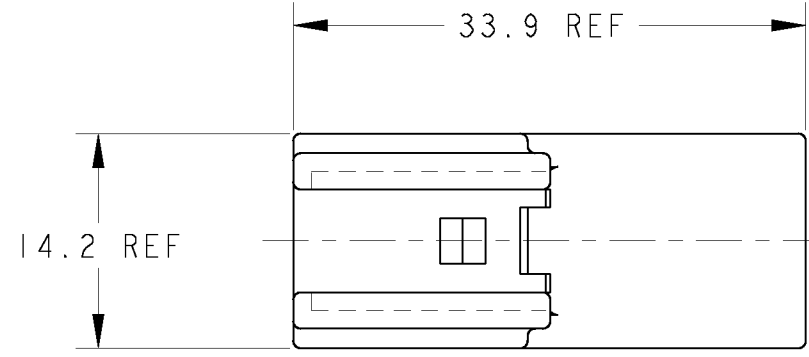
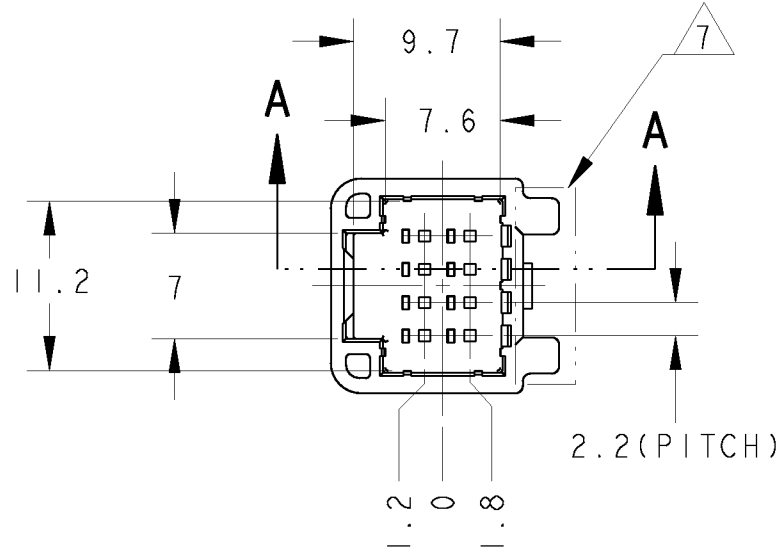
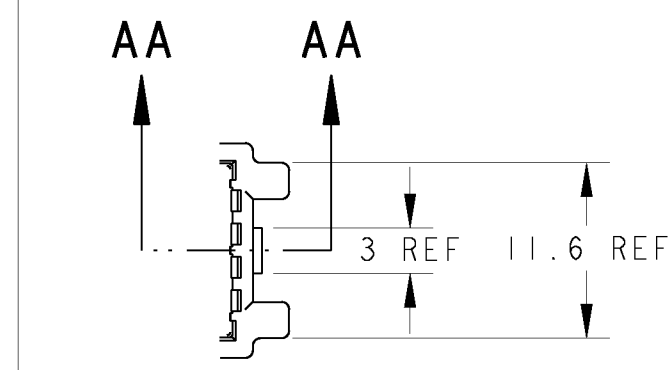
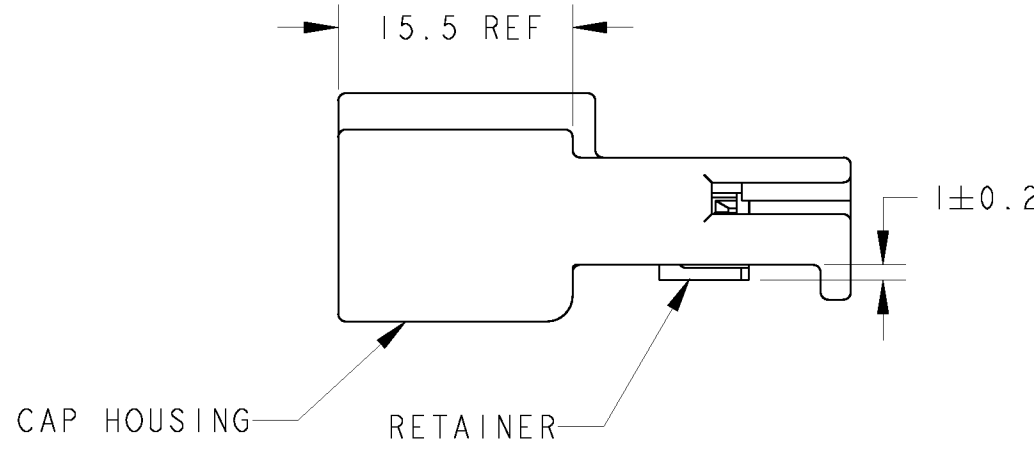


THIS DRAWING IS UNPUBLISHED. RELEASED FOR PUBLICATION 2002.2.6  
 (C) COPYRIGHT 2002.2.6 ALL RIGHTS RESERVED.

| LOC |     | DIST                      |  | REVISIONS |     |      |  |
|-----|-----|---------------------------|--|-----------|-----|------|--|
| P   | LTR | DESCRIPTION               |  | DATE      | DWN | APVD |  |
|     | B2  | REVISED PER ECO-11-005140 |  | 09APR2011 | RK  | HMR  |  |

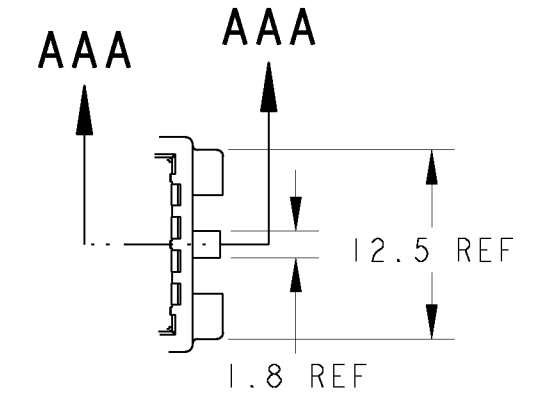


A-A



AA-AA

PANEL LOCK TYPE A



AAA-AAA

PANEL LOCK TYPE B

|                         |          |          |
|-------------------------|----------|----------|
| DIMENSION B<br>寸法B      | 14.7 REF | 16 REF   |
| DIMENSION A<br>寸法A      | 15.1 REF | 16.4 REF |
| PANEL LOCK<br>パネル・ロック形状 | TYPE A   | TYPE B   |

1. RETAINER SHOULD BE SET TO THE CAP HOUSING WHEN SHIPPED TO THE CUSTOMER
  2. RETAINER MUST BE OUT SIDE OF CAP HOUSING AT PRE-ASSEMBLY
  3. INSTRUCTION SHEET NO.411-78011.
  4. PART NUMBER OF PLUG HOUSING TO BE MATED; SEE TABLE-1
  5. APPLICABLE TERMINAL; TABLE-2
  6. RECOMMENDED MATING PANEL LOCK; SEE SHEET 2 OF 2
- △. 2 PANEL LOCK FORM.

1. キャップハウジングにリテーナを仮係止して出荷される。
  2. 仮係止時、リテーナがハウジングの外側に出ている。
  3. 取扱説明書NO.411-78011
  4. 嵌合型番; TABLE-1参照
  5. 適用端子; TABLE-2参照
  6. パネルロック推奨嵌合相手形状; SHEET 2 OF 2参照
- △. パネルロック形状は、2種類ある。

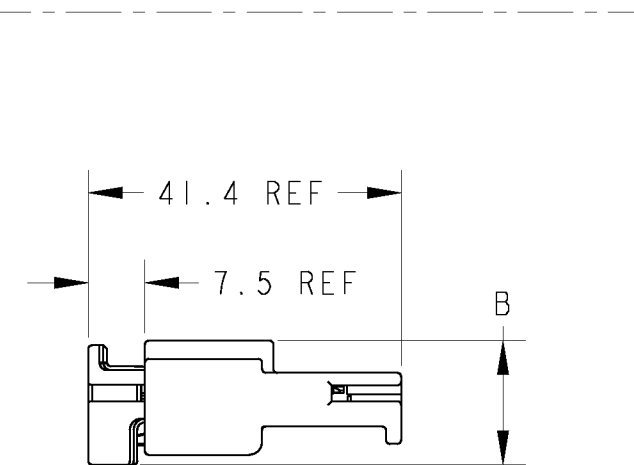
TABLE - 1

| POS<br>極数 | TERMINATION<br>TYPE<br>結線方式 | PLUG ASSEMBLY<br>PART NO.<br>嵌合相手型番 |
|-----------|-----------------------------|-------------------------------------|
| 8         | CRINP                       | 1376352                             |

TABLE - 2

| TYPE<br>端子種類  | FINISH | APPLICABLE<br>TERMINAL PN | APPLICABLE WIRE RANGE<br>適用電線                     |
|---------------|--------|---------------------------|---|
| SIGNAL<br>025 | TIN    | 1674742-1                 | AVSS/CAVS/CAVUS/AVSSH-f<br>0.3~0.5mm <sup>2</sup> |

|                       |                     |                         |            |           |
|-----------------------|---------------------|-------------------------|------------|-----------|
| PLASTIC BAG<br>ビニール袋  | PAPER BOX<br>ダンボール箱 | TYPE B                  | NATURAL    | 1565804-2 |
| PLASTIC BAG<br>ビニール袋  | PAPER BOX<br>ダンボール箱 | TYPE A                  | NATURAL    | 1565804-1 |
| INNER<br>内装           | OUTER<br>外装         | PANEL LOCK<br>パネル・ロック形状 | COLOR<br>色 | PN<br>型番  |
| PACKING STYLE<br>梱包形態 |                     |                         |            |           |



ENGAGEMENT VIEW  
嵌合状態  
SCALE 1:1

THIS DRAWING IS A CONTROLLED DOCUMENT.

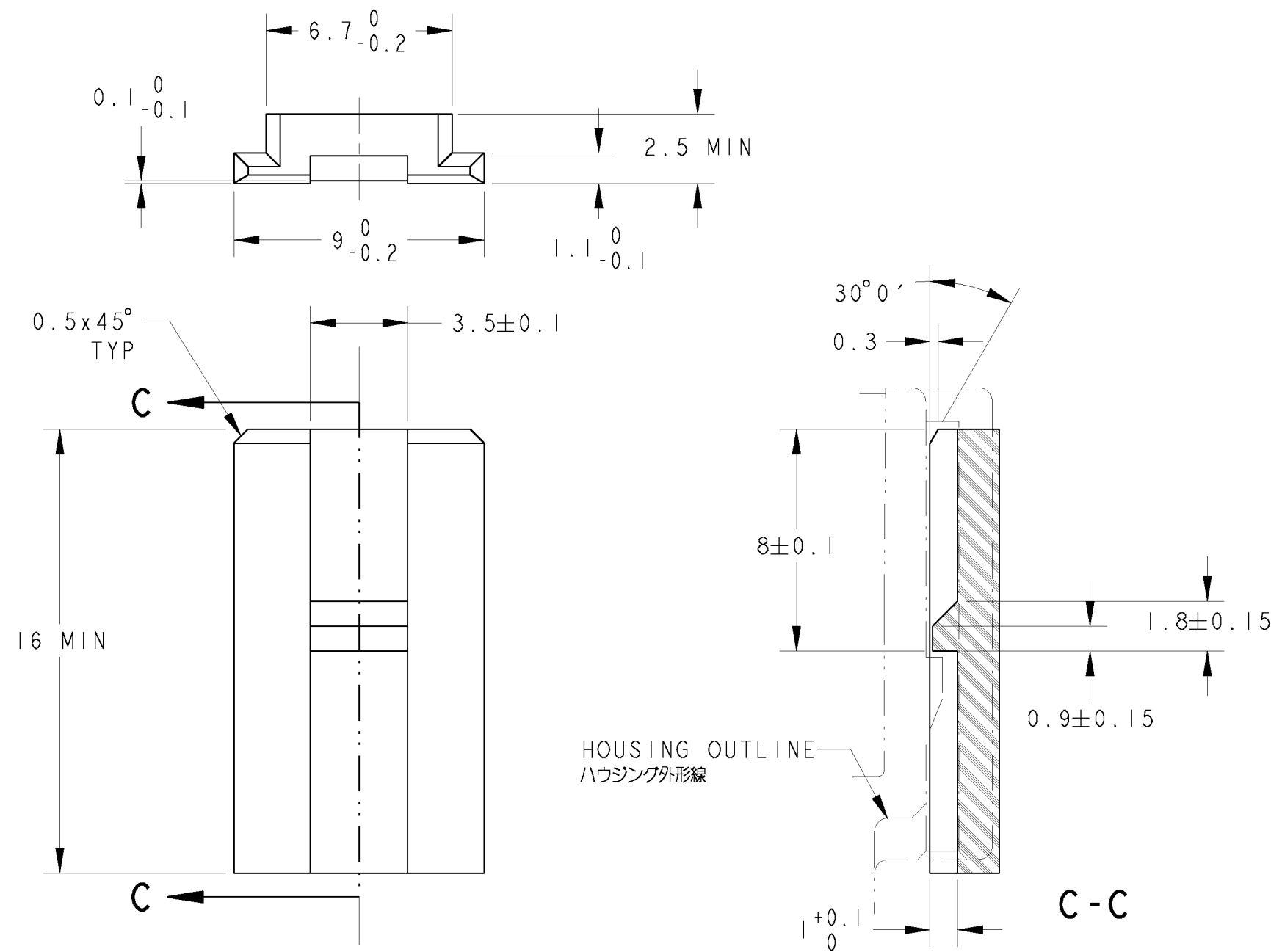
|                   |  |                              |  |
|-------------------|--|------------------------------|--|
| DIMENSIONS:<br>mm | TOLERANCES UNLESS OTHERWISE SPECIFIED:<br>±0.3 | DWN<br>Y. MITO 6FEB02        | TE Connectivity<br>025 G W-W CONNECTOR<br>8POSITION CAP HOUSING ASSEMBLY |
|                   | 0-PLC ±  | CHK<br>T. KOHNO 6FEB02       |  |
|                   | 1-PLC ±0.5                                     | APVD<br>N. SAI 6FEB02        |  |
|                   | 2-PLC ±0.13                                    | PRODUCT SPEC<br>108-5787     |  |
| MATERIAL<br>PBT   | 3-PLC ±0.013                                   | APPLICATION SPEC<br>114-5340 | SIZE<br>A200779  |
|                   | 4-PLC ±0.001                                   | WEIGHT<br>3.1 g              | DRAWING NO<br>C-1565804  |
|                   | ANGLES<br>±3°00'                               | CUSTOMER DRAWING             | RESTRICTED TO<br>REV B2  |

SCALE 2:1 SHEET 1 OF 2

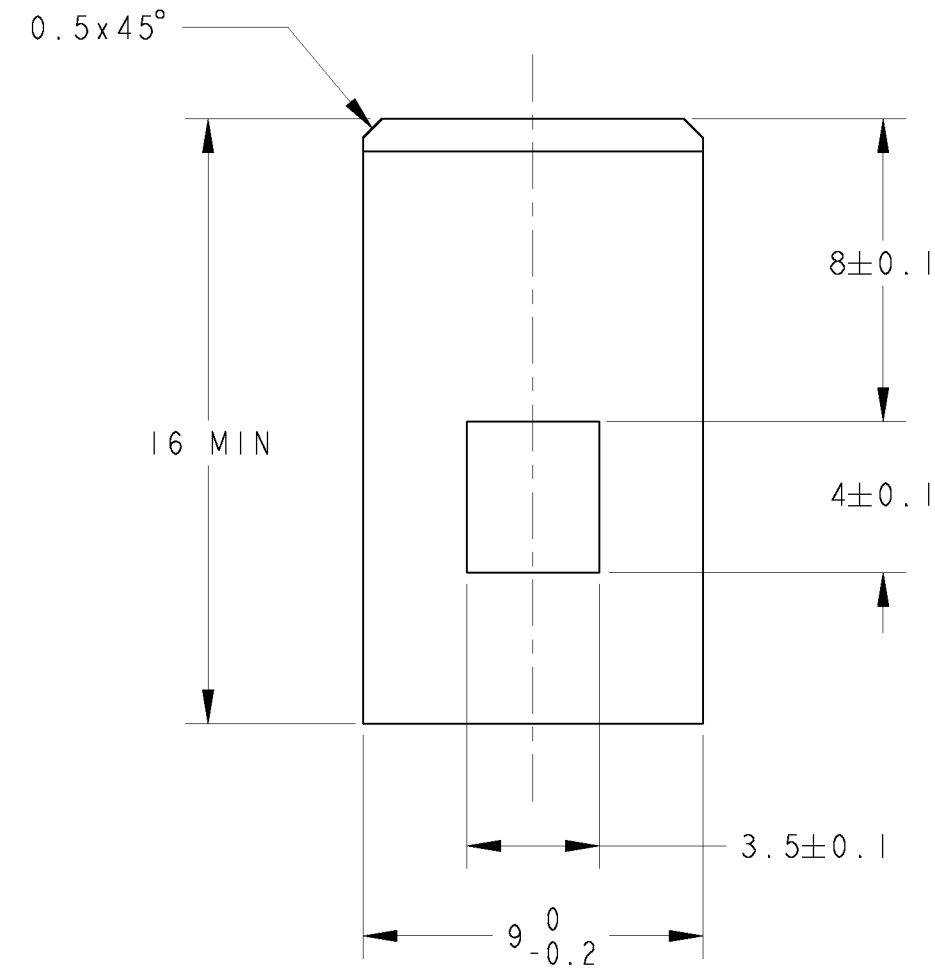
THIS DRAWING IS UNPUBLISHED. RELEASED FOR PUBLICATION  
 © COPYRIGHT - ALL RIGHTS RESERVED.

| LOC |     | DIST        |      | REVISIONS |      |  |  |
|-----|-----|-------------|------|-----------|------|--|--|
| P   | LTR | DESCRIPTION | DATE | DWN       | APVD |  |  |
| -   | -   | SEE SHEET 1 | -    | -         | -    |  |  |

MATING TO TYPE A

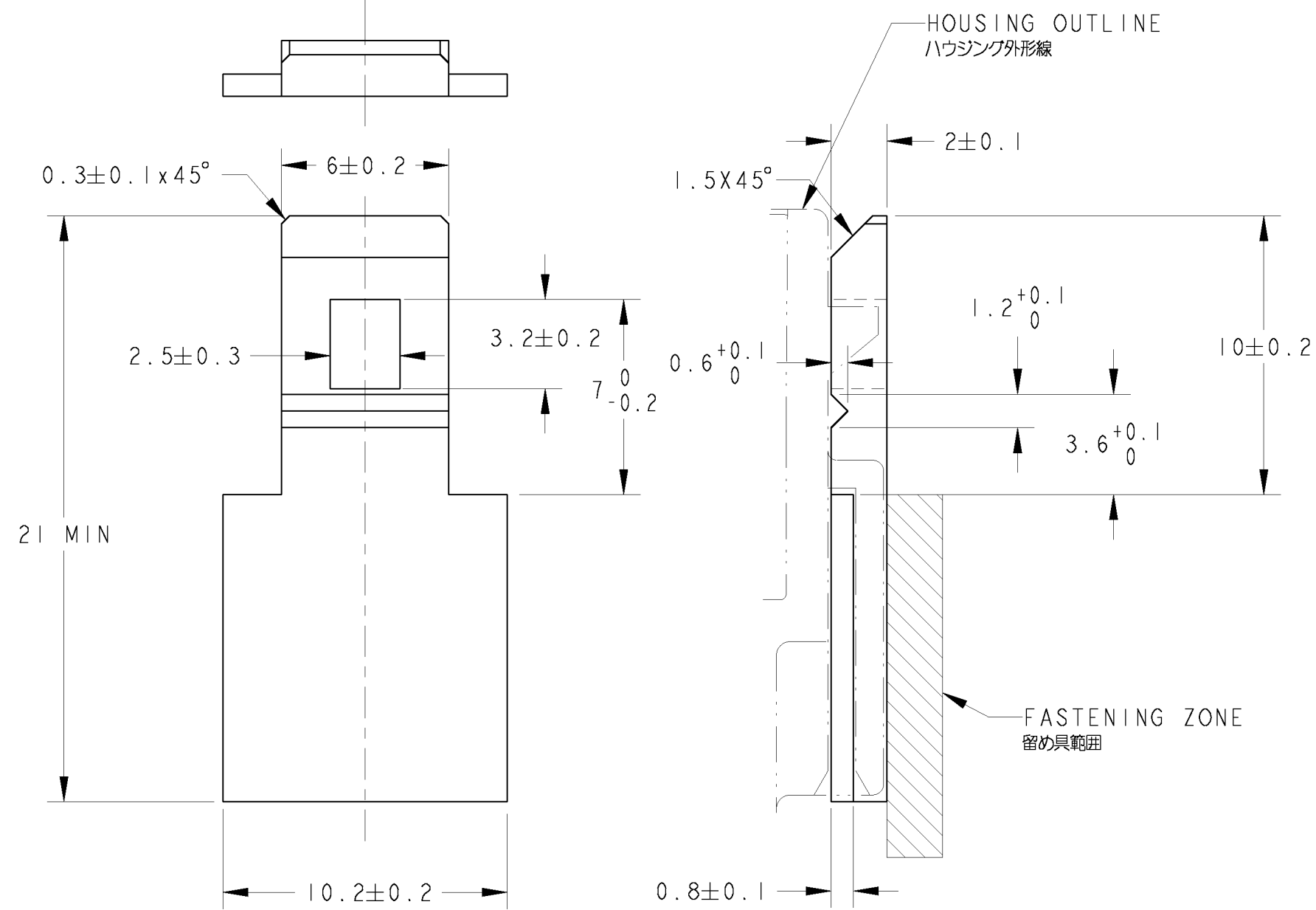


MATERIAL: PLASTIC 材料: 樹脂



MATERIAL: METAL 材料: 金属

MATING TO TYPE B



MATERIAL: PLASTIC 材料: 樹脂

|  |  |                            |                                |                     |   |
|--|--|----------------------------|--------------------------------|---------------------|---|
| THIS DRAWING IS A CONTROLLED DOCUMENT.   |  | DWN<br>N. YASUDA           | 23APR02                        | <br>TE Connectivity | NAME<br>025 G W-W CONNECTOR<br>8POSITION CAP HOUSING ASSEMBLY |
| DIMENSIONS:<br>mm  |  | CHK<br>I. KOHNO            | 23APR02                        |                     |   |
| TOLERANCES UNLESS OTHERWISE SPECIFIED:<br>±0.15  |  | APVD<br>N. SAI             | 23APR02                        |                     |   |
| 0-PLC ±<br>1-PLC ±0.5<br>2-PLC ±0.13<br>3-PLC ±0.013<br>4-PLC ±0.0001<br>ANGLES ±3°00'<br>FINISH |  | PRODUCT SPEC<br>SEE 1 OF 2 | APPLICATION SPEC<br>SEE 1 OF 2 |                     |   |
| MATERIAL<br>SEE NOTE   |  | WEIGHT<br>SEE 1 OF 2       | CUSTOMER DRAWING               | SIZE<br>A200779     | CAGE CODE<br>C-1565804  |
|  |  |                            |                                | RESTRICTED TO       |   |
|  |  |                            |                                | SCALE<br>2:1        | SHEET<br>2 OF 2   |
|  |  |                            |                                | REV<br>B2           |   |

# Mouser Electronics

Authorized Distributor

Click to View Pricing, Inventory, Delivery & Lifecycle Information:

[TE Connectivity:](#)

[1565804-1](#)